



AIR HANDLERS

**CBA25UHV**

MERIT® Series

R-410A - Upflow / Horizontal - Variable Speed - 60 Hz

RESIDENTIAL  
PRODUCT SPECIFICATIONS

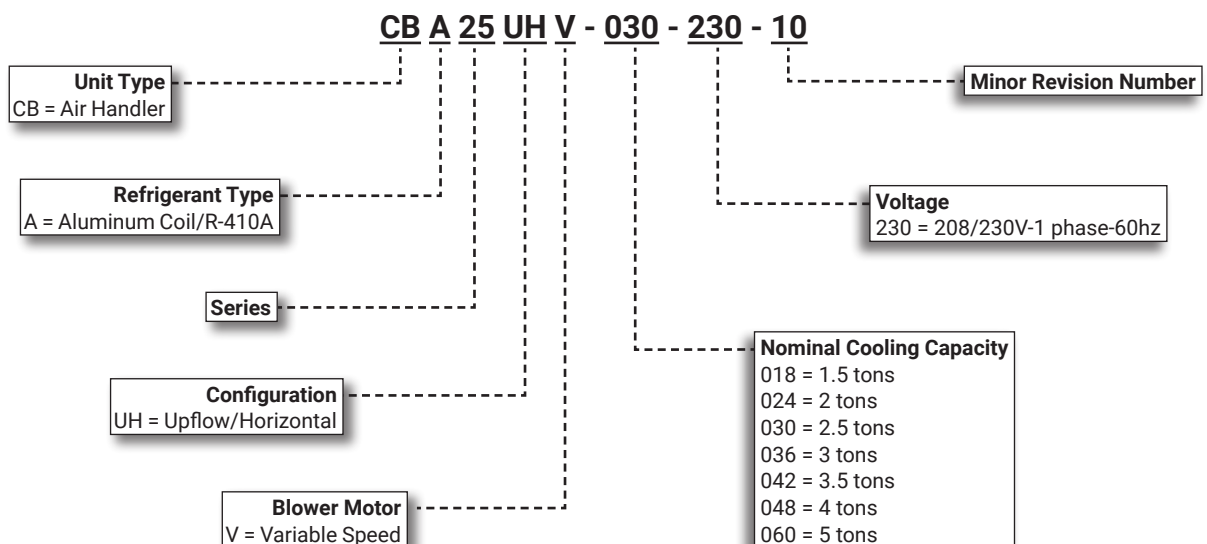
Bulletin No. 210866  
August 2019  
Supersedes March 2019

**MERIT**®  
SERIES



**Nominal Capacity - 1.5 to 5 Tons**  
**Optional Electric Heat - 5 to 20 kW**

**MODEL NUMBER IDENTIFICATION**



## FEATURE HIGHLIGHTS

1. Quantum™ Coil
2. Refrigerant Line Connections
3. Check and Expansion Valve
4. Programmable Variable Blower Motor
5. Heavy Gauge Steel Cabinet
6. Anti-Microbial Dual Position Drain Pans
7. Air Filter
8. Transformer and Blower Relay
9. Electric Heat (option)



## CONTENTS

|  |    |
|--|----|
| Approvals and Warranty . . . . .                     | 3  |
| Blower Data . . . . .                                | 8  |
| Dimensions - Accessories . . . . .                   | 22 |
| Dimensions - Unit . . . . .                          | 20 |
| Electrical Data . . . . .                            | 7  |
| Electric Heat Data . . . . .                         | 15 |
| Features . . . . .                                   | 3  |
| Installation Clearances With Electric Heat . . . . . | 6  |
| Optional Accessories - Order Separately . . . . .    | 7  |
| Specifications . . . . .                             | 7  |

## APPROVALS AND WARRANTY

### APPROVALS

- Tested with matching air conditioners and heat pump units in the Lennox Research Laboratory environmental test room in accordance with AHRI Standard 210/240
- AHRI Certified system match-ups and expanded ratings, visit [www.LennoxPros.com](http://www.LennoxPros.com)
- ETL Listed to US and Canadian safety standards and components within are bonded for grounding to meet safety standards for servicing required by NEC and CEC
- Optional electric heaters are ETL listed and rated in accordance with US Department of Energy (DOE) test procedures and Federal Trade Commission (FTC) labeling regulations
- Blower performance data according to unit tests conducted in Lennox air test chamber
- Approved for installation in manufactured housing and mobile homes
- ISO 9001 Registered Manufacturing Quality System

### WARRANTY

- All covered components
  - Limited five years in residential applications
  - Limited one year in non-residential applications

**NOTE** - Refer to Lennox Equipment Limited Warranty certificate included with unit for specific details.

## FEATURES

### APPLICATIONS

- 1.5 to 5 ton nominal sizes
- Upflow or horizontal applications

**NOTE** - Downflow applications require optional conversion kit.

- Applicable to R-410A expansion valve systems in cooling applications and check and expansion valve systems in heat pump applications
- Wide-range check and expansion valve is factory installed
- Optional field installed electric heaters available in several sizes for additive heating capacity

### ZONING APPLICATIONS

- Units can be used with certain zoning systems
- Zone control panel MUST be able to interface and communicate with the variable speed motor in the unit
- Lennox Harmony III™ Zoning System has this capability

### REFRIGERANT SYSTEM

- 1 Quantum™ Coil**
  - Lennox designed and fabricated coil
  - Enhanced aluminum alloy tube/enhanced fin coil for superior corrosion resistance
  - Aluminum tubing, hairpins, distributor and header tubes.
  - Ripple-edged aluminum fins
  - Twin coil construction assembled in a "A" configuration for large surface area
  - Provides excellent heat transfer and low air resistance for maximum efficiency
  - Precise circuiting for uniform refrigerant distribution
  - Lanced fins provide maximum exposure of fin surface to air stream
  - Rifled tubing provides superior heat transfer

- Coil thoroughly factory tested under high pressure to ensure leakproof construction

- 2 Refrigerant Line Connections**

- Copper refrigerant sweat connections on both liquid and suction lines for easy brazing
- Lines extend outside of the cabinet for ease of connection
- See dimension drawings for locations

- 3 Check and Expansion Valve**

- For use with R-410A systems
- Wide range valve with Chatleff style fitting
- Factory installed on all models, internal to cabinet

### BLOWER

- 4 Programmable Variable Speed Blower Motor**

- High efficiency
- Maintains specified air volumes up to a maximum of 0.8 in. w.g. total external static
- Programmable operation is achieved by the use of an ECM (Electronically Commutated Motor) motor
- Allows cooling ramping profiles (field selectable) for enhanced dehumidification
- Motor accelerates and decelerates gradually, reducing start-up and shut-down sound
- Leadless blower motor features simple plug-in connections
- Motor is controlled by BDC3 Electronic Blower Control that allows blower to operate at two of eight air volumes or speeds available
- Blower speeds may be field selected on blower control depending on size of air handler and air volume desired



## FEATURES

### **BLOWER (continued)**

#### Blower Assembly

- Each blower is statically and dynamically balanced as an assembly before installation in the unit
- Blower motor is resiliently mounted to blower assembly
- Blower slides out of cabinet for servicing

### **CONTROLS**

#### BDC3 Electronic Blower Control

- Controls evaporator humidity by controlling blower and compressor staging on two-stage outdoor units
  - **Two Stages** - HEAT and COOL (with four different air volume selections for each) are made by simple jumper pins on board
  - ADJUST jumper pin allows approximately 10% higher, normal or 10% lower motor speed selection within HEAT and COOL speeds selected for fine tuning air volume
  - DELAY jumper pin allows selection of four different blower motor de-humidification profiles during cooling mode:
    - **Option 1** - Motor runs at 100% of capacity until demand met. Once demand is met, motor ramps down to stop.
    - **Option 2** - Motor runs at 100% until demand is met. Once demand is satisfied, motor runs at 100% for 60 seconds then ramps down to stop
    - **Option 3** - Motor runs at 82% of capacity for approximately 7-1/2 minutes, then 100% capacity (if needed) until demand is satisfied. Once demand is met, motor ramps down to stop
    - **Option 4** - Motor runs at 50% capacity for 30 seconds, then 82% capacity for approximately 7-1/2 minutes. If demand is not satisfied, motor runs at 100% capacity until demand is met. Once demand is met, motor runs at 50% capacity for 30 seconds, then ramps down to stop
  - Two diagnostic indicator lights, "CFM" and "RUN" assist in servicing
  - Control is factory installed in the unit control box
- 5 Transformer and Blower Relay for Electric Heat**
- 24 volt transformer and blower relay for electric heat furnished as standard
  - Factory installed in the unit control box
  - Terminal strip furnished

### **CONTROLS (continued)**

#### Optional Accessories

#### iComfort® M30 Smart Wi-Fi Thermostat

- Wi-Fi-enabled, electronic 7-day, universal, multi-stage, programmable, touchscreen thermostat
- 4 Heat/2 Cool
- Auto-changeover
- Dual-fuel control with optional outdoor sensor
- Controls dehumidification during cooling mode and humidification during heating mode
- Offers enhanced capabilities including humidification / dehumidification / dewpoint measurement and control, Humiditrol® control, and equipment maintenance reminders
- Easy to read 4.3 in. color touchscreen (measured diagonally)
- LCD display with backlight shows the current and set temperature, time, inside relative humidity, system status (operating mode and schedules) and outside temperature (optional outdoor sensor required)
- Smooth Setback Recovery starts system early to achieve setpoint at start of program period
- Compressor short-cycle protection (5 minutes)
- Up to four separate schedules are available plus Schedule IQ™
- One-Touch Away Mode - A quick and easy way to set the cooling and heating setpoints while away
- Smart Away™ - Uses geo-fencing technology to determine when the homeowner is within a predetermined distance from the home to operate the system when leaving, away and arriving
- Wi-Fi remote monitoring and adjustment through a home wireless network for desktop PCs, laptops and apps for smartphones or tablets
- Smart home automation compatible with Amazon Alexa®, Google Assistant and IFTTT

**NOTE** - See the iComfort® M30 Smart Wi-Fi Thermostat Product Specifications bulletin in the Controls section for more information.

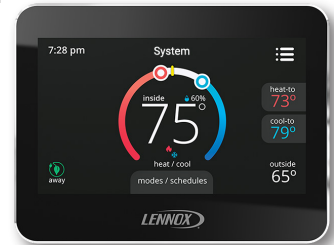
#### Remote Outdoor Temperature Sensor

- Used with the iComfort® M30 Smart Thermostat
- Outdoor sensor allows thermostat to display outdoor temperature

**NOTE** - Sensor is required for the Enhanced Dehumidification Accessory (EDA).

#### Thermostat

- Thermostat is not furnished with unit
- Lennox Price Book for selection



## FEATURES

### **CABINET**

- 6 • Constructed of heavy gauge galvanized steel
- Pre-painted cabinet finish
- Completely insulated with foil faced fiberglass insulation
- Removable panels provide complete service access
- Filter access door for easy filter replacement
- Thumbscrews hold filter door in place
- Electrical inlets provided in sides and top of cabinet
- See dimension drawing for locations
- Plugs in cabinet for drain connections for upflow (left and right) and horizontal applications
- See dimension drawing

#### **Low Leakage Cabinet**

- All models have less than 2% air leakage and meet ANSI/ASHRAE Standard 193-2010 "Method of Test for Determining the Air Tightness of HVAC Equipment"

#### **Upflow/Horizontal Capability (Optional Downflow)**

- Shipped for upflow and horizontal left-hand discharge
- May be field converted to horizontal right-hand air discharge by repositioning horizontal drain pan
- Optional downflow kit required for field conversion

### 7 **Anti-Microbial Dual Position Drain Pans**

- Anti-Microbial additive resists growth of mold and mildew on drain pan which improves indoor air quality and reduces drain line blockage
- Drain pans designed for upflow or horizontal applications
- Deep, corrosion resistant high temperature engineered polymer drain pans have dual pipe drains
- See dimension drawing

### **Optional Accessories**

#### **Downflow Conversion Kit**

- Required for field conversion to downflow position
- Kit consists of insulated downflow drain pan, insulated drain pan drip shields, coil drip shields, seal plates and support brackets for repositioning coil and drain pan

#### **Horizontal Support Frame Kit**

- Provides support of unit in horizontal applications
- Consists of (2) 1 x 1-1/2 x 32-5/8 in. and (2) 1 x 3 x 53-7/8 in. painted heavy gauge cold rolled steel support channels with assembly and suspending holes
- Bolts and nuts furnished for field assembly
- Suspending rods must be field provided

#### **Side Return Unit Stand (Upflow Only)**

- Raises unit 16 in. above floor for side return air duct connection
- Eliminates need for wooden platform construction
- All aluminum construction
- Two adjustable frames fit all sizes

#### **Wall Hanging Bracket Kit (Upflow Only)**

- Allows unit to be hung on wall at any height
- Consists of heavy-gauge steel support brackets (one for air handler, one for wall mount)
- Screws furnished for fastening one bracket to unit
- Bolts for fastening one bracket to wall are field provided

#### **High Performance Economizer (Commercial Applications Only)**

- Designed for applications requiring outdoor air to be utilized in a commercial HVAC system
- Allows the entry of fresh outdoor air for free cooling, reducing the requirement for mechanical cooling
- Heavy gauge galvanized steel cabinet lined with thick fiberglass insulation
- Mixed air sensor, outdoor air sensor and 24VAC transformer furnished
- Approved for California Title 24 building standards
- ASHRAE 90.1-2010 compliant
- See separate Product Specifications bulletin for additional information and available control and sensor options

### **FILTER**

- 8 • Disposable 1 inch filter is furnished
- Filter rack furnished in cabinet for easy filter installation
- See Specifications tables for filter sizes

## FEATURES

### OPTIONAL ELECTRIC HEAT

- 9 • ETL listed
- Field install internal to unit cabinet
- Available in several kW sizes
- See Electric Heat tables
- Helix wound nichrome heating elements exposed directly in air stream resulting in instant heat transfer, low element temperatures and long service life
- Each element equipped with accurately located limit control with fixed temperature off setting and automatic reset
- Thermal sequencer relay brings elements on and off line, in sequence and equal increments, with time delay between each
- Initiates and terminates blower operation
- Heating control relay(s) furnished as standard
- Factory assembled with controls installed and wired
- Electric heat control wiring plugs into mating connector on air handler unit

### Circuit Breaker (CB) Models

- All "CB" model heaters are equipped with circuit breakers for overload and short circuit protection
- Factory wired and mounted on electric heat unit
- Current sensitive and temperature actuated
- Manual reset
- Flexible plastic circuit breaker cover protects circuit breaker in areas with high humidity or unconditioned areas to prevent nuisance tripping
- Circuit breakers qualify as disconnect means at unit in many areas, eliminate the need for field provided disconnect
- Consult local electrical code in your area

### Optional Accessories

#### Single-Point Power Source Control Box

- Control Box may be used with optional electric heat when single power supply is connected to multi-circuit electric heat
- Field installs external to the unit cabinet on either side or top
- Constructed of heavy gauge steel, baked enamel finish, prepunched mounting holes, electrical inlet knockouts, and terminal strip
- Removeable cover provides easy access
- Dimensions (H x W x D) - 7 x 7 x 4 in.

### **INSTALLATION CLEARANCES WITH ELECTRIC HEAT**

|                                       |                           |
|---------------------------------------|---------------------------|
| Cabinet                               | 0 inch (0 mm)             |
| To Plenum                             | 0 inch (0 mm)             |
| To Outlet Duct within 3 feet (914 mm) | 0 inch (0 mm)             |
| Floor                                 | 0 inch (0 mm) See Note #1 |
| Service / Maintenance                 | See Note #2               |

<sup>1</sup> Units installed on combustible floors in the downflow position with electric heat do not require a downflow combustible flooring base.

<sup>2</sup> Front service access - 24 inches (610 mm) minimum.

NOTE - If cabinet depth is more than 24 inches (610 mm), allow a minimum of the cabinet depth plus 2 inches (51 mm).

### **REPLACEMENT CIRCUIT BREAKERS**

| Voltage            | Description    | Catalog No.  |
|--------------------|----------------|--------------|
| 208/240V - 1 Phase | 25 amp, 2 pole | <b>41K13</b> |
|                    | 30 amp, 2 pole | <b>17K70</b> |
|                    | 35 amp, 2 pole | <b>72K07</b> |
|                    | 40 amp, 2 pole | <b>49K14</b> |
|                    | 45 amp, 2 pole | <b>17K71</b> |
|                    | 50 amp, 2 pole | <b>41K12</b> |
|                    | 60 amp, 2 pole | <b>17K72</b> |

## SPECIFICATIONS

| General Data                    |                                       | Model Number    | CBA25UHV-018 | CBA25UHV-024 | CBA25UHV-030 | CBA25UHV-036 |
|---------------------------------|---------------------------------------|-----------------|--------------|--------------|--------------|--------------|
|                                 |                                       | Nominal tonnage | 1.5          | 2            | 2.5          | 3            |
| Connections                     | Suction/Vapor line (o.d.) - in. sweat |                 | 3/4          | 3/4          | 3/4          | 7/8          |
|                                 | Liquid line (o.d.) - in. sweat        |                 | 3/8          | 3/8          | 3/8          | 3/8          |
|                                 | Condensate - in. fpt                  |                 | (2) 3/4      | (2) 3/4      | (2) 3/4      | (2) 3/4      |
| Indoor Coil                     | Net face area - ft. <sup>2</sup>      |                 | 3.30         | 3.77         | 4.72         | 5.66         |
|                                 | Tube outside diameter - in.           |                 | 3/8          | 3/8          | 3/8          | 3/8          |
|                                 | Number of rows                        |                 | 3            | 3            | 3            | 3            |
|                                 | Fins per inch                         |                 | 15           | 15           | 15           | 15           |
| Blower                          | Wheel nominal diameter x width - in.  |                 | 9 x 6        | 9 x 6        | 10 x 8       | 10 x 8       |
|                                 | Blower motor output - hp              |                 | 1/2          | 1/2          | 1/2          | 1/2          |
| <sup>1</sup> Filters            | Size of filter - in.                  |                 | 15 x 20 x 1  | 15 x 20 x 1  | 15 x 20 x 1  | 18 x 20 x 1  |
| Shipping Data -1 package - lbs. |                                       |                 | 129          | 136          | 143          | 169          |

## ELECTRICAL DATA

|   |  |          |          |          |          |
|---|--|----------|----------|----------|----------|
| Voltage - 1 phase (60 hz)                               |  | 208/230V | 208/230V | 208/230V | 208/230V |
| <sup>2</sup> Maximum overcurrent protection (unit only) |  | 15       | 15       | 15       | 15       |
| <sup>3</sup> Minimum circuit ampacity (unit only)       |  | 4.9      | 4.9      | 4.9      | 4.9      |
| Blower Motor Full Load Amps                             |  | 3.9      | 3.9      | 3.9      | 3.9      |

## SPECIFICATIONS

| General Data                    |                                       | Model Number    | CBA25UHV-042 | CBA25UHV-048 | CBA25UHV-060 |
|---------------------------------|---------------------------------------|-----------------|--------------|--------------|--------------|
|                                 |                                       | Nominal tonnage | 3.5          | 4            | 5            |
| Connections                     | Suction/Vapor line (o.d.) - in. sweat |                 | 7/8          | 7/8          | 7/8          |
|                                 | Liquid line (o.d.) - in. sweat        |                 | 3/8          | 3/8          | 3/8          |
|                                 | Condensate - in. fpt                  |                 | (2) 3/4      | (2) 3/4      | (2) 3/4      |
| Indoor Coil                     | Net face area - ft. <sup>2</sup>      |                 | 5.66         | 6.13         | 7.08         |
|                                 | Tube outside diameter - in.           |                 | 3/8          | 3/8          | 3/8          |
|                                 | Number of rows                        |                 | 3            | 3            | 3            |
|                                 | Fins per inch                         |                 | 15           | 15           | 15           |
| Blower                          | Wheel nominal diameter x width - in.  |                 | 10 x 8       | 12 x 10      | 12 x 10      |
|                                 | Blower motor output - hp              |                 | 1            | 1            | 1            |
| <sup>1</sup> Filters            | Size of filter - in.                  |                 | 18 x 20 x 1  | 18 x 20 x 1  | 18 x 20 x 1  |
| Shipping Data -1 package - lbs. |                                       |                 | 169          | 179          | 190          |

## ELECTRICAL DATA

|   |  |          |          |          |
|---|--|----------|----------|----------|
| Voltage - 1 phase (60 hz)                               |  | 208/230V | 208/230V | 208/230V |
| <sup>2</sup> Maximum overcurrent protection (unit only) |  | 15       | 15       | 15       |
| <sup>3</sup> Minimum circuit ampacity (unit only)       |  | 6.5      | 8.6      | 8.6      |
| Blower Motor Full Load Amps                             |  | 6.9      | 6.9      | 6.9      |

<sup>1</sup> Disposable filter.

<sup>2</sup> HACR type circuit breaker or fuse.

<sup>3</sup> Refer to National or Canadian Electrical Code manual to determine wire, fuse and disconnect size requirements. Use wires suitable for at least 167°F.

## OPTIONAL ACCESSORIES - ORDER SEPARATELY

| Model   | -018       | -024<br>-030 | -036  | -042<br>-048<br>-060 |
|---|------------|--------------|-------|----------------------|
| iComfort® M30 Smart Wi-Fi Thermostat                      | 15Z69      | 15Z69        | 15Z69 | 15Z69                |
| Remote Outdoor Temperature Sensor                         | X2658      | X2658        | X2658 | X2658                |
| Downflow Conversion Kit                                   | Y9658      | Y9658        | Y9659 | Y9659                |
| Electric Heat - See Electric Heat Data Tables             | 5 to 20 kW |              |       |                      |
| Horizontal Support Frame Kit                              | 56J18      | 56J18        | 56J18 | 56J18                |
| Side Return Unit Stand (Upflow Only)                      | 45K32      | 45K32        | 45K32 | 45K32                |
| Single-Point Power Source Control Box (for Electric Heat) | 21H39      | 21H39        | 21H39 | 21H39                |
| Wall Hanging Bracket Kit (Upflow Only)                    | 45K30      | 45K30        | 45K30 | 45K30                |
| High Performance Economizer (Commercial Only)             | 10U53      | 10U53        | 10U53 | 10U53                |

## BLOWER DATA

### CBA25UHV-018 BLOWER PERFORMANCE

0 through 0.80 in. w.g. External Static Pressure Range

| "ADJUST"<br>Jumper<br>Setting | Jumper Speed Positions |     |     |      |                          |     |     |     |                           |     |     |      |
|-------------------------------|------------------------|-----|-----|------|--------------------------|-----|-----|-----|---------------------------|-----|-----|------|
|                               | "HEAT" Speed           |     |     |      | First Stage "COOL" Speed |     |     |     | Second Stage "COOL" Speed |     |     |      |
|                               | 1                      | 2   | 3   | 4    | 1                        | 2   | 3   | 4   | 1                         | 2   | 3   | 4    |
|                               | cfm                    | cfm | cfm | cfm  | cfm                      | cfm | cfm | cfm | cfm                       | cfm | cfm | cfm  |
| +                             | 500                    | 705 | 925 | 1150 | 365                      | 520 | 665 | 810 | 500                       | 705 | 925 | 1150 |
| NORM                          | 465                    | 650 | 850 | 1050 | 350                      | 485 | 610 | 740 | 465                       | 650 | 850 | 1050 |
| -                             | 420                    | 600 | 760 | 950  | 320                      | 425 | 560 | 680 | 420                       | 600 | 760 | 950  |

NOTES - All air data measured external to unit with dry coil and 1 inch non-pleated air filter in place. Electric heaters have no appreciable air resistance.

First stage cooling air volume is 70% of COOL speed setting. Continuous blower speed is approximately 50% of COOL speed setting.

Lennox Harmony III™ Zoning System applications - minimum blower speed is 250 cfm.

### CBA25UHV-018 BLOWER MOTOR WATTS

#### AT "+" (Plus) SETTING ("Adjust" Jumper at "+" Setting)

| Jumper<br>Speed Positions       |       | Motor Watts @ Various External Static Pressures - in. wg. |     |     |     |     |     |     |     |
|---------------------------------|-------|---|-----|-----|-----|-----|-----|-----|-----|
|                                 |       | 0.1   | 0.2 | 0.3 | 0.4 | 0.5 | 0.6 | 0.7 | 0.8 |
| "HEAT"<br>Speed                 | Tap 1 | 46  | 61  | 74  | 86  | 99  | 111 | 124 | 138 |
|                                 | Tap 2 | 97  | 115 | 132 | 145 | 162 | 178 | 196 | 213 |
|                                 | Tap 3 | 185   | 205 | 229 | 245 | 268 | 282 | 300 | 316 |
|                                 | Tap 4 | 340   | 366 | 392 | 417 | 439 | 459 | 488 | 488 |
| First Stage<br>"COOL"<br>Speed  | Tap 1 | 30  | 41  | 51  | 59  | 69  | 81  | 92  | 106 |
|                                 | Tap 2 | 50  | 66  | 80  | 90  | 105 | 118 | 126 | 142 |
|                                 | Tap 3 | 87  | 106 | 116 | 135 | 148 | 167 | 178 | 192 |
|                                 | Tap 4 | 141   | 161 | 181 | 201 | 215 | 228 | 247 | 262 |
| Second Stage<br>"COOL"<br>Speed | Tap 1 | 46  | 61  | 74  | 86  | 99  | 111 | 124 | 138 |
|                                 | Tap 2 | 97  | 115 | 132 | 145 | 162 | 178 | 196 | 213 |
|                                 | Tap 3 | 185   | 205 | 229 | 245 | 268 | 282 | 300 | 316 |
|                                 | Tap 4 | 340   | 366 | 392 | 417 | 439 | 459 | 488 | 488 |

#### AT "NORM" SETTING ("Adjust" Jumper at NORM Setting)

| Jumper<br>Speed Positions       |       | Motor Watts @ Various External Static Pressures - in. wg. |     |     |     |     |     |     |     |
|---------------------------------|-------|---|-----|-----|-----|-----|-----|-----|-----|
|                                 |       | 0.1   | 0.2 | 0.3 | 0.4 | 0.5 | 0.6 | 0.7 | 0.8 |
| "HEAT"<br>Speed                 | Tap 1 | 40  | 55  | 66  | 80  | 93  | 101 | 115 | 128 |
|                                 | Tap 2 | 82  | 100 | 113 | 125 | 144 | 157 | 176 | 183 |
|                                 | Tap 3 | 146   | 170 | 191 | 207 | 224 | 238 | 259 | 276 |
|                                 | Tap 4 | 259   | 290 | 314 | 330 | 352 | 369 | 391 | 415 |
| First Stage<br>"COOL"<br>Speed  | Tap 1 | 28  | 37  | 46  | 58  | 67  | 79  | 89  | 102 |
|                                 | Tap 2 | 45  | 59  | 70  | 85  | 96  | 107 | 119 | 133 |
|                                 | Tap 3 | 74  | 88  | 102 | 120 | 132 | 145 | 161 | 171 |
|                                 | Tap 4 | 115   | 131 | 147 | 162 | 185 | 195 | 210 | 229 |
| Second Stage<br>"COOL"<br>Speed | Tap 1 | 40  | 55  | 66  | 80  | 93  | 101 | 115 | 128 |
|                                 | Tap 2 | 82  | 100 | 113 | 125 | 144 | 157 | 176 | 183 |
|                                 | Tap 3 | 146   | 170 | 191 | 207 | 224 | 238 | 259 | 276 |
|                                 | Tap 4 | 259   | 290 | 314 | 330 | 352 | 369 | 391 | 415 |

#### AT "-" (Minus) SETTING ("Adjust" Jumper at "-" Setting)

| Jumper<br>Speed Positions       |       | Motor Watts @ Various External Static Pressures - in. wg. |     |     |     |     |     |     |     |
|---------------------------------|-------|---|-----|-----|-----|-----|-----|-----|-----|
|                                 |       | 0.1   | 0.2 | 0.3 | 0.4 | 0.5 | 0.6 | 0.7 | 0.8 |
| "HEAT"<br>Speed                 | Tap 1 | 33  | 43  | 56  | 65  | 77  | 88  | 96  | 112 |
|                                 | Tap 2 | 65  | 80  | 93  | 113 | 126 | 140 | 151 | 164 |
|                                 | Tap 3 | 119   | 140 | 153 | 169 | 185 | 206 | 220 | 236 |
|                                 | Tap 4 | 195   | 219 | 237 | 261 | 281 | 296 | 320 | 338 |
| First Stage<br>"COOL"<br>Speed  | Tap 1 | 23  | 35  | 43  | 52  | 63  | 73  | 85  | 96  |
|                                 | Tap 2 | 37  | 45  | 54  | 70  | 76  | 86  | 99  | 110 |
|                                 | Tap 3 | 59  | 73  | 86  | 102 | 113 | 128 | 140 | 152 |
|                                 | Tap 4 | 88  | 102 | 119 | 137 | 154 | 165 | 185 | 201 |
| Second Stage<br>"COOL"<br>Speed | Tap 1 | 33  | 43  | 56  | 65  | 77  | 88  | 96  | 112 |
|                                 | Tap 2 | 65  | 80  | 93  | 113 | 126 | 140 | 151 | 164 |
|                                 | Tap 3 | 119   | 140 | 153 | 169 | 185 | 206 | 220 | 236 |
|                                 | Tap 4 | 195   | 219 | 237 | 261 | 281 | 296 | 320 | 338 |



## BLOWER DATA

### CBA25UHV-024 BLOWER PERFORMANCE

0 through 0.80 in. w.g. External Static Pressure Range

| "ADJUST"<br>Jumper<br>Setting | Jumper Speed Positions |     |     |      |                          |     |     |     |                           |     |     |      |
|-------------------------------|------------------------|-----|-----|------|--------------------------|-----|-----|-----|---------------------------|-----|-----|------|
|                               | "HEAT" Speed           |     |     |      | First Stage "COOL" Speed |     |     |     | Second Stage "COOL" Speed |     |     |      |
|                               | 1                      | 2   | 3   | 4    | 1                        | 2   | 3   | 4   | 1                         | 2   | 3   | 4    |
|                               | cfm                    | cfm | cfm | cfm  | cfm                      | cfm | cfm | cfm | cfm                       | cfm | cfm | cfm  |
| +                             | 450                    | 670 | 900 | 1120 | 340                      | 450 | 650 | 770 | 450                       | 670 | 900 | 1120 |
| NORM                          | 420                    | 620 | 820 | 1050 | 300                      | 400 | 600 | 700 | 420                       | 620 | 820 | 1050 |
| -                             | 390                    | 570 | 750 | 915  | 280                      | 390 | 500 | 650 | 390                       | 570 | 750 | 915  |

NOTES - All air data measured external to unit with dry coil and 1 inch non-pleated air filter in place. Electric heaters have no appreciable air resistance.

First stage cooling air volume is 70% of COOL speed setting. Continuous blower speed is approximately 50% of COOL speed setting.

Lennox Harmony III™ Zoning System applications - minimum blower speed is 250 cfm.

### CBA25UHV-024 BLOWER MOTOR WATTS

#### AT "+" (Plus) SETTING ("Adjust" Jumper at "+" Setting)

| Jumper<br>Speed Positions       |       | Motor Watts @ Various External Static Pressures - in. wg. |     |     |     |     |     |     |     |
|---------------------------------|-------|---|-----|-----|-----|-----|-----|-----|-----|
|                                 |       | 0.1   | 0.2 | 0.3 | 0.4 | 0.5 | 0.6 | 0.7 | 0.8 |
| "HEAT"<br>Speed                 | Tap 1 | 40  | 50  | 60  | 74  | 86  | 95  | 112 | 124 |
|                                 | Tap 2 | 82  | 100 | 116 | 136 | 151 | 163 | 185 | 197 |
|                                 | Tap 3 | 173   | 190 | 213 | 236 | 257 | 283 | 300 | 316 |
|                                 | Tap 4 | 290   | 318 | 339 | 363 | 379 | 407 | 447 | 463 |
| First Stage<br>"COOL"<br>Speed  | Tap 1 | 27  | 37  | 46  | 57  | 68  | 76  | 88  | 104 |
|                                 | Tap 2 | 41  | 54  | 62  | 75  | 87  | 97  | 108 | 121 |
|                                 | Tap 3 | 75  | 94  | 109 | 127 | 145 | 161 | 173 | 191 |
|                                 | Tap 4 | 113   | 133 | 146 | 168 | 189 | 205 | 222 | 244 |
| Second Stage<br>"COOL"<br>Speed | Tap 1 | 40  | 50  | 60  | 74  | 86  | 95  | 112 | 124 |
|                                 | Tap 2 | 82  | 100 | 116 | 136 | 151 | 163 | 185 | 197 |
|                                 | Tap 3 | 173   | 190 | 213 | 236 | 257 | 283 | 300 | 316 |
|                                 | Tap 4 | 290   | 318 | 339 | 363 | 379 | 407 | 447 | 463 |

#### AT "NORM" SETTING ("Adjust" Jumper at NORM Setting)

| Jumper<br>Speed Positions       |       | Motor Watts @ Various External Static Pressures - in. wg. |     |     |     |     |     |     |     |
|---------------------------------|-------|---|-----|-----|-----|-----|-----|-----|-----|
|                                 |       | 0.1   | 0.2 | 0.3 | 0.4 | 0.5 | 0.6 | 0.7 | 0.8 |
| "HEAT"<br>Speed                 | Tap 1 | 33  | 45  | 57  | 68  | 78  | 89  | 101 | 115 |
|                                 | Tap 2 | 64  | 81  | 96  | 113 | 132 | 145 | 159 | 179 |
|                                 | Tap 3 | 133   | 152 | 172 | 190 | 211 | 231 | 252 | 270 |
|                                 | Tap 4 | 253   | 278 | 307 | 325 | 348 | 374 | 397 | 415 |
| First Stage<br>"COOL"<br>Speed  | Tap 1 | 26  | 36  | 39  | 52  | 62  | 73  | 93  | 102 |
|                                 | Tap 2 | 37  | 45  | 57  | 66  | 76  | 90  | 100 | 113 |
|                                 | Tap 3 | 62  | 80  | 94  | 108 | 123 | 135 | 152 | 171 |
|                                 | Tap 4 | 88  | 108 | 128 | 145 | 162 | 181 | 195 | 214 |
| Second Stage<br>"COOL"<br>Speed | Tap 1 | 33  | 45  | 57  | 68  | 78  | 89  | 101 | 115 |
|                                 | Tap 2 | 64  | 81  | 96  | 113 | 132 | 145 | 159 | 179 |
|                                 | Tap 3 | 133   | 152 | 172 | 190 | 211 | 231 | 252 | 270 |
|                                 | Tap 4 | 253   | 278 | 307 | 325 | 348 | 374 | 397 | 415 |

#### AT "-" (Minus) SETTING ("Adjust" Jumper at "-" Setting)

| Jumper<br>Speed Positions       |       | Motor Watts @ Various External Static Pressures - in. wg. |     |     |     |     |     |     |     |
|---------------------------------|-------|---|-----|-----|-----|-----|-----|-----|-----|
|                                 |       | 0.1   | 0.2 | 0.3 | 0.4 | 0.5 | 0.6 | 0.7 | 0.8 |
| "HEAT"<br>Speed                 | Tap 1 | 30  | 43  | 54  | 62  | 73  | 84  | 97  | 109 |
|                                 | Tap 2 | 52  | 71  | 87  | 99  | 117 | 128 | 145 | 157 |
|                                 | Tap 3 | 100   | 118 | 138 | 161 | 179 | 193 | 204 | 228 |
|                                 | Tap 4 | 167   | 185 | 206 | 230 | 256 | 280 | 295 | 316 |
| First Stage<br>"COOL"<br>Speed  | Tap 1 | 23  | 29  | 42  | 48  | 60  | 75  | 88  | 93  |
|                                 | Tap 2 | 31  | 39  | 54  | 62  | 76  | 86  | 96  | 105 |
|                                 | Tap 3 | 46  | 56  | 70  | 84  | 93  | 107 | 115 | 133 |
|                                 | Tap 4 | 72  | 87  | 105 | 121 | 141 | 158 | 175 | 188 |
| Second Stage<br>"COOL"<br>Speed | Tap 1 | 30  | 43  | 54  | 62  | 73  | 84  | 97  | 109 |
|                                 | Tap 2 | 52  | 71  | 87  | 99  | 117 | 128 | 145 | 157 |
|                                 | Tap 3 | 100   | 118 | 138 | 161 | 179 | 193 | 204 | 228 |
|                                 | Tap 4 | 167   | 185 | 206 | 230 | 256 | 280 | 295 | 316 |

## BLOWER DATA

### CBA25UHV-030 BLOWER PERFORMANCE

0 through 0.80 in. w.g. External Static Pressure Range

| "ADJUST"<br>Jumper<br>Setting | Jumper Speed Positions |     |      |      |                          |     |     |     |                           |     |      |      |
|-------------------------------|------------------------|-----|------|------|--------------------------|-----|-----|-----|---------------------------|-----|------|------|
|                               | "HEAT" Speed           |     |      |      | First Stage "COOL" Speed |     |     |     | Second Stage "COOL" Speed |     |      |      |
|                               | 1                      | 2   | 3    | 4    | 1                        | 2   | 3   | 4   | 1                         | 2   | 3    | 4    |
|                               | cfm                    | cfm | cfm  | cfm  | cfm                      | cfm | cfm | cfm | cfm                       | cfm | cfm  | cfm  |
| +                             | 680                    | 885 | 1115 | 1340 | 490                      | 635 | 770 | 930 | 680                       | 885 | 1115 | 1340 |
| NORM                          | 620                    | 810 | 1020 | 1220 | 440                      | 575 | 715 | 845 | 620                       | 810 | 1020 | 1220 |
| -                             | 550                    | 725 | 905  | 1100 | 411                      | 530 | 645 | 755 | 550                       | 725 | 905  | 1100 |

NOTES - All air data measured external to unit with dry coil and 1 inch non-pleated air filter in place. Electric heaters have no appreciable air resistance.

First stage cooling air volume is 70% of COOL speed setting. Continuous blower speed is approximately 50% of COOL speed setting.

Lennox Harmony III™ Zoning System applications - minimum blower speed is 250 cfm.

### CBA25UHV-030 BLOWER MOTOR WATTS

#### AT "+" (Plus) SETTING ("Adjust" Jumper at "+" Setting)

| Jumper<br>Speed Positions       |       | Motor Watts @ Various External Static Pressures - in. wg. |     |     |     |     |     |     |     |
|---------------------------------|-------|---|-----|-----|-----|-----|-----|-----|-----|
|                                 |       | 0.1   | 0.2 | 0.3 | 0.4 | 0.5 | 0.6 | 0.7 | 0.8 |
| "HEAT"<br>Speed                 | Tap 1 | 64  | 81  | 108 | 136 | 153 | 201 | 210 | 246 |
|                                 | Tap 2 | 120   | 136 | 162 | 182 | 198 | 221 | 246 | 286 |
|                                 | Tap 3 | 210   | 231 | 259 | 280 | 303 | 323 | 348 | 376 |
|                                 | Tap 4 | 367   | 392 | 420 | 452 | 486 | 506 | 510 | 520 |
| First Stage<br>"COOL"<br>Speed  | Tap 1 | 32  | 52  | 70  | 88  | 96  | 120 | 148 | 172 |
|                                 | Tap 2 | 50  | 72  | 91  | 115 | 143 | 177 | 200 | 215 |
|                                 | Tap 3 | 87  | 102 | 120 | 142 | 170 | 195 | 227 | 243 |
|                                 | Tap 4 | 128   | 151 | 176 | 196 | 213 | 239 | 259 | 294 |
| Second Stage<br>"COOL"<br>Speed | Tap 1 | 64  | 81  | 108 | 136 | 153 | 201 | 210 | 246 |
|                                 | Tap 2 | 120   | 136 | 162 | 182 | 198 | 221 | 246 | 286 |
|                                 | Tap 3 | 210   | 231 | 259 | 280 | 303 | 323 | 348 | 376 |
|                                 | Tap 4 | 367   | 392 | 420 | 452 | 486 | 506 | 510 | 520 |

#### AT "NORM" SETTING ("Adjust" Jumper at NORM Setting)

| Jumper<br>Speed Positions       |       | Motor Watts @ Various External Static Pressures - in. wg. |     |     |     |     |     |     |     |
|---------------------------------|-------|---|-----|-----|-----|-----|-----|-----|-----|
|                                 |       | 0.1   | 0.2 | 0.3 | 0.4 | 0.5 | 0.6 | 0.7 | 0.8 |
| "HEAT"<br>Speed                 | Tap 1 | 55  | 70  | 94  | 118 | 148 | 171 | 198 | 209 |
|                                 | Tap 2 | 91  | 113 | 132 | 151 | 177 | 201 | 222 | 242 |
|                                 | Tap 3 | 167   | 187 | 209 | 230 | 252 | 279 | 304 | 331 |
|                                 | Tap 4 | 268   | 304 | 329 | 354 | 380 | 403 | 431 | 451 |
| First Stage<br>"COOL"<br>Speed  | Tap 1 | 30  | 47  | 64  | 73  | 95  | 113 | 121 | 133 |
|                                 | Tap 2 | 46  | 67  | 87  | 119 | 140 | 151 | 163 | 187 |
|                                 | Tap 3 | 75  | 91  | 113 | 138 | 164 | 196 | 228 | 267 |
|                                 | Tap 4 | 104   | 125 | 142 | 158 | 187 | 215 | 244 | 265 |
| Second Stage<br>"COOL"<br>Speed | Tap 1 | 55  | 70  | 94  | 118 | 148 | 171 | 198 | 209 |
|                                 | Tap 2 | 91  | 113 | 132 | 151 | 177 | 201 | 222 | 242 |
|                                 | Tap 3 | 167   | 187 | 209 | 230 | 252 | 279 | 304 | 331 |
|                                 | Tap 4 | 268   | 304 | 329 | 354 | 380 | 403 | 431 | 451 |

#### AT "-" (Minus) SETTING ("Adjust" Jumper at "-" Setting)

| Jumper<br>Speed Positions       |       | Motor Watts @ Various External Static Pressures - in. wg. |     |     |     |     |     |     |     |
|---------------------------------|-------|---|-----|-----|-----|-----|-----|-----|-----|
|                                 |       | 0.1   | 0.2 | 0.3 | 0.4 | 0.5 | 0.6 | 0.7 | 0.8 |
| "HEAT"<br>Speed                 | Tap 1 | 47  | 59  | 78  | 108 | 126 | 150 | 158 | 189 |
|                                 | Tap 2 | 72  | 89  | 111 | 130 | 157 | 193 | 214 | 241 |
|                                 | Tap 3 | 128   | 144 | 162 | 180 | 200 | 216 | 254 | 284 |
|                                 | Tap 4 | 194   | 223 | 247 | 268 | 292 | 317 | 347 | 368 |
| First Stage<br>"COOL"<br>Speed  | Tap 1 | 30  | 42  | 56  | 68  | 86  | 104 | 119 | 132 |
|                                 | Tap 2 | 45  | 57  | 84  | 97  | 113 | 132 | 157 | 181 |
|                                 | Tap 3 | 67  | 75  | 99  | 129 | 161 | 184 | 208 | 247 |
|                                 | Tap 4 | 85  | 101 | 120 | 138 | 163 | 197 | 234 | 253 |
| Second Stage<br>"COOL"<br>Speed | Tap 1 | 47  | 59  | 78  | 108 | 126 | 150 | 158 | 189 |
|                                 | Tap 2 | 72  | 89  | 111 | 130 | 157 | 193 | 214 | 241 |
|                                 | Tap 3 | 128   | 144 | 162 | 180 | 200 | 216 | 254 | 284 |
|                                 | Tap 4 | 194   | 223 | 247 | 268 | 292 | 317 | 347 | 368 |

## BLOWER DATA

### CBA25UHV-036 BLOWER PERFORMANCE

0 through 0.80 in. w.g. External Static Pressure Range

| "ADJUST"<br>Jumper<br>Setting | Jumper Speed Positions |      |      |      |                          |     |     |      |                           |      |      |      |
|-------------------------------|------------------------|------|------|------|--------------------------|-----|-----|------|---------------------------|------|------|------|
|                               | "HEAT" Speed           |      |      |      | First Stage "COOL" Speed |     |     |      | Second Stage "COOL" Speed |      |      |      |
|                               | 1                      | 2    | 3    | 4    | 1                        | 2   | 3   | 4    | 1                         | 2    | 3    | 4    |
|                               | cfm                    | cfm  | cfm  | cfm  | cfm                      | cfm | cfm | cfm  | cfm                       | cfm  | cfm  | cfm  |
| +                             | 930                    | 1155 | 1390 | 1530 | 640                      | 815 | 970 | 1150 | 930                       | 1155 | 1390 | 1530 |
| NORM                          | 830                    | 1050 | 1260 | 1450 | 590                      | 725 | 875 | 1025 | 830                       | 1050 | 1260 | 1450 |
| -                             | 740                    | 940  | 1135 | 1330 | 545                      | 650 | 780 | 910  | 740                       | 940  | 1135 | 1330 |

NOTES - All air data measured external to unit with dry coil and 1 inch non-pleated air filter in place. Electric heaters have no appreciable air resistance.

First stage cooling air volume is 70% of COOL speed setting. Continuous blower speed is approximately 50% of COOL speed setting.

Lennox Harmony III™ Zoning System applications - minimum blower speed is 250 cfm.

### CBA25UHV-036 BLOWER MOTOR WATTS

#### AT "+" (Plus) SETTING ("Adjust" Jumper at "+" Setting)

| Jumper<br>Speed Positions       |       | Motor Watts @ Various External Static Pressures - in. wg. |     |     |     |     |     |     |     |
|---------------------------------|-------|---|-----|-----|-----|-----|-----|-----|-----|
|                                 |       | 0.1   | 0.2 | 0.3 | 0.4 | 0.5 | 0.6 | 0.7 | 0.8 |
| "HEAT"<br>Speed                 | Tap 1 | 111   | 132 | 152 | 193 | 226 | 246 | 271 | 282 |
|                                 | Tap 2 | 188   | 215 | 242 | 271 | 295 | 327 | 391 | 412 |
|                                 | Tap 3 | 298   | 325 | 361 | 395 | 433 | 474 | 491 | 515 |
|                                 | Tap 4 | 464   | 503 | 516 | 537 | 526 | 527 | 529 | 522 |
| First Stage<br>"COOL"<br>Speed  | Tap 1 | 53  | 78  | 98  | 112 | 135 | 151 | 173 | 192 |
|                                 | Tap 2 | 78  | 101 | 118 | 149 | 173 | 191 | 217 | 237 |
|                                 | Tap 3 | 115   | 136 | 162 | 185 | 237 | 265 | 284 | 308 |
|                                 | Tap 4 | 166   | 196 | 228 | 252 | 284 | 303 | 364 | 399 |
| Second Stage<br>"COOL"<br>Speed | Tap 1 | 111   | 132 | 152 | 193 | 226 | 246 | 271 | 282 |
|                                 | Tap 2 | 188   | 215 | 242 | 271 | 295 | 327 | 391 | 412 |
|                                 | Tap 3 | 298   | 325 | 361 | 395 | 433 | 474 | 491 | 515 |
|                                 | Tap 4 | 464   | 503 | 516 | 537 | 526 | 527 | 529 | 522 |

#### AT "NORM" SETTING ("Adjust" Jumper at NORM Setting)

| Jumper<br>Speed Positions       |       | Motor Watts @ Various External Static Pressures - in. wg. |     |     |     |     |     |     |     |
|---------------------------------|-------|---|-----|-----|-----|-----|-----|-----|-----|
|                                 |       | 0.1   | 0.2 | 0.3 | 0.4 | 0.5 | 0.6 | 0.7 | 0.8 |
| "HEAT"<br>Speed                 | Tap 1 | 79  | 102 | 128 | 170 | 189 | 210 | 225 | 254 |
|                                 | Tap 2 | 138   | 165 | 191 | 219 | 243 | 300 | 328 | 347 |
|                                 | Tap 3 | 225   | 249 | 287 | 315 | 351 | 377 | 407 | 429 |
|                                 | Tap 4 | 342   | 384 | 425 | 456 | 510 | 531 | 533 | 525 |
| First Stage<br>"COOL"<br>Speed  | Tap 1 | 41  | 69  | 80  | 100 | 115 | 141 | 159 | 176 |
|                                 | Tap 2 | 64  | 80  | 114 | 136 | 155 | 169 | 197 | 214 |
|                                 | Tap 3 | 241   | 219 | 202 | 155 | 145 | 116 | 94  | 85  |
|                                 | Tap 4 | 319   | 296 | 258 | 211 | 189 | 163 | 138 | 123 |
| Second Stage<br>"COOL"<br>Speed | Tap 1 | 79  | 102 | 128 | 170 | 189 | 210 | 225 | 254 |
|                                 | Tap 2 | 138   | 165 | 191 | 219 | 243 | 300 | 328 | 347 |
|                                 | Tap 3 | 225   | 249 | 287 | 315 | 351 | 377 | 407 | 429 |
|                                 | Tap 4 | 342   | 384 | 425 | 456 | 510 | 531 | 533 | 525 |

#### AT "-" (Minus) SETTING ("Adjust" Jumper at "-" Setting)

| Jumper<br>Speed Positions       |       | Motor Watts @ Various External Static Pressures - in. wg. |     |     |     |     |     |     |     |
|---------------------------------|-------|---|-----|-----|-----|-----|-----|-----|-----|
|                                 |       | 0.1   | 0.2 | 0.3 | 0.4 | 0.5 | 0.6 | 0.7 | 0.8 |
| "HEAT"<br>Speed                 | Tap 1 | 64  | 81  | 119 | 142 | 161 | 184 | 194 | 219 |
|                                 | Tap 2 | 111   | 131 | 151 | 174 | 221 | 255 | 268 | 293 |
|                                 | Tap 3 | 168   | 199 | 222 | 248 | 287 | 304 | 359 | 396 |
|                                 | Tap 4 | 249   | 293 | 331 | 340 | 386 | 410 | 443 | 475 |
| First Stage<br>"COOL"<br>Speed  | Tap 1 | 38  | 59  | 79  | 90  | 107 | 121 | 139 | 170 |
|                                 | Tap 2 | 49  | 73  | 105 | 112 | 131 | 151 | 162 | 184 |
|                                 | Tap 3 | 69  | 90  | 122 | 149 | 170 | 197 | 207 | 229 |
|                                 | Tap 4 | 105   | 130 | 147 | 172 | 219 | 242 | 262 | 278 |
| Second Stage<br>"COOL"<br>Speed | Tap 1 | 64  | 81  | 119 | 142 | 161 | 184 | 194 | 219 |
|                                 | Tap 2 | 111   | 131 | 151 | 174 | 221 | 255 | 268 | 293 |
|                                 | Tap 3 | 168   | 199 | 222 | 248 | 287 | 304 | 359 | 396 |
|                                 | Tap 4 | 249   | 293 | 331 | 340 | 386 | 410 | 443 | 475 |

## BLOWER DATA

### CBA25UHV-042 BLOWER PERFORMANCE

0 through 0.80 in. w.g. External Static Pressure Range

| "ADJUST"<br>Jumper<br>Setting | Jumper Speed Positions |      |      |      |                          |     |      |      |                           |      |      |      |
|-------------------------------|------------------------|------|------|------|--------------------------|-----|------|------|---------------------------|------|------|------|
|                               | "HEAT" Speed           |      |      |      | First Stage "COOL" Speed |     |      |      | Second Stage "COOL" Speed |      |      |      |
|                               | 1                      | 2    | 3    | 4    | 1                        | 2   | 3    | 4    | 1                         | 2    | 3    | 4    |
|                               | cfm                    | cfm  | cfm  | cfm  | cfm                      | cfm | cfm  | cfm  | cfm                       | cfm  | cfm  | cfm  |
| +                             | 1130                   | 945  | 1575 | 1810 | 780                      | 945 | 1110 | 1275 | 1130                      | 945  | 1575 | 1810 |
| NORM                          | 1020                   | 1255 | 1440 | 1650 | 710                      | 860 | 1000 | 1160 | 1020                      | 1255 | 1440 | 1650 |
| -                             | 920                    | 1135 | 1300 | 1490 | 670                      | 780 | 910  | 1040 | 920                       | 1135 | 1300 | 1490 |

NOTES - All air data measured external to unit with dry coil and 1 inch non-pleated air filter in place. Electric heaters have no appreciable air resistance.

First stage cooling air volume is 70% of COOL speed setting. Continuous blower speed is approximately 50% of COOL speed setting.

Lennox Harmony III™ Zoning System applications - minimum blower speed is 450 cfm.

### CBA25UHV-042 BLOWER MOTOR WATTS

#### AT "+" (Plus) SETTING ("Adjust" Jumper at "+" Setting)

| Jumper<br>Speed Positions       |       | Motor Watts @ Various External Static Pressures - in. wg. |     |     |     |     |     |     |     |
|---------------------------------|-------|---|-----|-----|-----|-----|-----|-----|-----|
|                                 |       | 0.1   | 0.2 | 0.3 | 0.4 | 0.5 | 0.6 | 0.7 | 0.8 |
| "HEAT"<br>Speed                 | Tap 1 | 148   | 175 | 198 | 227 | 258 | 275 | 312 | 364 |
|                                 | Tap 2 | 239   | 268 | 295 | 323 | 351 | 375 | 409 | 437 |
|                                 | Tap 3 | 338   | 375 | 411 | 437 | 470 | 507 | 537 | 563 |
|                                 | Tap 4 | 504   | 531 | 578 | 614 | 657 | 687 | 716 | 763 |
| First Stage<br>"COOL"<br>Speed  | Tap 1 | 67  | 91  | 115 | 143 | 165 | 185 | 202 | 223 |
|                                 | Tap 2 | 101   | 127 | 145 | 175 | 213 | 241 | 251 | 277 |
|                                 | Tap 3 | 140   | 164 | 196 | 215 | 250 | 265 | 299 | 345 |
|                                 | Tap 4 | 190   | 229 | 245 | 285 | 303 | 324 | 363 | 398 |
| Second Stage<br>"COOL"<br>Speed | Tap 1 | 148   | 175 | 198 | 227 | 258 | 275 | 312 | 364 |
|                                 | Tap 2 | 239   | 268 | 295 | 323 | 351 | 375 | 409 | 437 |
|                                 | Tap 3 | 338   | 375 | 411 | 437 | 470 | 507 | 537 | 563 |
|                                 | Tap 4 | 504   | 531 | 578 | 614 | 657 | 687 | 716 | 763 |

#### AT "NORM" SETTING ("Adjust" Jumper at NORM Setting)

| Jumper<br>Speed Positions       |       | Motor Watts @ Various External Static Pressures - in. wg. |     |     |     |     |     |     |     |
|---------------------------------|-------|---|-----|-----|-----|-----|-----|-----|-----|
|                                 |       | 0.1   | 0.2 | 0.3 | 0.4 | 0.5 | 0.6 | 0.7 | 0.8 |
| "HEAT"<br>Speed                 | Tap 1 | 116   | 146 | 168 | 196 | 221 | 250 | 286 | 305 |
|                                 | Tap 2 | 188   | 215 | 243 | 266 | 295 | 319 | 348 | 383 |
|                                 | Tap 3 | 270   | 300 | 327 | 353 | 384 | 417 | 450 | 474 |
|                                 | Tap 4 | 375   | 416 | 459 | 500 | 517 | 556 | 588 | 618 |
| First Stage<br>"COOL"<br>Speed  | Tap 1 | 57  | 78  | 107 | 134 | 151 | 171 | 192 | 225 |
|                                 | Tap 2 | 85  | 111 | 135 | 158 | 197 | 213 | 226 | 246 |
|                                 | Tap 3 | 118   | 138 | 163 | 186 | 219 | 254 | 291 | 305 |
|                                 | Tap 4 | 170   | 198 | 217 | 247 | 267 | 295 | 328 | 380 |
| Second Stage<br>"COOL"<br>Speed | Tap 1 | 116   | 146 | 168 | 196 | 221 | 250 | 286 | 305 |
|                                 | Tap 2 | 188   | 215 | 243 | 266 | 295 | 319 | 348 | 383 |
|                                 | Tap 3 | 270   | 300 | 327 | 353 | 384 | 417 | 450 | 474 |
|                                 | Tap 4 | 375   | 416 | 459 | 500 | 517 | 556 | 588 | 618 |

#### AT "-" (Minus) SETTING ("Adjust" Jumper at "-" Setting)

| Jumper<br>Speed Positions       |       | Motor Watts @ Various External Static Pressures - in. wg. |     |     |     |     |     |     |     |
|---------------------------------|-------|---|-----|-----|-----|-----|-----|-----|-----|
|                                 |       | 0.1   | 0.2 | 0.3 | 0.4 | 0.5 | 0.6 | 0.7 | 0.8 |
| "HEAT"<br>Speed                 | Tap 1 | 96  | 119 | 138 | 162 | 191 | 227 | 247 | 266 |
|                                 | Tap 2 | 153   | 171 | 200 | 226 | 249 | 286 | 303 | 348 |
|                                 | Tap 3 | 204   | 237 | 259 | 286 | 319 | 336 | 371 | 401 |
|                                 | Tap 4 | 282   | 312 | 353 | 384 | 417 | 441 | 468 | 503 |
| First Stage<br>"COOL"<br>Speed  | Tap 1 | 56  | 74  | 98  | 121 | 131 | 169 | 178 | 200 |
|                                 | Tap 2 | 79  | 93  | 115 | 140 | 165 | 188 | 199 | 218 |
|                                 | Tap 3 | 98  | 117 | 138 | 170 | 196 | 228 | 250 | 260 |
|                                 | Tap 4 | 126   | 148 | 175 | 194 | 222 | 254 | 300 | 322 |
| Second Stage<br>"COOL"<br>Speed | Tap 1 | 96  | 119 | 138 | 162 | 191 | 227 | 247 | 266 |
|                                 | Tap 2 | 153   | 171 | 200 | 226 | 249 | 286 | 303 | 348 |
|                                 | Tap 3 | 204   | 237 | 259 | 286 | 319 | 336 | 371 | 401 |
|                                 | Tap 4 | 282   | 312 | 353 | 384 | 417 | 441 | 468 | 503 |

## BLOWER DATA

### CBA25UHV-048 BLOWER PERFORMANCE

0 through 0.80 in. w.g. External Static Pressure Range

| "ADJUST"<br>Jumper<br>Setting | Jumper Speed Positions |      |      |      |                          |      |      |      |                           |      |      |      |
|-------------------------------|------------------------|------|------|------|--------------------------|------|------|------|---------------------------|------|------|------|
|                               | "HEAT" Speed           |      |      |      | First Stage "COOL" Speed |      |      |      | Second Stage "COOL" Speed |      |      |      |
|                               | 1                      | 2    | 3    | 4    | 1                        | 2    | 3    | 4    | 1                         | 2    | 3    | 4    |
|                               | cfm                    | cfm  | cfm  | cfm  | cfm                      | cfm  | cfm  | cfm  | cfm                       | cfm  | cfm  | cfm  |
| +                             | 1375                   | 1600 | 1820 | 2185 | 960                      | 1125 | 1285 | 1620 | 1375                      | 1600 | 1820 | 2185 |
| NORM                          | 1260                   | 1455 | 1655 | 2085 | 885                      | 1035 | 1185 | 1475 | 1260                      | 1455 | 1655 | 2085 |
| -                             | 1125                   | 1310 | 1490 | 1885 | 790                      | 925  | 1060 | 1330 | 1125                      | 1310 | 1490 | 1885 |

NOTES - All air data measured external to unit with dry coil and 1 inch non-pleated air filter in place. Electric heaters have no appreciable air resistance.

First stage cooling air volume is 70% of COOL speed setting. Continuous blower speed is approximately 50% of COOL speed setting.

Lennox Harmony III™ Zoning System applications - minimum blower speed is 450 cfm.

### CBA25UHV-048 BLOWER MOTOR WATTS

#### AT "+" (Plus) SETTING ("Adjust" Jumper at "+" Setting)

| Jumper<br>Speed Positions       |       | Motor Watts @ Various External Static Pressures - in. wg. |     |      |      |     |     |     |     |
|---------------------------------|-------|---|-----|------|------|-----|-----|-----|-----|
|                                 |       | 0.1   | 0.2 | 0.3  | 0.4  | 0.5 | 0.6 | 0.7 | 0.8 |
| "HEAT"<br>Speed                 | Tap 1 | 221   | 244 | 277  | 308  | 345 | 372 | 406 | 449 |
|                                 | Tap 2 | 325   | 363 | 403  | 448  | 478 | 517 | 549 | 578 |
|                                 | Tap 3 | 465   | 502 | 550  | 592  | 637 | 671 | 711 | 755 |
|                                 | Tap 4 | 922   | 985 | 1000 | 1006 | 996 | 991 | 996 | 989 |
| First Stage<br>"COOL"<br>Speed  | Tap 1 | 94  | 129 | 152  | 179  | 206 | 247 | 265 | 288 |
|                                 | Tap 2 | 135   | 168 | 190  | 220  | 247 | 275 | 313 | 367 |
|                                 | Tap 3 | 176   | 213 | 241  | 270  | 292 | 344 | 366 | 405 |
|                                 | Tap 4 | 330   | 368 | 405  | 439  | 478 | 515 | 542 | 576 |
| Second Stage<br>"COOL"<br>Speed | Tap 1 | 221   | 244 | 277  | 308  | 345 | 372 | 406 | 449 |
|                                 | Tap 2 | 325   | 363 | 403  | 448  | 478 | 517 | 549 | 578 |
|                                 | Tap 3 | 465   | 502 | 550  | 592  | 637 | 671 | 711 | 755 |
|                                 | Tap 4 | 922   | 985 | 1000 | 1006 | 996 | 991 | 996 | 989 |

#### AT "NORM" SETTING ("Adjust" Jumper at NORM Setting)

| Jumper<br>Speed Positions       |       | Motor Watts @ Various External Static Pressures - in. wg. |     |     |     |     |     |     |     |
|---------------------------------|-------|---|-----|-----|-----|-----|-----|-----|-----|
|                                 |       | 0.1   | 0.2 | 0.3 | 0.4 | 0.5 | 0.6 | 0.7 | 0.8 |
| "HEAT"<br>Speed                 | Tap 1 | 180   | 208 | 240 | 275 | 296 | 333 | 362 | 410 |
|                                 | Tap 2 | 252   | 287 | 311 | 346 | 380 | 407 | 456 | 484 |
|                                 | Tap 3 | 347   | 392 | 434 | 457 | 507 | 534 | 579 | 615 |
|                                 | Tap 4 | 696   | 749 | 797 | 841 | 881 | 927 | 972 | 999 |
| First Stage<br>"COOL"<br>Speed  | Tap 1 | 77  | 102 | 128 | 153 | 185 | 210 | 231 | 247 |
|                                 | Tap 2 | 111   | 133 | 164 | 188 | 219 | 251 | 279 | 304 |
|                                 | Tap 3 | 144   | 175 | 206 | 233 | 262 | 285 | 325 | 352 |
|                                 | Tap 4 | 251   | 283 | 317 | 364 | 382 | 419 | 447 | 482 |
| Second Stage<br>"COOL"<br>Speed | Tap 1 | 180   | 208 | 240 | 275 | 296 | 333 | 362 | 410 |
|                                 | Tap 2 | 252   | 287 | 311 | 346 | 380 | 407 | 456 | 484 |
|                                 | Tap 3 | 347   | 392 | 434 | 457 | 507 | 534 | 579 | 615 |
|                                 | Tap 4 | 696   | 749 | 797 | 841 | 881 | 927 | 972 | 999 |

#### AT "-" (Minus) SETTING ("Adjust" Jumper at "-" Setting)

| Jumper<br>Speed Positions       |       | Motor Watts @ Various External Static Pressures - in. wg. |     |     |     |     |     |     |     |
|---------------------------------|-------|---|-----|-----|-----|-----|-----|-----|-----|
|                                 |       | 0.1   | 0.2 | 0.3 | 0.4 | 0.5 | 0.6 | 0.7 | 0.8 |
| "HEAT"<br>Speed                 | Tap 1 | 133   | 164 | 192 | 221 | 253 | 280 | 318 | 352 |
|                                 | Tap 2 | 203   | 224 | 270 | 291 | 317 | 371 | 403 | 430 |
|                                 | Tap 3 | 273   | 309 | 343 | 376 | 413 | 441 | 471 | 522 |
|                                 | Tap 4 | 518   | 573 | 610 | 667 | 694 | 732 | 776 | 821 |
| First Stage<br>"COOL"<br>Speed  | Tap 1 | 61  | 87  | 116 | 141 | 168 | 186 | 204 | 222 |
|                                 | Tap 2 | 85  | 109 | 135 | 166 | 197 | 222 | 249 | 270 |
|                                 | Tap 3 | 115   | 142 | 168 | 199 | 220 | 253 | 287 | 330 |
|                                 | Tap 4 | 194   | 227 | 253 | 288 | 320 | 359 | 388 | 415 |
| Second Stage<br>"COOL"<br>Speed | Tap 1 | 133   | 164 | 192 | 221 | 253 | 280 | 318 | 352 |
|                                 | Tap 2 | 203   | 224 | 270 | 291 | 317 | 371 | 403 | 430 |
|                                 | Tap 3 | 273   | 309 | 343 | 376 | 413 | 441 | 471 | 522 |
|                                 | Tap 4 | 518   | 573 | 610 | 667 | 694 | 732 | 776 | 821 |

## BLOWER DATA

### CBA25UHV-060 BLOWER PERFORMANCE

0 through 0.80 in. w.g. External Static Pressure Range

| "ADJUST"<br>Jumper<br>Setting | Jumper Speed Positions |      |      |      |                          |      |      |      |                           |      |      |      |
|-------------------------------|------------------------|------|------|------|--------------------------|------|------|------|---------------------------|------|------|------|
|                               | "HEAT" Speed           |      |      |      | First Stage "COOL" Speed |      |      |      | Second Stage "COOL" Speed |      |      |      |
|                               | 1                      | 2    | 3    | 4    | 1                        | 2    | 3    | 4    | 1                         | 2    | 3    | 4    |
|                               | cfm                    | cfm  | cfm  | cfm  | cfm                      | cfm  | cfm  | cfm  | cfm                       | cfm  | cfm  | cfm  |
| +                             | 1600                   | 1835 | 2030 | 2190 | 1110                     | 1285 | 1380 | 1615 | 1600                      | 1835 | 2030 | 2190 |
| NORM                          | 1465                   | 1675 | 1855 | 2085 | 1000                     | 1160 | 1250 | 1470 | 1465                      | 1675 | 1855 | 2085 |
| -                             | 1320                   | 1500 | 1675 | 1890 | 895                      | 1035 | 1115 | 1320 | 1320                      | 1500 | 1675 | 1890 |

NOTES - All air data measured external to unit with dry coil and 1 inch non-pleated air filter in place. Electric heaters have no appreciable air resistance.

First stage cooling air volume is 70% of COOL speed setting. Continuous blower speed is approximately 50% of COOL speed setting.

Lennox Harmony III™ Zoning System applications - minimum blower speed is 450 cfm.

### CBA25UHV-060 BLOWER MOTOR WATTS

#### AT "+" (Plus) SETTING ("Adjust" Jumper at "+" Setting)

| Jumper<br>Speed Positions       |       | Motor Watts @ Various External Static Pressures - in. wg. |     |      |      |      |      |      |     |
|---------------------------------|-------|---|-----|------|------|------|------|------|-----|
|                                 |       | 0.1   | 0.2 | 0.3  | 0.4  | 0.5  | 0.6  | 0.7  | 0.8 |
| "HEAT"<br>Speed                 | Tap 1 | 330   | 360 | 403  | 444  | 488  | 521  | 563  | 600 |
|                                 | Tap 2 | 469   | 505 | 564  | 616  | 649  | 685  | 735  | 776 |
|                                 | Tap 3 | 631   | 671 | 734  | 782  | 832  | 894  | 931  | 974 |
|                                 | Tap 4 | 903   | 957 | 1016 | 1015 | 1013 | 1002 | 1002 | 998 |
| First Stage<br>"COOL"<br>Speed  | Tap 1 | 146   | 166 | 194  | 223  | 267  | 300  | 340  | 379 |
|                                 | Tap 2 | 195   | 221 | 252  | 278  | 319  | 358  | 383  | 427 |
|                                 | Tap 3 | 225   | 260 | 286  | 319  | 357  | 399  | 427  | 466 |
|                                 | Tap 4 | 339   | 382 | 417  | 447  | 494  | 532  | 567  | 611 |
| Second Stage<br>"COOL"<br>Speed | Tap 1 | 330   | 360 | 403  | 444  | 488  | 521  | 563  | 600 |
|                                 | Tap 2 | 469   | 505 | 564  | 616  | 649  | 685  | 735  | 776 |
|                                 | Tap 3 | 631   | 671 | 734  | 782  | 832  | 894  | 931  | 974 |
|                                 | Tap 4 | 903   | 957 | 1016 | 1015 | 1013 | 1002 | 1002 | 998 |

#### AT "NORM" SETTING ("Adjust" Jumper at NORM Setting)

| Jumper<br>Speed Positions       |       | Motor Watts @ Various External Static Pressures - in. wg. |     |     |     |     |     |     |     |
|---------------------------------|-------|---|-----|-----|-----|-----|-----|-----|-----|
|                                 |       | 0.1   | 0.2 | 0.3 | 0.4 | 0.5 | 0.6 | 0.7 | 0.8 |
| "HEAT"<br>Speed                 | Tap 1 | 251   | 288 | 320 | 355 | 391 | 440 | 463 | 514 |
|                                 | Tap 2 | 348   | 397 | 433 | 482 | 515 | 565 | 607 | 650 |
|                                 | Tap 3 | 472   | 524 | 578 | 614 | 664 | 704 | 749 | 810 |
|                                 | Tap 4 | 696   | 740 | 792 | 856 | 886 | 939 | 984 | 983 |
| First Stage<br>"COOL"<br>Speed  | Tap 1 | 110   | 105 | 164 | 196 | 233 | 263 | 297 | 320 |
|                                 | Tap 2 | 152   | 182 | 205 | 244 | 271 | 300 | 347 | 387 |
|                                 | Tap 3 | 177   | 205 | 238 | 271 | 311 | 341 | 375 | 424 |
|                                 | Tap 4 | 254   | 298 | 331 | 367 | 408 | 444 | 473 | 527 |
| Second Stage<br>"COOL"<br>Speed | Tap 1 | 251   | 288 | 320 | 355 | 391 | 440 | 463 | 514 |
|                                 | Tap 2 | 348   | 397 | 433 | 482 | 515 | 565 | 607 | 650 |
|                                 | Tap 3 | 472   | 524 | 578 | 614 | 664 | 704 | 749 | 810 |
|                                 | Tap 4 | 696   | 740 | 792 | 856 | 886 | 939 | 984 | 983 |

#### AT "-" (Minus) SETTING ("Adjust" Jumper at "-" Setting)

| Jumper<br>Speed Positions       |       | Motor Watts @ Various External Static Pressures - in. wg. |     |     |     |     |     |     |     |
|---------------------------------|-------|---|-----|-----|-----|-----|-----|-----|-----|
|                                 |       | 0.1   | 0.2 | 0.3 | 0.4 | 0.5 | 0.6 | 0.7 | 0.8 |
| "HEAT"<br>Speed                 | Tap 1 | 189   | 228 | 263 | 294 | 328 | 358 | 403 | 430 |
|                                 | Tap 2 | 268   | 304 | 343 | 380 | 427 | 461 | 483 | 549 |
|                                 | Tap 3 | 355   | 401 | 431 | 487 | 523 | 569 | 611 | 642 |
|                                 | Tap 4 | 506   | 549 | 607 | 646 | 689 | 720 | 775 | 834 |
| First Stage<br>"COOL"<br>Speed  | Tap 1 | 88  | 119 | 139 | 173 | 198 | 244 | 260 | 275 |
|                                 | Tap 2 | 117   | 145 | 169 | 200 | 225 | 272 | 309 | 338 |
|                                 | Tap 3 | 130   | 161 | 187 | 217 | 253 | 286 | 325 | 368 |
|                                 | Tap 4 | 192   | 237 | 265 | 295 | 324 | 364 | 405 | 440 |
| Second Stage<br>"COOL"<br>Speed | Tap 1 | 189   | 228 | 263 | 294 | 328 | 358 | 403 | 430 |
|                                 | Tap 2 | 268   | 304 | 343 | 380 | 427 | 461 | 483 | 549 |
|                                 | Tap 3 | 355   | 401 | 431 | 487 | 523 | 569 | 611 | 642 |
|                                 | Tap 4 | 506   | 549 | 607 | 646 | 689 | 720 | 775 | 834 |

**ELECTRIC HEAT DATA**

**CBA25UHV-018 | SINGLE PHASE**

|               | Electric Heat Model Number  | Input |     |                   | Blower Motor Full Load Amps | <sup>2</sup> Minimum Circuit Ampacity | <sup>3</sup> Maximum Overcurrent Protection |
|---------------|---|-------|-----|-------------------|-----------------------------|---------------------------------------|---|
|               |   | Volt  | kW  | <sup>1</sup> Btuh |                             |                                       |   |
| <b>5 kW</b>   | ECBA25-5 (16Y36)<br>Terminal Block<br>ECBA25-5CB (16Y39)<br>30A Circuit Breaker     | 208   | 3.6 | 12,300            | 3.9                         | 27                                    | 30  |
|               |   | 220   | 4.0 | 13,800            | 3.9                         | 28                                    | 30  |
|               |   | 230   | 4.4 | 15,000            | 3.9                         | 29                                    | 30  |
|               |   | 240   | 4.8 | 16,400            | 3.9                         | 30                                    | 30  |
| <b>7.5 kW</b> | ECBA25-7.5 (16Y37)<br>Terminal Block<br>ECBA25-7.5CB (16Y41)<br>45A Circuit Breaker | 208   | 5.6 | 19,200            | 3.9                         | 39                                    | <sup>4</sup> <b>40</b>                      |
|               |   | 220   | 6.3 | 21,500            | 3.9                         | 41                                    | 45  |
|               |   | 230   | 6.9 | 23,500            | 3.9                         | 42                                    | 45  |
|               |   | 240   | 7.5 | 25,600            | 3.9                         | 44                                    | 45  |
| <b>10 kW</b>  | ECBA25-10 (16Y38)<br>Terminal Block<br>ECBA25-10CB (16Y42)<br>60A Circuit Breaker   | 208   | 7.2 | 24,600            | 3.9                         | 48                                    | <sup>4</sup> <b>50</b>                      |
|               |   | 220   | 8.0 | 27,500            | 3.9                         | 51                                    | 60  |
|               |   | 230   | 8.8 | 30,000            | 3.9                         | 53                                    | 60  |
|               |   | 240   | 9.6 | 32,700            | 3.9                         | 55                                    | 60  |

**ELECTRIC HEAT DATA**

**CBA25UHV-024 | SINGLE PHASE**

|               | Electric Heat Model Number  | Input |     |                   | Blower Motor Full Load Amps | <sup>2</sup> Minimum Circuit Ampacity | <sup>3</sup> Maximum Overcurrent Protection |
|---------------|---|-------|-----|-------------------|-----------------------------|---------------------------------------|---|
|               |   | Volt  | kW  | <sup>1</sup> Btuh |                             |                                       |   |
| <b>5 kW</b>   | ECBA25-5 (16Y36)<br>Terminal Block<br>ECBA25-5CB (16Y39)<br>30A Circuit Breaker     | 208   | 3.6 | 12,300            | 3.9                         | 27                                    | 30  |
|               |   | 220   | 4.0 | 13,800            | 3.9                         | 28                                    | 30  |
|               |   | 230   | 4.4 | 15,000            | 3.9                         | 29                                    | 30  |
|               |   | 240   | 4.8 | 16,400            | 3.9                         | 30                                    | 30  |
| <b>7.5 kW</b> | ECBA25-7.5 (16Y37)<br>Terminal Block<br>ECBA25-7.5CB (16Y41)<br>45A Circuit Breaker | 208   | 5.6 | 19,200            | 3.9                         | 39                                    | <sup>4</sup> <b>40</b>                      |
|               |   | 220   | 6.3 | 21,500            | 3.9                         | 41                                    | 45  |
|               |   | 230   | 6.9 | 23,500            | 3.9                         | 42                                    | 45  |
|               |   | 240   | 7.5 | 25,600            | 3.9                         | 44                                    | 45  |
| <b>10 kW</b>  | ECBA25-10 (16Y38)<br>Terminal Block<br>ECBA25-10CB (16Y42)<br>60A Circuit Breaker   | 208   | 7.2 | 24,600            | 3.9                         | 48                                    | <sup>4</sup> <b>50</b>                      |
|               |   | 220   | 8.0 | 27,500            | 3.9                         | 51                                    | 60  |
|               |   | 230   | 8.8 | 30,000            | 3.9                         | 53                                    | 60  |
|               |   | 240   | 9.6 | 32,700            | 3.9                         | 55                                    | 60  |

NOTE - Circuit 1 Minimum Circuit Ampacity includes the Blower Motor Full Load Amps.

<sup>1</sup> Electric heater capacity only - does not include additional blower motor heat capacity.

<sup>2</sup> Refer to National or Canadian Electrical Code manual to determine wire, fuse and disconnect size requirements. Use wires suitable for at least 167°F.

<sup>3</sup> HACR type breaker or fuse.

<sup>4</sup> **Bold indicates that the circuit breaker on "CB" circuit breaker models must be replaced with size shown. See tablepage 6.**

## ELECTRIC HEAT DATA

## CBA25UHV-030 | SINGLE PHASE

|         | Electric Heat Model Number | Input |      |                   | Blower Motor Full Load Amps | <sup>2</sup> Minimum Circuit Ampacity |       | <sup>3</sup> Maximum Overcurrent Protection |                 | Single Point Power Source             |   |
|---------|----------------------------|-------|------|-------------------|-----------------------------|---------------------------------------|-------|---|-----------------|---------------------------------------|---|
|         |                            | Volt  | kW   | <sup>1</sup> Btuh |                             | Ckt 1                                 | Ckt 2 | Ckt 1                                       | Ckt 2           | <sup>2</sup> Minimum Circuit Ampacity | <sup>3</sup> Maximum Overcurrent Protection |
| 5 kW    | ECBA25-5 (16Y36)           | 208   | 3.6  | 12,300            | 3.9                         | 27                                    | ---   | 30  | ---             | ---                                   | ---   |
|         | Terminal Block             |       |      |                   |                             |                                       |       |   |                 |                                       |   |
|         | ECBA25-5CB (16Y39)         | 220   | 4.0  | 13,800            | 3.9                         | 28                                    | ---   | 30  | ---             | ---                                   | ---   |
|         | 30A Circuit Breaker        | 230   | 4.4  | 15,000            | 3.9                         | 29                                    | ---   | 30  | ---             | ---                                   | ---   |
|         |                            | 240   | 4.8  | 16,400            | 3.9                         | 30                                    | ---   | 30  | ---             | ---                                   | ---   |
| 7.5 kW  | ECBA25-7.5 (16Y37)         | 208   | 5.6  | 19,200            | 3.9                         | 39                                    | ---   | <sup>4</sup> 40                             | ---             | ---                                   | ---   |
|         | Terminal Block             |       |      |                   |                             |                                       |       |   |                 |                                       |   |
|         | ECBA25-7.5CB (16Y41)       | 220   | 6.3  | 21,500            | 3.9                         | 41                                    | ---   | 45  | ---             | ---                                   | ---   |
|         | 45A Circuit Breaker        | 230   | 6.9  | 23,500            | 3.9                         | 42                                    | ---   | 45  | ---             | ---                                   | ---   |
|         |                            | 240   | 7.5  | 25,600            | 3.9                         | 44                                    | ---   | 45  | ---             | ---                                   | ---   |
| 10 kW   | ECBA25-10 (16Y38)          | 208   | 7.2  | 24,600            | 3.9                         | 48                                    | ---   | <b>50</b>                                   | ---             | ---                                   | ---   |
|         | Terminal Block             |       |      |                   |                             |                                       |       |   |                 |                                       |   |
|         | ECBA25-10CB (16Y42)        | 220   | 8.0  | 27,500            | 3.9                         | 51                                    | ---   | 60  | ---             | ---                                   | ---   |
|         | 60A Circuit Breaker        | 230   | 8.8  | 30,000            | 3.9                         | 53                                    | ---   | 60  | ---             | ---                                   | ---   |
|         |                            | 240   | 9.6  | 32,700            | 3.9                         | 55                                    | ---   | 60  | ---             | ---                                   | ---   |
| 12.5 kW | ECBA25-12.5CB (16Y43)      | 208   | 9.4  | 32,000            | 3.9                         | 42                                    | 19    | <sup>4</sup> 45                             | <sup>4</sup> 20 | 61                                    | 70  |
|         | (1) 50A and                |       |      |                   |                             |                                       |       |   |                 |                                       |   |
|         | (1) 25A Circuit Breaker    | 220   | 10.5 | 35,800            | 3.9                         | 45                                    | 20    | <sup>4</sup> 45                             | <sup>4</sup> 20 | 65                                    | 70  |
|         |                            | 230   | 11.5 | 39,200            | 3.9                         | 46                                    | 21    | 50  | 25              | 67                                    | 70  |
|         |                            | 240   | 12.5 | 42,600            | 3.9                         | 48                                    | 22    | 50  | 25              | 70                                    | 70  |
| 15 kW   | ECBA25-15CB (16Y44)        | 208   | 10.8 | 36,900            | 3.9                         | 48                                    | 22    | <sup>4</sup> 50                             | 25              | 70                                    | 70  |
|         | (1) 60A and                |       |      |                   |                             |                                       |       |   |                 |                                       |   |
|         | (1) 25A Circuit Breaker    | 220   | 12.1 | 41,300            | 3.9                         | 51                                    | 23    | 60  | 25              | 74                                    | 80  |
|         |                            | 230   | 13.2 | 45,100            | 3.9                         | 53                                    | 24    | 60  | 25              | 77                                    | 80  |
|         |                            | 240   | 14.4 | 49,100            | 3.9                         | 55                                    | 25    | 60  | 25              | 80                                    | 80  |

NOTE - Circuit 1 Minimum Circuit Ampacity includes the Blower Motor Full Load Amps.

<sup>1</sup> Electric heater capacity only - does not include additional blower motor heat capacity.

<sup>2</sup> Refer to National or Canadian Electrical Code manual to determine wire, fuse and disconnect size requirements. Use wires suitable for at least 167°F.

<sup>3</sup> HACR type breaker or fuse.

<sup>4</sup> **Bold indicates that the circuit breaker on "CB" circuit breaker models must be replaced with size shown. See tablepage 6.**



**ELECTRIC HEAT DATA**

**CBA25UHV-036 | SINGLE PHASE**

| Electric Heat Model Number  | Input |      |                   | Blower Motor Full Load Amps | <sup>2</sup> Minimum Circuit Ampacity |       | <sup>3</sup> Maximum Overcurrent Protection |                        | Single Point Power Source             |   |
|---|-------|------|-------------------|-----------------------------|---------------------------------------|-------|---|------------------------|---------------------------------------|---|
|   | Volt  | kW   | <sup>1</sup> Btuh |                             | Ckt 1                                 | Ckt 2 | Ckt 1                                       | Ckt 2                  | <sup>2</sup> Minimum Circuit Ampacity | <sup>3</sup> Maximum Overcurrent Protection |
| <b>5 kW</b> ECBA25-5 (16Y36)<br>Terminal Block<br>ECBA25-5CB (16Y39)<br>30A Circuit Breaker       | 208   | 3.6  | 12,300            | 3.9                         | 27                                    | ---   | 30  | ---                    | ---                                   | ---   |
|   | 220   | 4.0  | 13,800            | 3.9                         | 28                                    | ---   | 30  | ---                    | ---                                   | ---   |
|   | 230   | 4.4  | 15,000            | 3.9                         | 29                                    | ---   | 30  | ---                    | ---                                   | ---   |
|   | 240   | 4.8  | 16,400            | 3.9                         | 30                                    | ---   | 30  | ---                    | ---                                   | ---   |
| <b>7.5 kW</b> ECBA25-7.5 (16Y37)<br>Terminal Block<br>ECBA25-7.5CB (16Y41)<br>45A Circuit Breaker | 208   | 5.6  | 19,200            | 3.9                         | 39                                    | ---   | <sup>4</sup> <b>40</b>                      | ---                    | ---                                   | ---   |
|   | 220   | 6.3  | 21,500            | 3.9                         | 41                                    | ---   | 45  | ---                    | ---                                   | ---   |
|   | 230   | 6.9  | 23,500            | 3.9                         | 42                                    | ---   | 45  | ---                    | ---                                   | ---   |
|   | 240   | 7.5  | 25,600            | 3.9                         | 44                                    | ---   | 45  | ---                    | ---                                   | ---   |
| <b>10 kW</b> ECBA25-10 (16Y38)<br>Terminal Block<br>ECBA25-10CB (16Y42)<br>60A Circuit Breaker    | 208   | 7.2  | 24,600            | 3.9                         | 48                                    | ---   | <sup>4</sup> <b>50</b>                      | ---                    | ---                                   | ---   |
|   | 220   | 8.0  | 27,500            | 3.9                         | 51                                    | ---   | 60  | ---                    | ---                                   | ---   |
|   | 230   | 8.8  | 30,000            | 3.9                         | 53                                    | ---   | 60  | ---                    | ---                                   | ---   |
|   | 240   | 9.6  | 32,700            | 3.9                         | 55                                    | ---   | 60  | ---                    | ---                                   | ---   |
| <b>12.5 kW</b> ECBA25-12.5CB (16Y43)<br>(1) 50A and<br>(1) 25A Circuit Breaker                    | 208   | 9.4  | 32,000            | 3.9                         | 42                                    | 19    | <sup>4</sup> <b>45</b>                      | <sup>4</sup> <b>20</b> | 61                                    | 70  |
|   | 220   | 10.5 | 35,800            | 3.9                         | 45                                    | 20    | <sup>4</sup> <b>45</b>                      | <sup>4</sup> <b>20</b> | 65                                    | 70  |
|   | 230   | 11.5 | 39,200            | 3.9                         | 46                                    | 21    | 50  | 25                     | 67                                    | 70  |
|   | 240   | 12.5 | 42,600            | 3.9                         | 48                                    | 22    | 50  | 25                     | 70                                    | 70  |
| <b>15 kW</b> ECBA25-15CB (16Y44)<br>(1) 60A and<br>(1) 25A Circuit Breaker                        | 208   | 10.8 | 36,900            | 3.9                         | 48                                    | 22    | <sup>4</sup> <b>50</b>                      | 25                     | 70                                    | 70  |
|   | 220   | 12.1 | 41,300            | 3.9                         | 51                                    | 23    | 60  | 25                     | 74                                    | 80  |
|   | 230   | 13.2 | 45,100            | 3.9                         | 53                                    | 24    | 60  | 25                     | 77                                    | 80  |
|   | 240   | 14.4 | 49,100            | 3.9                         | 55                                    | 25    | 60  | 25                     | 80                                    | 80  |

NOTE - Circuit 1 Minimum Circuit Ampacity includes the Blower Motor Full Load Amps.

<sup>1</sup> Electric heater capacity only - does not include additional blower motor heat capacity.

<sup>2</sup> Refer to National or Canadian Electrical Code manual to determine wire, fuse and disconnect size requirements. Use wires suitable for at least 167°F.

<sup>3</sup> HACR type breaker or fuse.

<sup>4</sup> **Bold indicates that the circuit breaker on "CB" circuit breaker models must be replaced with size shown. See tablepage 6.**

**ELECTRIC HEAT DATA**

**CBA25UHV-042 | SINGLE PHASE**

| Electric Heat Model Number  | Input |      |                   | Blower Motor Full Load Amps | <sup>2</sup> Minimum Circuit Ampacity |       | <sup>3</sup> Maximum Overcurrent Protection |                        | Single Point Power Source             |   |
|---|-------|------|-------------------|-----------------------------|---------------------------------------|-------|---|------------------------|---------------------------------------|---|
|   | Volt  | kW   | <sup>1</sup> Btuh |                             | Ckt 1                                 | Ckt 2 | Ckt 1                                       | Ckt 2                  | <sup>2</sup> Minimum Circuit Ampacity | <sup>3</sup> Maximum Overcurrent Protection |
| <b>5 kW</b> ECBA25-5 (16Y36)<br>Terminal Block<br>ECBA25-5CB (16Y39)<br>30A Circuit Breaker       | 208   | 3.6  | 12,300            | 6.9                         | 30                                    | ---   | 30  | ---                    | ---                                   | ---   |
|   | 220   | 4.0  | 13,800            | 6.9                         | 32                                    | ---   | <sup>4</sup> <b>35</b>                      | ---                    | ---                                   | ---   |
|   | 230   | 4.4  | 15,000            | 6.9                         | 33                                    | ---   | <sup>4</sup> <b>35</b>                      | ---                    | ---                                   | ---   |
|   | 240   | 4.8  | 16,400            | 6.9                         | 34                                    | ---   | <sup>4</sup> <b>35</b>                      | ---                    | ---                                   | ---   |
| <b>7.5 kW</b> ECBA25-7.5 (16Y37)<br>Terminal Block<br>ECBA25-7.5CB (16Y41)<br>45A Circuit Breaker | 208   | 5.6  | 19,200            | 6.9                         | 42                                    | ---   | 45  | ---                    | ---                                   | ---   |
|   | 220   | 6.3  | 21,500            | 6.9                         | 44                                    | ---   | 45  | ---                    | ---                                   | ---   |
|   | 230   | 6.9  | 23,500            | 6.9                         | 46                                    | ---   | <sup>4</sup> <b>50</b>                      | ---                    | ---                                   | ---   |
|   | 240   | 7.5  | 25,600            | 6.9                         | 48                                    | ---   | <sup>4</sup> <b>50</b>                      | ---                    | ---                                   | ---   |
| <b>10 kW</b> ECBA25-10 (16Y38)<br>Terminal Block<br>ECBA25-10CB (16Y42)<br>60A Circuit Breaker    | 208   | 7.2  | 24,600            | 6.9                         | 52                                    | ---   | 60  | ---                    | ---                                   | ---   |
|   | 220   | 8.0  | 27,500            | 6.9                         | 54                                    | ---   | 60  | ---                    | ---                                   | ---   |
|   | 230   | 8.8  | 30,000            | 6.9                         | 57                                    | ---   | 60  | ---                    | ---                                   | ---   |
|   | 240   | 9.6  | 32,700            | 6.9                         | 59                                    | ---   | 60  | ---                    | ---                                   | ---   |
| <b>12.5 kW</b> ECBA25-12.5CB (16Y43)<br>(1) 50A and<br>(1) 25A Circuit Breaker                    | 208   | 9.4  | 32,000            | 6.9                         | 46                                    | 19    | 50  | <sup>4</sup> <b>20</b> | 65                                    | 70  |
|   | 220   | 10.5 | 35,800            | 6.9                         | 48                                    | 20    | 50  | <sup>4</sup> <b>20</b> | 68                                    | 70  |
|   | 230   | 11.5 | 39,200            | 6.9                         | 50                                    | 21    | 50  | 25                     | 71                                    | 80  |
|   | 240   | 12.5 | 42,600            | 6.9                         | 52                                    | 22    | <sup>4</sup> <b>60</b>                      | 25                     | 74                                    | 80  |
| <b>15 kW</b> ECBA25-15CB (16Y44)<br>(1) 60A and<br>(1) 25A Circuit Breaker                        | 208   | 10.8 | 36,900            | 6.9                         | 52                                    | 22    | 60  | 25                     | 74                                    | 80  |
|   | 220   | 12.1 | 41,300            | 6.9                         | 54                                    | 23    | 60  | 25                     | 77                                    | 80  |
|   | 230   | 13.2 | 45,100            | 6.9                         | 57                                    | 24    | 60  | 25                     | 80                                    | 80  |
|   | 240   | 14.4 | 49,100            | 6.9                         | 59                                    | 25    | 60  | 25                     | 84                                    | 90  |

NOTE - Circuit 1 Minimum Circuit Ampacity includes the Blower Motor Full Load Amps.

<sup>1</sup> Electric heater capacity only - does not include additional blower motor heat capacity.

<sup>2</sup> Refer to National or Canadian Electrical Code manual to determine wire, fuse and disconnect size requirements. Use wires suitable for at least 167°F.

<sup>3</sup> HACR type breaker or fuse.

<sup>4</sup> **Bold indicates that the circuit breaker on "CB" circuit breaker models must be replaced with size shown. See tablepage 6.**

**ELECTRIC HEAT DATA**

**CBA25UHV-048 | CBA25UHV-060 | SINGLE PHASE**

| Electric Heat Model Number  | Input |      |                   | Blower Motor Full Load Amps | <sup>2</sup> Minimum Circuit Ampacity |       | <sup>3</sup> Maximum Overcurrent Protection |                 | Single Point Power Source             |   |
|---|-------|------|-------------------|-----------------------------|---------------------------------------|-------|---|-----------------|---------------------------------------|---|
|   | Volt  | kW   | <sup>1</sup> Btuh |                             | Ckt 1                                 | Ckt 2 | Ckt 1                                       | Ckt 2           | <sup>2</sup> Minimum Circuit Ampacity | <sup>3</sup> Maximum Overcurrent Protection |
| <b>5 kW</b> ECBA25-5 (16Y36)<br>Terminal Block<br>ECBA25-5CB (16Y39)<br>30A Circuit Breaker       | 208   | 3.6  | 12,300            | 6.9                         | 30                                    | ---   | 30  | ---             | ---                                   | ---   |
|   | 220   | 4.0  | 13,800            | 6.9                         | 32                                    | ---   | <sup>4</sup> 35                             | ---             | ---                                   | ---   |
|   | 230   | 4.4  | 15,000            | 6.9                         | 33                                    | ---   | <sup>4</sup> 35                             | ---             | ---                                   | ---   |
|   | 240   | 4.8  | 16,400            | 6.9                         | 34                                    | ---   | <sup>4</sup> 35                             | ---             | ---                                   | ---   |
| <b>7.5 kW</b> ECBA25-7.5 (16Y37)<br>Terminal Block<br>ECBA25-7.5CB (16Y41)<br>45A Circuit Breaker | 208   | 5.6  | 19,200            | 6.9                         | 42                                    | ---   | 45  | ---             | ---                                   | ---   |
|   | 220   | 6.3  | 21,500            | 6.9                         | 44                                    | ---   | 45  | ---             | ---                                   | ---   |
|   | 230   | 6.9  | 23,500            | 6.9                         | 46                                    | ---   | <sup>4</sup> 50                             | ---             | ---                                   | ---   |
|   | 240   | 7.5  | 25,600            | 6.9                         | 48                                    | ---   | <sup>4</sup> 50                             | ---             | ---                                   | ---   |
| <b>10 kW</b> ECBA25-10 (16Y38)<br>Terminal Block<br>ECBA25-10CB (16Y42)<br>60A Circuit Breaker    | 208   | 7.2  | 24,600            | 6.9                         | 52                                    | ---   | 60  | ---             | ---                                   | ---   |
|   | 220   | 8.0  | 27,500            | 6.9                         | 54                                    | ---   | 60  | ---             | ---                                   | ---   |
|   | 230   | 8.8  | 30,000            | 6.9                         | 57                                    | ---   | 60  | ---             | ---                                   | ---   |
|   | 240   | 9.6  | 32,700            | 6.9                         | 59                                    | ---   | 60  | ---             | ---                                   | ---   |
| <b>12.5 kW</b> ECBA25-12.5CB (16Y43)<br>(1) 50A and<br>(1) 25A Circuit Breaker                    | 208   | 9.4  | 32,000            | 6.9                         | 46                                    | 19    | 50  | <sup>4</sup> 20 | 65                                    | 70  |
|   | 220   | 10.5 | 35,800            | 6.9                         | 48                                    | 20    | 50  | <sup>4</sup> 20 | 68                                    | 70  |
|   | 230   | 11.5 | 39,200            | 6.9                         | 50                                    | 21    | 50  | 25              | 71                                    | 80  |
|   | 240   | 12.5 | 42,600            | 6.9                         | 52                                    | 22    | <sup>4</sup> 60                             | 25              | 74                                    | 80  |
| <b>15 kW</b> ECBA25-15CB (16Y44)<br>(1) 60A and<br>(1) 25A Circuit Breaker                        | 208   | 10.8 | 36,900            | 6.9                         | 52                                    | 22    | 60  | 25              | 74                                    | 80  |
|   | 220   | 12.1 | 41,300            | 6.9                         | 54                                    | 23    | 60  | 25              | 77                                    | 80  |
|   | 230   | 13.2 | 45,100            | 6.9                         | 57                                    | 24    | 60  | 25              | 80                                    | 80  |
|   | 240   | 14.4 | 49,100            | 6.9                         | 59                                    | 25    | 60  | 25              | 84                                    | 90  |
| <b>20 kW</b> ECBA25-20CB (16Y46)<br>(1) 60A and<br>(1) 50A Circuit Breaker                        | 208   | 14.4 | 49,200            | 6.9                         | 52                                    | 43    | 60  | <sup>4</sup> 45 | 95                                    | 100   |
|   | 220   | 16.1 | 55,000            | 6.9                         | 54                                    | 46    | 60  | 50              | 100                                   | 100   |
|   | 230   | 17.6 | 60,100            | 6.9                         | 57                                    | 48    | 60  | 50              | 104                                   | 110   |
|   | 240   | 19.2 | 65,500            | 6.9                         | 59                                    | 50    | 60  | 50              | 109                                   | 110   |

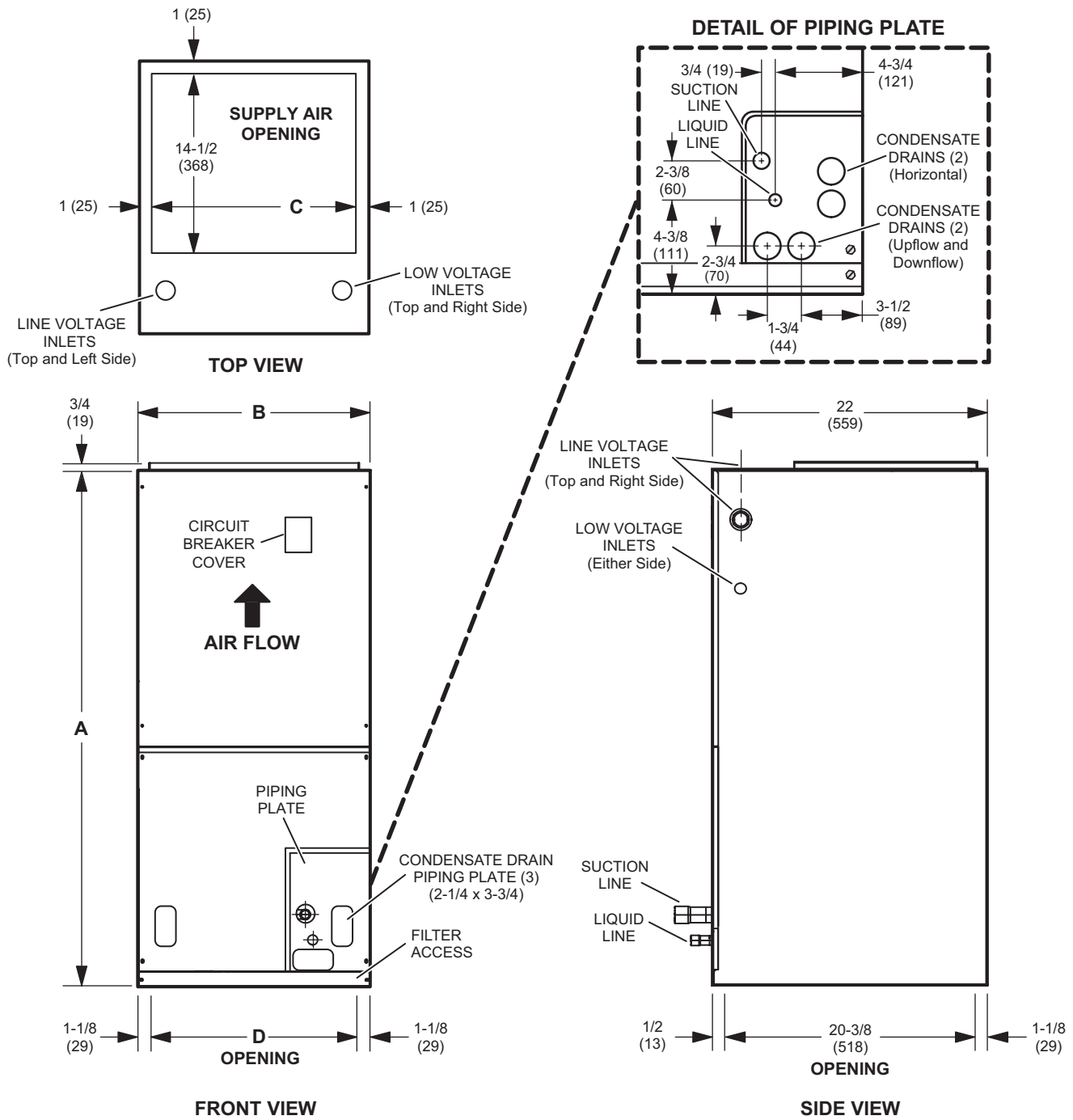
NOTE - Circuit 1 Minimum Circuit Ampacity includes the Blower Motor Full Load Amps.

<sup>1</sup> Electric heater capacity only - does not include additional blower motor heat capacity.

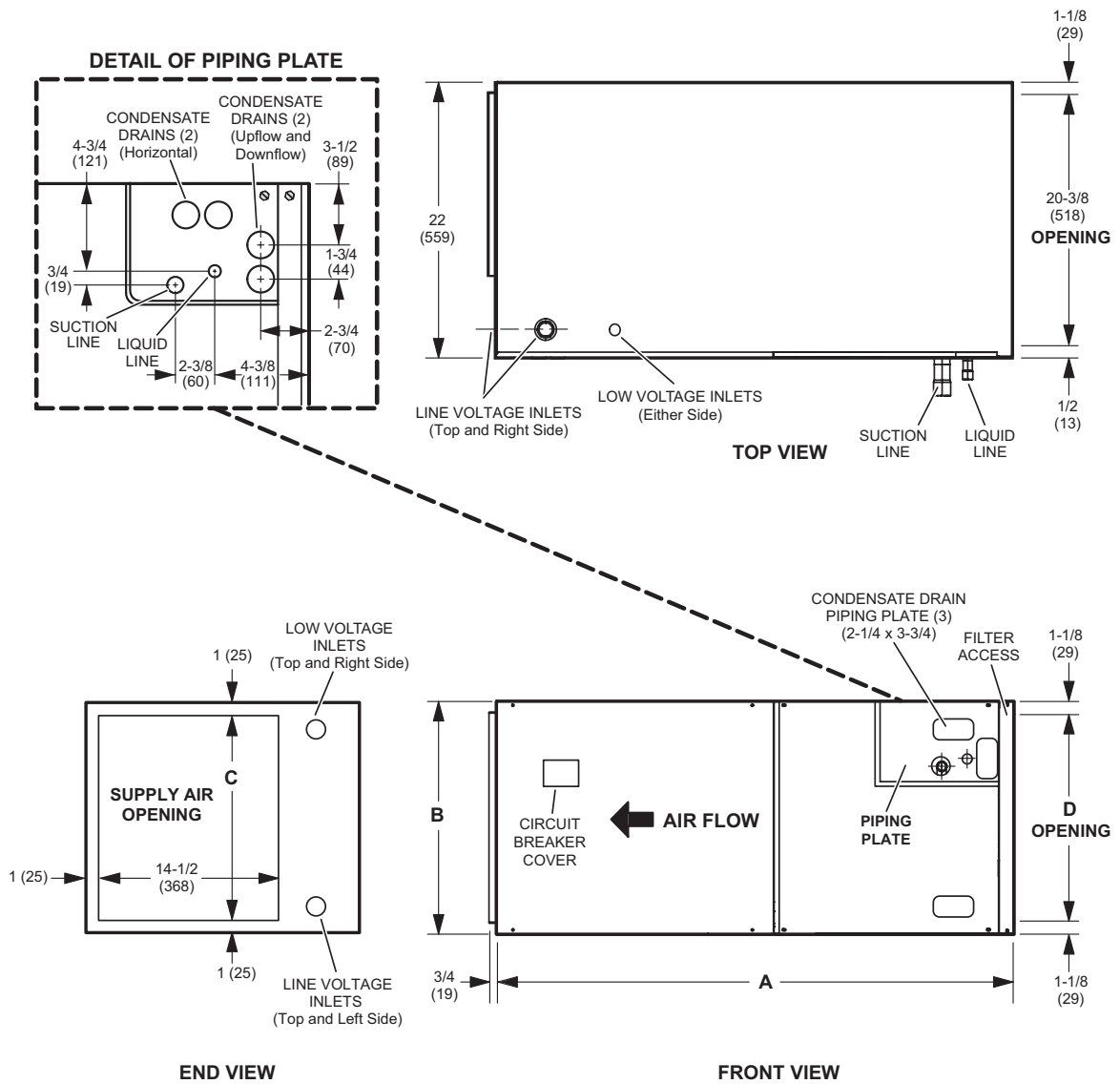
<sup>2</sup> Refer to National or Canadian Electrical Code manual to determine wire, fuse and disconnect size requirements. Use wires suitable for at least 167°F.

<sup>3</sup> HACR type breaker or fuse.

<sup>4</sup> Bold indicates that the circuit breaker on "CB" circuit breaker models must be replaced with size shown. See tablepage 6.

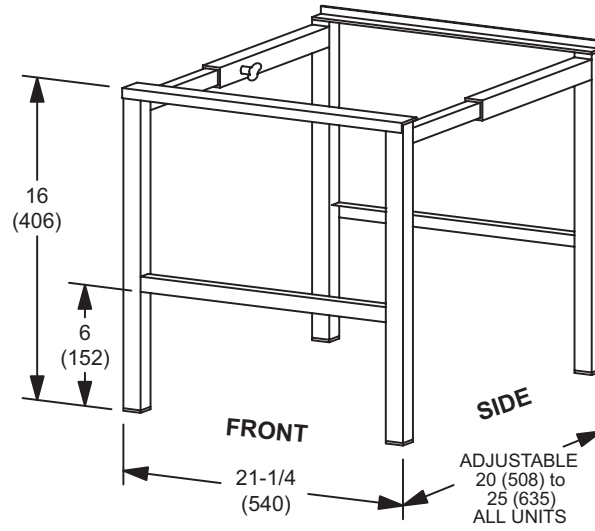


| Dimensions | 018    |      | 024    |      | 030    |      | 036, 042 |      | 048    |      | 060    |      |
|------------|--------|------|--------|------|--------|------|----------|------|--------|------|--------|------|
|            | in.    | mm   | in.    | mm   | in.    | mm   | in.      | mm   | in.    | mm   | in.    | mm   |
| <b>A</b>   | 43-1/2 | 1105 | 45-1/2 | 1156 | 47     | 1194 | 53-5/8   | 1362 | 55     | 1397 | 59-3/4 | 1518 |
| <b>B</b>   | 18-1/2 | 470  | 18-1/2 | 470  | 18-1/2 | 470  | 21-1/2   | 546  | 21-1/2 | 546  | 21-1/2 | 546  |
| <b>C</b>   | 16-1/2 | 419  | 16-1/2 | 419  | 16-1/2 | 419  | 19-1/2   | 495  | 19-1/2 | 495  | 19-1/2 | 495  |
| <b>D</b>   | 16-1/4 | 413  | 16-1/4 | 413  | 16-1/4 | 413  | 19-1/4   | 489  | 19-1/4 | 489  | 19-1/4 | 489  |



| Dimensions | 018    |      | 024    |      | 030    |      | 036, 042 |      | 048    |      | 060    |      |
|------------|--------|------|--------|------|--------|------|----------|------|--------|------|--------|------|
|            | in.    | mm   | in.    | mm   | in.    | mm   | in.      | mm   | in.    | mm   | in.    | mm   |
| <b>A</b>   | 43-1/2 | 1105 | 45-1/2 | 1156 | 47     | 1194 | 53-5/8   | 1362 | 55     | 1397 | 59-3/4 | 1518 |
| <b>B</b>   | 18-1/2 | 470  | 18-1/2 | 470  | 18-1/2 | 470  | 21-1/2   | 546  | 21-1/2 | 546  | 21-1/2 | 546  |
| <b>C</b>   | 16-1/2 | 419  | 16-1/2 | 419  | 16-1/2 | 419  | 19-1/2   | 495  | 19-1/2 | 495  | 19-1/2 | 495  |
| <b>D</b>   | 16-1/4 | 413  | 16-1/4 | 413  | 16-1/4 | 413  | 19-1/4   | 489  | 19-1/4 | 489  | 19-1/4 | 489  |

**SIDE RETURN UNIT STAND  
(Upflow Only)**





## REVISIONS

| Sections      | Description of Change  |
|---------------|--|
| Electric Heat | Added Circuit Breaker Cover as standard for all Electric Heat Circuit Breaker (CB) models. |



Visit us at [www.lennox.com](http://www.lennox.com)

For the latest technical information, [www.LennoxPros.com](http://www.LennoxPros.com)

Contact us at 1-800-4-LENNOX

NOTE - Due to Lennox' ongoing commitment to quality, Specifications, Ratings and Dimensions subject to change without notice and without incurring liability. Improper installation, adjustment, alteration, service or maintenance can cause property damage or personal injury. Installation and service must be performed by a qualified installer and servicing agency.

©2019 Lennox Industries, Inc.