

MINI-SPLIT SYSTEMS



MLB

Mini-Split

Low Ambient Single Zone Heat Pump Systems - R-410A - 60 Hz

**RESIDENTIAL / COMMERCIAL
PRODUCT SPECIFICATIONS**

Bulletin No. 210950
April 2023
Supersedes February 2022



MWMC Wall-Mounted
Non-Ducted Indoor Unit



M22A/M33C Cassette
Non-Ducted Indoor Unit



Wireless
Remote Controller
(furnished with
Wall-Mount,
Cassette, Console and
Ceiling/Floor
Non-Ducted Models)



MFMA Floor-Mount Console
Non-Ducted Indoor Unit



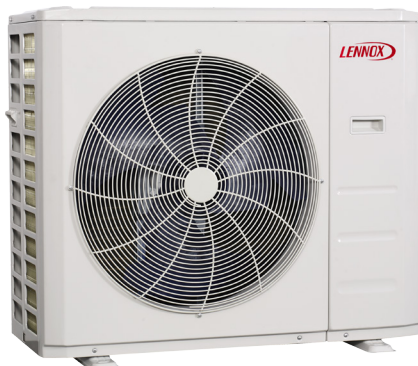
MCFA/MCFB Ceiling/Floor-Mount
Non-Ducted Indoor Unit



MMDB Medium Static Ducted Indoor Unit
with Wired Remote Controller (furnished)



MLB036 and 048 Heat Pump Outdoor Unit



MLB009 thru 036 Heat Pump Outdoor Units

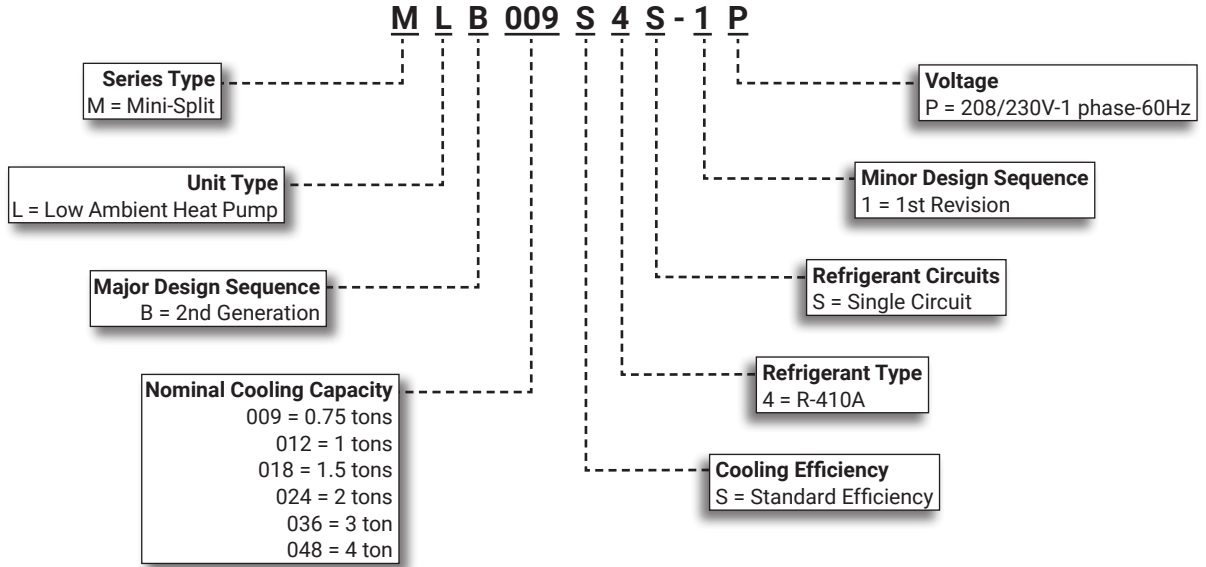


Certain models
have earned the
ENERGY STAR®
mark by meeting
strict energy
efficiency guidelines
set by the US EPA.

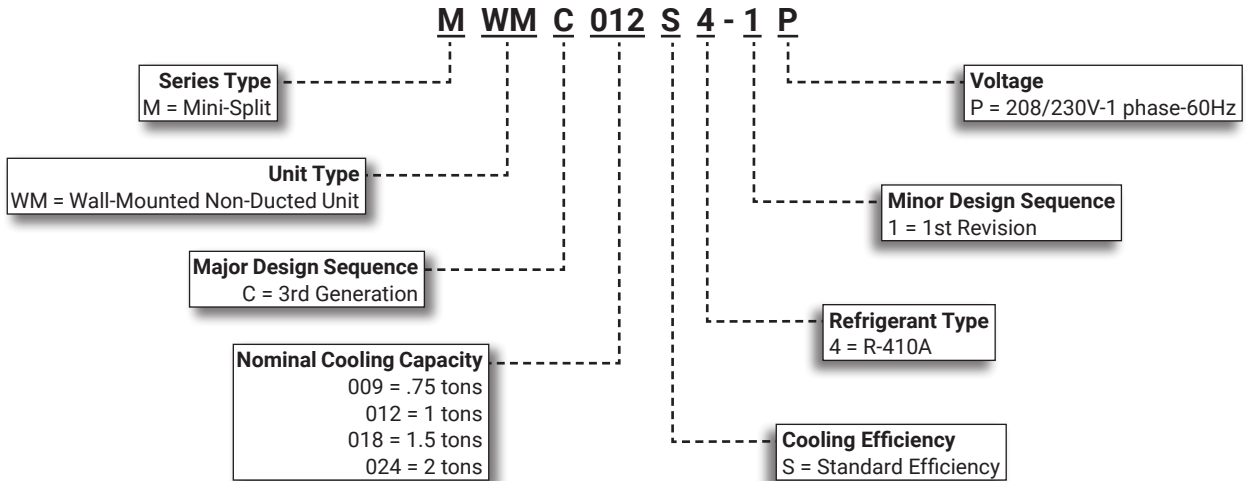
SEER2 - up to 28.1 / SEER - up to 28.1
HSPF2 up to 11.5 / HSPF - up to 13.0
0.75 to 4 Tons
Cooling Capacity - 8,800 to 48,000 Btuh
Heating Capacity - 9,800 to 53,000 Btuh

MODEL NUMBER IDENTIFICATION

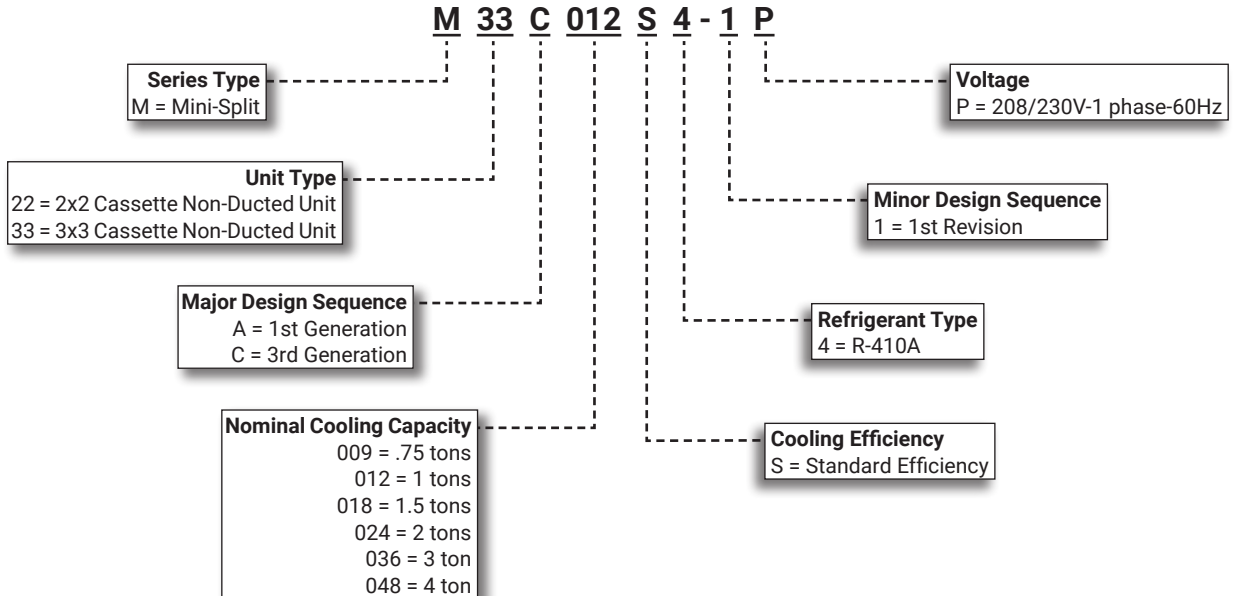
OUTDOOR SINGLE ZONE HEAT PUMP UNITS



WALL-MOUNTED INDOOR UNITS

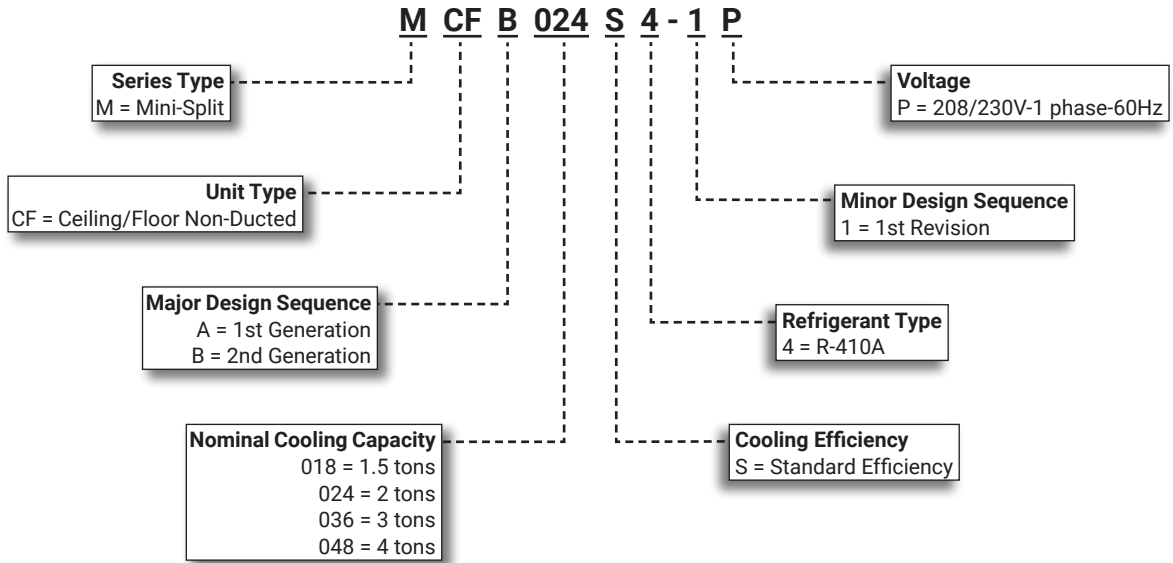


CASSETTE NON-DUCTED INDOOR UNITS

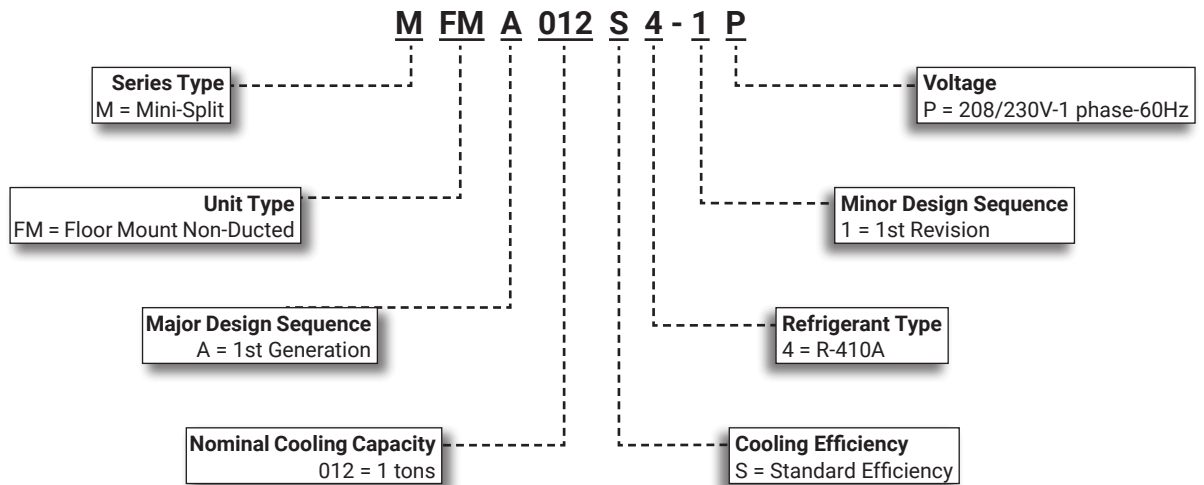


MODEL NUMBER IDENTIFICATION

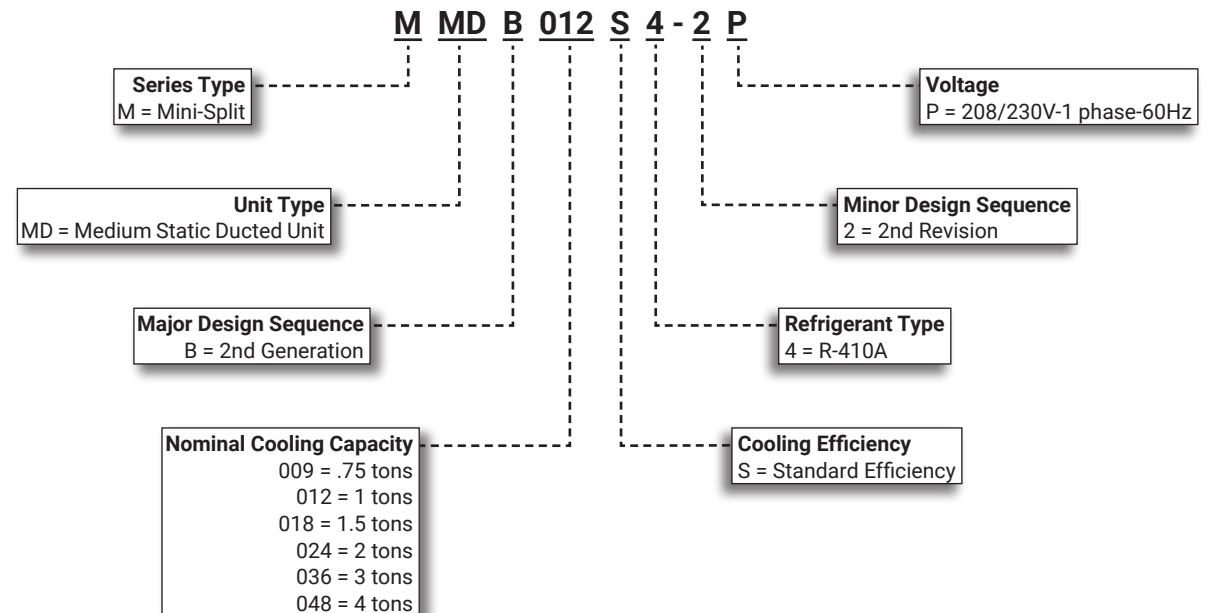
CEILING/FLOOR NON-DUCTED INDOOR UNITS



FLOOR-MOUNT CONSOLE NON-DUCTED INDOOR UNITS



MEDIUM STATIC DUCTED INDOOR UNITS



CONTENTS

AHRI System Matches	30
Air Throw Data.	38
- Cassette Indoor Units	40
- Ceiling/Floor Mount Indoor Units	41
- Wall-Mounted Indoor Units	38
Approvals And Warranty	5
Blower Data	43
- Medium Static Ducted Indoor Units	43
Cooling Capacity	32
Dimensions	50
- Cassette Indoor Units	55
- Ceiling/Floor Mount Indoor Units	57
- Floor Mount Console Indoor Unit	57
- Medium Static Ducted Indoor Units	58
- Outdoor Units	50
- Outdoor Units	51
- Wall-Mounted Indoor Units	53
- Wall-Mounted Indoor Units - Wall Plates	54
Features	5
- Indoor Units	7
- Outdoor Units	5
Heating Capacity	32
Installation Clearances	59
- Cassette Indoor Units	60
- Ceiling/Floor Mount Indoor Units	61
- Floor Mount Console Indoor Unit	62
- Medium Static Ducted Indoor Units	63
- Outdoor Units	59
- Wall-Mounted Indoor Units	60
Line Set And Elevation Guidelines	64
Model Number Identification.	2
Optional Accessories - Order Separately	29
Remote Controllers - Furnished	10
Sound Levels - Test Conditions	31
Specifications	23
- Cassette Indoor Units	26
- Ceiling/Floor Mount Indoor Units	27
- Floor Mount Console Indoor Units	27
- Medium Static Ducted Indoor Units	28
- Mlb Outdoor Units	23
- Wall-Mounted Indoor Units	25

APPROVALS AND WARRANTY

APPROVALS

- AHRI Standard 210/240 certified with Addenda 1 and 2
- ENERGY STAR® certified units (certain models) are designed to use less energy, help save money on utility bills, and help protect the environment
- Rated According to U.S. Department of Energy (DOE) test procedures
- Indoor and outdoor units and components UL and CEC bonded for grounding to meet safety standards for servicing
- ETL certified for the U.S. and Canada
- Meets 2014 Florida Building Code Wind Design Criteria
 - Ultimate Wind Speed – 186 miles per hour
 - Risk Categories – III and IV
 - Wind Exposures – C and D
 - Mean Roof Heights – Up to 60 feet above ground

WARRANTY

- Compressor - Limited seven years
- All other covered components
 - Limited five years in residential applications
 - Limited one year in non-residential applications
- Accessories and controls - Limited one year

NOTE - Refer to Lennox Basic Limited Warranty at www.Lennox.com for additional details.

FEATURES

APPLICATIONS

- 0.75 through 4 ton
- Single phase power supply (208/230V)
- Outdoor unit sound levels as low as 54.5 dBA
- Indoor unit sound levels as low as 23 dBA
- Ductless mini-split systems provide a wide range of capacities and applications and provide an alternative when a ducted system is impractical or cost prohibitive
- Units shipped completely factory assembled, internally piped, and wired

NOTE - Outdoor unit is designed for outdoor location only.

NOTE - It is recommended that Medium Static Ducted Indoor Units not be installed in unconditioned spaces with temperatures above 100°F.

REFRIGERATION SYSTEM

R-410A Refrigerant

- Non-chlorine, ozone friendly
- Unit is factory pre-charged

Outdoor Coil

- Aluminum fins fitted to copper tubes
- Wire grille guard provided

Outdoor Fan

- Direct drive fan moves large air volumes uniformly through entire outdoor coil for high refrigeration capacity
- Fan guard provided

OUTDOOR UNITS

Refrigerant Line Connections, Service Valve

- Flare connection lines are located on side of unit cabinet
- Fully serviceable brass service valve prevents corrosion and provides access to refrigerant system

COMPRESSOR

Variable Frequency Rotary Compressor

- Compressor features high efficiency operation
- Balanced for reduced vibration and quiet operation
- Brushless DC motor uses powerful Neodymium magnets, which are approximately 15-20 times stronger than ferrite magnets used in conventional AC compressors

Compressor Crankcase Heater

- Protects against liquid refrigerant migration that can occur during low ambient operation

CONTROLS

DC Inverter Control

- Provides continuous operation, while adjusting capacity according to room temperature
- The accurate sensing of cooling loads prevents frequent changes in capacity and ensures efficient, economical operation

Inverter Module Protection

- Protects against differences in current, voltage and temperature
- Displays code on the indoor unit indicating a need for servicing

CONTROLS (continued)**Outdoor Unit Microprocessor**

- Electronic expansion valve control
- Automatic compressor timed-off protection (3 minutes)
- Temperature sensor
- LEDs on control display error codes and assist in troubleshooting
- 4-Way reversing valve control

Electronic Expansion Valve

- Furnished on all models

Compressor Overcurrent Protection

- Overcurrent protection can result due to any of the following:
 - Ambient temperature is too high
 - Locked rotor on the compressor
 - Outdoor air is blocked or restricted

Condenser High Temperature Protection

- Condenser high temperature can occur due to any of the following conditions:
 - High outdoor ambient
 - Outdoor fan blocked
 - Outdoor coil blocked
- The outdoor coil thermistor continuously monitors the temperature and communicates with the microprocessor
- Depending on the temperature measured, the compressor will be allowed to increase the frequency if needed to meet the load or is forced to run at the current or reduced frequency
- If the temperature becomes excessively high the compressor will be de-energized

Compressor Discharge Temperature Protection

- The compressor discharge line thermistor continuously monitors the temperature and communicates with the microprocessor
- Depending on the temperature measured, the compressor will be allowed to increase the frequency to meet the load or is forced to run at the current or reduced frequency
- If the temperature becomes excessively high, the compressor will be de-energized

Voltage Protection

- Protects unit from low or high voltage fluctuations

Terminal Strip

- Furnished for easy wiring connections

Automatic Piping/Wiring Correction

- Automatically checks piping/wiring connections
- A "Check Switch" on outdoor unit control reviews zone wiring and piping connections and displays "CE" if all connections are correct
- If a unit(s) is not connected to the correct zone the control will automatically remap the wiring to the correct zone based on indoor unit size

Defrost Control

- Defrost cycle is automatically enabled if there is a build-up of frost on the outdoor coil
- Outdoor fan operation is terminated during the defrost cycle
- Indoor fan changes to ultra low speed during the defrost cycle to help bring warm refrigerant back to the outdoor coil to assist during defrost operation
- Defrost LED is lit on the indoor unit panel on the front cover during a defrost cycle

Reversing Valve

- 4-way interchange reversing valve effects a rapid change in direction of refrigerant flow resulting in quick changeover from cooling to heating and vice versa
- Valve operates on pressure differential between outdoor unit and indoor unit of the system

CABINET

- Constructed of heavy gauge steel
- Tabs on unit base allow secure mounting to slab
- Condensate drain outlets furnished on unit base

NOTE - Drain must be field furnished.

- Pan heater prevents ice build-up in the bottom of the unit during heating operation
- Access cover for power and control wiring connections
- Access cover for service valves

WALL-MOUNTED INDOOR UNITS

- Low-sound, three-speed Wall Mount with LED display offers three access points for refrigerant outlet pipes: left, right or rear
- The front panel can be raised for accessible wiring and maintenance
- Swing louver angles to 90°
- Unit installs horizontally on a vertical wall
- **Pre-Heat Function** - Delays the operation of the fan until the indoor coil has reached a pre-determined temperature which prevents the discharge of cold air while the system is operating in the "heating" mode
- **LED Readout** - Mounted on unit. LED displays unit operation status, and codes for maintenance and servicing
- **Auto Restart** - Automatically restores the previous function setting if power is interrupted
- **Cooling Override** - Button on the indoor unit allows a temporary 30 minute override of the system for forced "AUTO" or "COOLING" operation
- **Flare Connections** - Equipped with liquid and gas flare fittings for quick and secure piping
- **Multi-Refrigerant Outlet** - Allows left, right, or rear access for refrigeration line connection
- **Three Speed Fan** - Fan functions at three speeds: low, medium and high
- **Air Filter** - Cleanable air filter is furnished as standard
- **Wireless Remote Controller** - Furnished as standard, see Page 10

CASSETTE INDOOR UNITS

- Low-sound and encased in galvanized steel, the Cassette unit with LED display offers 360° airflow for immediate, equal distribution of wide-range cooling and heating
- 360° Airflow Panel - Allows for even, wide-range cooling and heating
- Pre-Heat Function - Delays the operation of the fan until the indoor coil has reached a pre-determined temperature which prevents the discharge of cold air while the system is operating in the "heating" mode
- **LED Readout/Infrared Receiver Panel** - Mounted on unit. LEDs display unit operation status, and codes for maintenance and servicing
- Infrared receiver for use with wireless remote controller (furnished)
- **Auto Restart** - Automatically restores the previous function setting if power is interrupted
- **Cooling Override** - Button on the indoor unit allows a temporary 30 minute override of the system for forced "AUTO" or "COOLING" operation
- **Built-In Condensate Pump** - 27-1/2 in. maximum lift
- **Compact Design** - Allows accessible wiring and space-saving installation with reduced width and depth
- **Flare Connections** - Equipped with liquid and gas flare fittings for quick and secure piping
- **Three Speed Fan** - Fan functions at three speeds: low, medium and high
- **Turbo Fan With Backward Curved Blades** - Reduces sound levels and air resistance
- **Air Filter** - Cleanable air filter is furnished as standard
- **Wireless Remote Controller** - Furnished as standard, see Page 16 for M22A and Page 13 for M33C

NOTE - The cassette panel must be ordered separately. See Specifications table for ordering information.

CEILING/FLOOR MOUNT INDOOR UNITS



- Low-sound, three-speed Ceiling and Floor Mount models with LED display has a multi-blade fan that distributes air vertically and horizontally with a wide angle sweeping motion
- Two installation options are available:
 1. Horizontally against the ceiling
 2. Vertically against the floor/wall
- **Pre-Heat Function** - Delays the operation of the fan until the indoor coil has reached a pre-determined temperature which prevents the discharge of cold air while the system is operating in the "heating" mode
- **LED Readout/Infrared Receiver Panel** - Mounted on unit. LEDs display unit operation status, and codes for maintenance and servicing
- Infrared receiver for use with wireless remote controller (furnished)



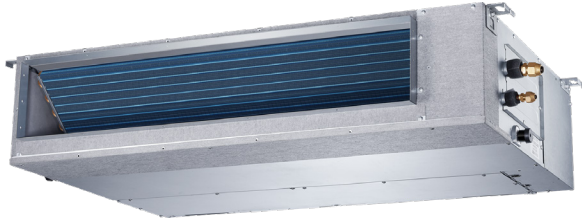
NOTE - Readout panel design varies depending on unit size.

- **Auto Restart** - Automatically restores the previous function setting if power is interrupted
- **Cooling Override** - Button on the indoor unit allows a temporary 30 minute override of the system for forced "AUTO" or "COOLING" operation
- **Flare Connections** - Equipped with liquid and gas flare fittings for quick and secure piping
- **Multi-Refrigerant Outlet** - Allows left, right, or rear access for refrigeration line connection
- **Three Speed Fan** - Fan functions at three speeds: low, medium and high
- **Air Filter** - Cleanable air filter is furnished as standard
- **Wireless Remote Controller** - Furnished as standard, see Page 16

FLOOR MOUNT CONSOLE INDOOR UNIT



- Low-sound, three-speed Floor Mount Console model with LED display has a multi-blade fan that distributes air vertically and horizontally with a wide angle sweeping motion
- Installed vertically against the floor/wall
- Swing louver angles to 90°
- **Pre-Heat Function** - Delays the operation of the fan until the indoor coil has reached a pre-determined temperature which prevents the discharge of cold air while the system is operating in the "heating" mode
- **LED Readout/Infrared Receiver Panel** - Mounted on unit. LEDs display unit operation status, and codes for maintenance and servicing
- Infrared receiver for use with wireless remote controller (furnished)
- **Auto Restart** - Automatically restores the previous function setting if power is interrupted
- **Cooling Override** - Button on the indoor unit allows a temporary 30 minute override of the system for forced "AUTO" or "COOLING" operation
- **Flare Connections** - Equipped with liquid and gas flare fittings for quick and secure piping
- **Condensate Drain Connection** - Rear of unit
- **Condensate Flex Adaptor** - Flex adaptor and hose clamps are furnished for drain connection
- **Three Speed Fan** - Fan functions at three speeds: low, medium and high
- **Air Filter** - Cleanable air filter is furnished as standard
- **Hanging Brackets (2)** - Furnished for installation
- **Wireless Remote Controller** - Furnished as standard, see Page 16

MEDIUM STATIC DUCTED INDOOR UNITS

- Slim, compact design for limited space requirements. Installs out of sight between the drop ceiling and ceiling slab with ducted distribution to the indoor space
- **Pre-Heat Function** - Delays the operation of the fan until the indoor coil has reached a pre-determined temperature which prevents the discharge of cold air while the system is operating in the "heating" mode
- **LED Readout Panel** - Mounted in the unit control box unit. LEDs display unit operation status, and codes for maintenance and servicing
- **Auto Restart** - Automatically restores the previous function setting if power is interrupted
- **Cooling Override** - Button on the indoor unit allows a temporary 30 minute override of the system for forced "AUTO" or "COOLING" operation
- **Built-In Condensate Pump** - 27-1/2 inch lift
- **Duct Connections** - Return air connections can be made horizontally or from the bottom of the unit with interchangeable panel
- **Flare Connections** - Equipped with liquid and gas flare fittings for quick and secure piping
- **Three Speed Fan** - Fan functions at three speeds: low, medium and high
- **Air Filter** - Cleanable air filter is furnished as standard
- **Wired Remote Controller** - Furnished as standard, see Page 19

AUTO CHANGEOVER OPERATION

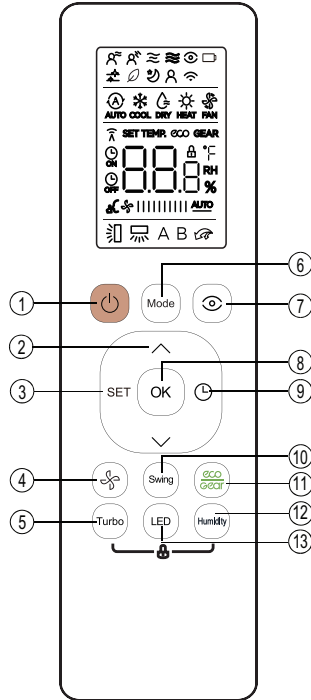
- If the indoor unit is set to "AUTO" mode the unit will operate in cooling, heating or fan mode based on temperature setting
- Fan runs in auto mode

REMOTE CONTROLLERS - FURNISHED

WIRELESS REMOTE CONTROLLER (RG10L-WM)

(FURNISHED WITH WALL-MOUNT INDOOR UNITS)

- Complete remote control of system
- Maximum operating range is 25 ft.
- Operates on two AAA 1.5V batteries (furnished)
- Wireless remote controller holder furnished
- Holder can be mounted on a wall for easy access
- Mounting screws furnished



1 ON/OFF Button

- Turns system on and off

2 UP/DOWN Buttons ^ v

- Increase or decrease the indoor temperature in one degree increments (maximum 86°F, minimum 60°F)

NOTE - Temperature cannot be adjusted in FAN mode.

NOTE - Press and hold and buttons together for 3 seconds to alternate the temperature display between the °C and °F scale.

3 SET Button

- Scrolls through unit operations in this order:

1. Breeze Away
2. Active Clean
3. Sleep
4. Follow Me

NOTE - The selected symbol will flash on the display area. Press the OK button to confirm.

4 FAN Button

- Cycles fan speeds in the following order:
 - AUTO → 20% → 40% → 60% → 80% → 100%

5 TURBO Button

- Enables the unit to reach the preset temperature during cooling or heating operation in the shortest time

6 MODE Button

- Select system operation modes
- Press button to cycle through each setting:
 - AUTO → COOL → DRY → HEAT → FAN

7 ECO INTELLIGENT EYE Button

- Automatically detects human activity in the room
- If there is no activity for 30 minutes sensor reduces compressor operating frequency for cooling/heating/auto modes for increased efficiency
- Remains in this mode until activity is detected again

8 OK Button

- Confirms selected function

9 TIMER Button

- Initiates an auto-on or auto-off time sequence
- Press TIMER button to initiate the ON time sequence
- Press Temp. up or down button for multiple times to set the desired time to turn on the unit
- Press TIMER button to initiate the OFF time sequence.

NOTE - Each press of the button increases or decreases the time (depending on function) in 30 minute increments up to 10 hours.

Above 10 hours each press of the button will increase or decrease the auto-timed setting by 60 minutes up to 24 hours.

To cancel, set timer to 0.0 or turn remote off and on.

10 SWING Button

- Used to stop or start louver auto swing feature

11 ECO/GEAR Button

- Controls temperature/energy efficiency of the unit

NOTE - Only available in cooling mode.

ECO Operation

- Sets unit to 75°F unit operation if setpoint is lower
- Sets fan to Auto operation if setpoint is over 75°F

NOTE - If setpoint is manually changed to less than 75°F, ECO operation is canceled.

GEAR Operation

- Reduces electrical consumption to 75% or 50%

12 HUMIDITY Button

- Adjusts the room humidity during DRY mode from 35% to 85%
- Each press of the button increases the humidity in 5% increments

13 LED Button












- Turns the LCD display backlight on the indoor unit on or off

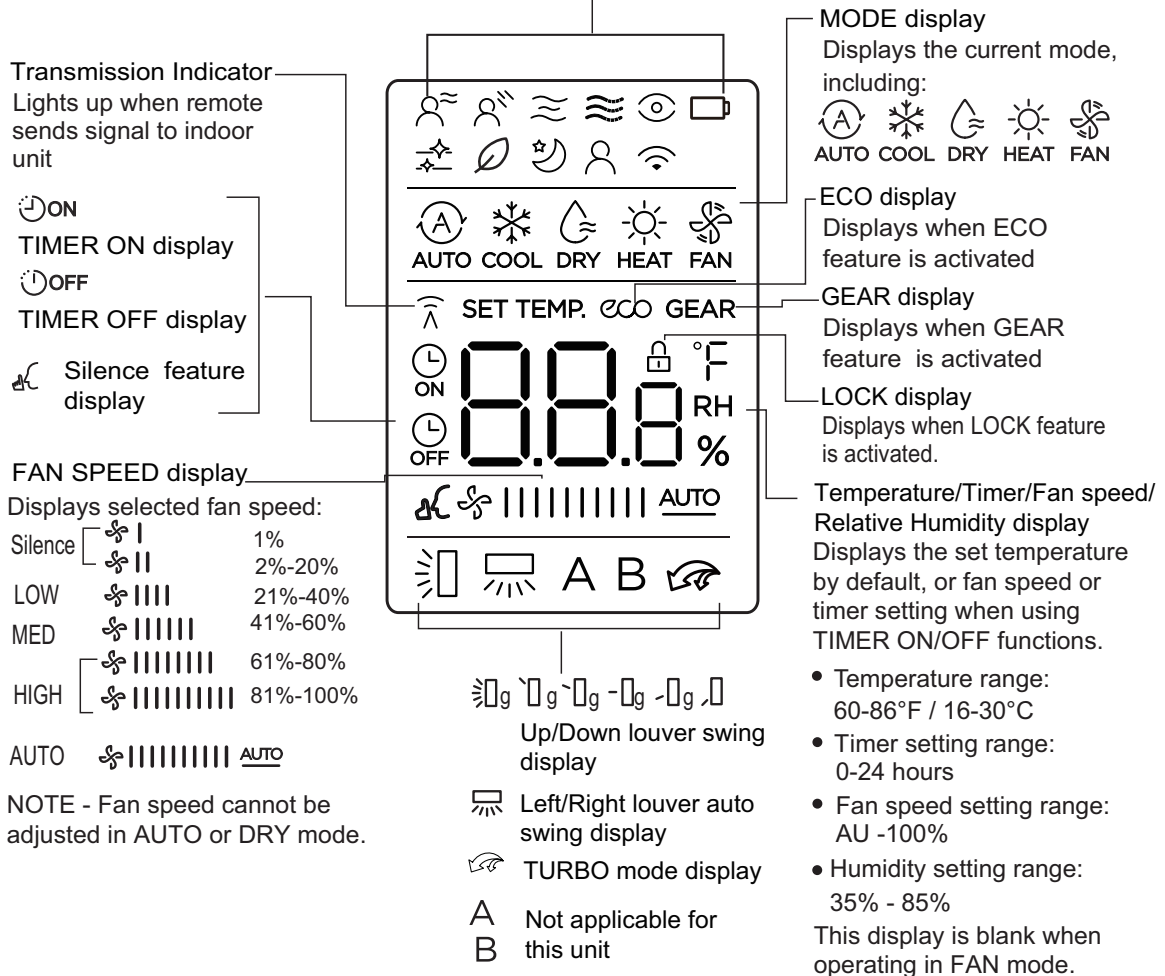
NOTE - Press and hold the button for 5 seconds to display the actual room temperature. Press more than 5 seconds to revert back to display set temperature.

REMOTE CONTROLLERS - FURNISHED

WIRELESS REMOTE CONTROLLER INDICATORS (RG10L-WM)

Information is displayed when the Wireless Remote Controller is powered on.

- | | | | |
|---|---|---|-------------------------------------|
|  | Not applicable for this unit |  | Active Clean feature display |
|  | Breeze Away feature display |  | Not applicable for this unit |
|  | Not applicable for this unit |  | Sleep feature display |
|  | Not applicable for this unit |  | Follow Me feature display |
|  | ECO Intelligent Eye display
(certain units) |  | Not applicable for this unit |
| | |  | Low battery detection (flashing) |



Note:
All icons are shown for display purposes only.
During actual unit operation, only active icons are displayed.

REMOTE CONTROLLERS - FURNISHED

WIRELESS REMOTE CONTROLLER OPERATION (RG10L-WM)

Auto Operation

1. Press the **MODE** button to select Auto.
2. Press the **UP/DOWN** button to set the desired temperature.
3. Press the **ON/OFF** button to start the system.

Cooling /Heating/Fan Operation

1. Press the **MODE** button to select **COOL**, **HEAT** or **FAN** mode.
2. Press the **UP/DOWN** buttons to set the desired temperature.
3. Press the **FAN** button to select the fan speed.
4. Press the **ON/OFF** button to start the system.

Dehumidifying (DRY) Operation

1. Press the **MODE** button to select **DRY** mode.
2. Press the **UP/DOWN** buttons to set the desired temperature.
3. Press the **ON/OFF** button to start the system.

NOTE - Fan speed selection is disabled.

Timer ON/OFF Operation

1. Press the **TIMER** button. The remote controller shows **TIMER ON** or **TIMER OFF** icon
2. Press the **TIMER** button again to set desired time. Each time the button is pressed the time increases by 30 minutes between 0 and 10 hours and then by 60 minutes between 10 and 24 hours.
3. After setting the **TIMER ON** or **TIMER OFF** there will be a one second delay before the remote controller transmits the signal to the unit. After approximately 2 seconds the set temperature will re-appear on the LCD display window.

Silence Operation

1. Press the **FAN** button for more than 2 seconds to activate or disable the Silence function

Lock Function

1. Press the **TURBO** and **HUMIDITY** buttons together two times in less than one second to lock the Controller to prevent tampering
2. Press the **TURBO** and **HUMIDITY** together buttons again for two seconds to unlock the Controller

Swing Function

1. Press the Swing button to activate up/down louver operation. Louvers oscillate up and down automatically. Press and hold the Swing button again to disable.

NOTE - Pressing the Swing button multiple times will set the louvers at five different fixed airflow angles.

2. Press and hold Swing button for 2 seconds to activate left/right louver operation. Louvers swing left and right automatically.

SET BUTTON FUNCTIONS

Breeze Away

- Prevents unit from blowing air directly on a person

NOTE - Only available in COOL, FAN or DRY modes.

Active Clean

- Washes away dust, mold, and grease that may cause odors when it adheres to the indoor coil by automatically freezing and then rapidly thawing the coil
- Indoor unit displays "CL"
- After 20 to 45 minutes the unit will automatically turn cancel the operation

NOTE - Only available in COOL or DRY modes.

Sleep

- Enables the system to automatically increase cooling or decrease heating (in 2°F increments) per hour for the first 2 hours, then maintain a steady temperature for 5 hours
- System keeps the final operation mode after 8 total hours of operation

NOTE - To cancel, push the "MODE", "FAN SPEED" or "ON/OFF" buttons.

SLEEP mode is only available when the unit is in COOL, HEAT or AUTO mode

Follow Me

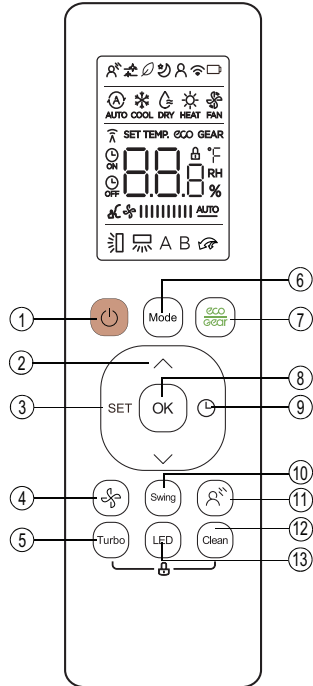
- Allows remote temperature sensing of the room at the remote controller location

REMOTE CONTROLLERS - FURNISHED

WIRELESS REMOTE CONTROLLER (RG10B-CSWHB)

(FURNISHED WITH M33C CASSETTE INDOOR UNITS)

- Complete remote control of system
- Maximum operating range is 25 ft.
- Operates on two AAA 1.5V batteries (furnished)
- Wireless remote controller holder furnished
- Holder can be mounted on a wall for easy access
- Mounting screws furnished



1 ON/OFF Button

- Turns system on and off

2 UP/DOWN Buttons ^ v

- Increase or decrease the indoor temperature in one degree increments (maximum 86°F, minimum 60°F)

NOTE - Temperature cannot be adjusted in FAN mode.

NOTE - Press and hold and buttons together for 3 seconds to alternate the temperature display between the °C and °F scale.

3 SET Button

- Scrolls through unit operations in this order:

3. Sleep

4. Follow Me

NOTE - The selected symbol will flash on the display area. Press the OK button to confirm.

4 FAN Button

- Cycles fan speeds in the following order:
 - AUTO → 20% → 40% → 60% → 80% → 100%

NOTE - Holding Fan button down for 2 seconds will activate **Silence** feature.

5 TURBO Button

- Enables the unit to reach the preset temperature during cooling or heating operation in the shortest time

6 MODE Button

- Select system operation modes
- Press button to cycle through each setting:
 - AUTO → COOL → DRY → HEAT → FAN

7 ECO/GEAR Button

- Controls temperature/energy efficiency of the unit

NOTE - Only available in cooling mode.

ECO Operation

- Sets unit to 75°F unit operation if setpoint is lower
- Sets fan to Auto operation if setpoint is over 75°F

NOTE - If setpoint is manually changed to less than 75°F, ECO operation is canceled.

GEAR Operation

- Reduces electrical consumption to 75% or 50%

8 OK Button

- Confirms selected function

9 TIMER Button

- Initiates an auto-on or auto-off time sequence
- Press TIMER button to initiate the ON time sequence
- Press Temp. up or down button for multiple times to set the desired time to turn on the unit
- Press TIMER button to initiate the OFF time sequence.

NOTE - Each press of the button increases or decreases the time (depending on function) in 30 minute increments up to 10 hours.

Above 10 hours each press of the button will increase or decrease the auto-timed setting by 60 minutes up to 24 hours.

To cancel, set timer to 0.0 or turn remote off and on.

10 SWING Button

- Used to stop or start louver auto swing feature

11 BREEZE AWAY Button

- Prevents unit from blowing air directly on a person

NOTE - Only available in COOL, FAN or DRY modes.

12 CLEAN Button

- Start/stop the Active Clean function (see description on Page 15)

13 LED Button

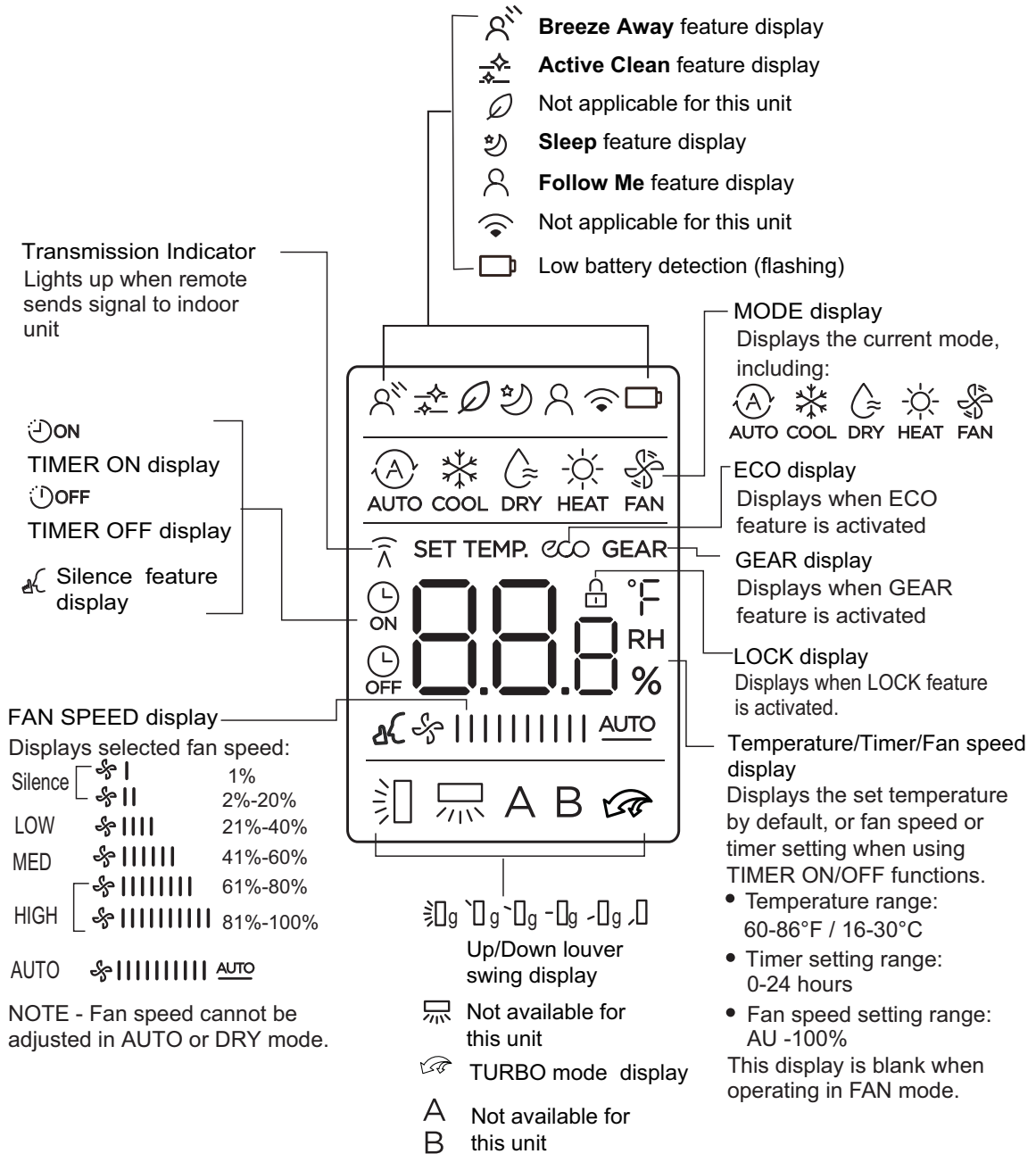
- Turns the LCD display backlight on the indoor unit on or off

NOTE - Press and hold the button for 5 seconds to display the actual room temperature. Press more than 5 seconds to revert back to display set temperature.

REMOTE CONTROLLERS - FURNISHED

WIRELESS REMOTE CONTROLLER INDICATORS (RG10B-CSWHB)

Information is displayed when the Wireless Remote Controller is powered on.



Note:

All icons are shown for display purposes only.
During actual unit operation, only active icons are displayed.

REMOTE CONTROLLERS - FURNISHED

WIRELESS REMOTE CONTROLLER OPERATION (RG10B-CSWHB)

Auto Operation

1. Press the **MODE** button to select Auto.
2. Press the **UP/DOWN** button to set the desired temperature.
3. Press the **ON/OFF** button to start the system.

Cooling /Heating/Fan Operation

1. Press the **MODE** button to select **COOL, HEAT** or **FAN** mode.
2. Press the **UP/DOWN** buttons to set the desired temperature.
3. Press the **FAN** button to select the fan speed in four steps- Auto, Low, Med or High.
4. Press the **ON/OFF** button to start the system.

Dehumidifying (DRY) Operation

1. Press the **MODE** button to select **DRY** mode.
2. Press the **UP/DOWN** buttons to set the desired temperature.
3. Press the **ON/OFF** button to start the system.

NOTE - Fan speed selection is disabled.

Timer ON/OFF Operation

1. Press the **TIMER** button. The remote controller shows **TIMER ON** or **TIMER OFF** icon
2. Press the **TIMER** button again to set desired time. Each time the button is pressed the time increases by 30 minutes between 0 and 10 hours and then by 60 minutes between 10 and 24 hours.
3. After setting the **TIMER ON** or **TIMER OFF** there will be a one second delay before the remote controller transmits the signal to the unit. After approximately 2 seconds the set temperature will re-appear on the LCD display window.

Silence Operation

1. Press the **FAN** button for more than 2 seconds to activate or disable the Silence function

Lock Function

1. Press the **TURBO** and **CLEAN** buttons together two times in less than one second to lock the Controller to prevent tampering
2. Press the **TURBO** and **CLEAN** together buttons again for two seconds to unlock the Controller

Swing Function

1. Press the **Swing** button to activate up/down louver operation. Louvers oscillate up and down automatically. Press and hold the Swing button again to disable.

NOTE - Pressing the Swing button multiple times will set the louvers at five different fixed airflow angles.

SET BUTTON FUNCTIONS

Sleep

- Enables the system to automatically increase cooling or decrease heating (in 2°F increments) per hour for the first 2 hours, then maintain a steady temperature for 5 hours
- System keeps the final operation mode after 8 total hours of operation

NOTE - To cancel, push the "MODE", "FAN SPEED" or "ON/OFF" buttons.

SLEEP mode is only available when the unit is in COOL, HEAT or AUTO mode

Follow Me

- Allows remote temperature sensing of the room at the remote controller location

CLEAN FUNCTION

Active Clean

- Washes away dust, mold, and grease that may cause odors when it adheres to the indoor coil by automatically freezing and then rapidly thawing the coil
- Indoor unit displays "CL"
- After 20 to 45 minutes the unit will automatically turn cancel the operation

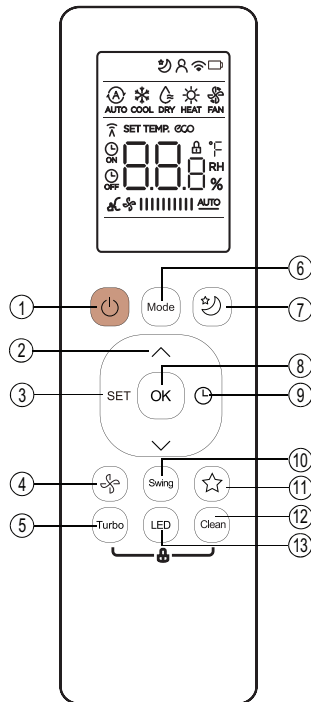
NOTE - Only available in COOL or DRY modes.

REMOTE CONTROLLERS - FURNISHED

WIRELESS REMOTE CONTROLLER (RG10B-DCFC)

(FURNISHED WITH M22A CASSETTE, FLOOR-MOUNT, CEILING/FLOOR AND CONSOLE MOUNT INDOOR UNITS. OPTIONAL FOR DUCTED INDOOR UNITS)

- Complete remote control of system
- Maximum operating range is 25 ft.
- Operates on two AAA 1.5V batteries (furnished)
- Wireless remote controller holder furnished
- Holder can be mounted on a wall for easy access
- Mounting screws furnished



1 ON/OFF Button

- Turns system on and off

2 UP/DOWN Buttons ^ v

- Increase or decrease the indoor temperature in one degree increments (maximum 86°F, minimum 62°F)

NOTE - Temperature cannot be adjusted in FAN mode.

NOTE - Press and hold and buttons together for 3 seconds to alternate the temperature display between the °C and °F scale.

3 SET Button

- Scrolls through unit operations in this order:

1. Follow Me

NOTE - The selected symbol will flash on the display area. Press the OK button to confirm.

4 FAN Button

- Cycles fan speeds in the following order:
 - AUTO → LOW → MED → HIGH

NOTE - Holding Fan button down for 2 seconds will activate **Silence** feature.

5 TURBO Button

- Enables the unit to reach the preset temperature during cooling or heating operation in the shortest time

6 MODE Button

- Select system operation modes
- Press button to cycle through each setting:
 - AUTO → COOL → DRY → HEAT → FAN

7 SLEEP Button

Sleep

- Enables the system to automatically increase cooling or decrease heating (in 2°F increments) per hour for the first 2 hours, then maintain a steady temperature for 5 hours
- System keeps the final operation mode after 8 total hours of operation

8 OK Button

- Confirms selected function

9 TIMER Button

- Initiates an auto-on or auto-off time sequence
- Press TIMER button to initiate the ON time sequence
- Press Temp. up or down button for multiple times to set the desired time to turn on the unit
- Press TIMER button to initiate the OFF time sequence.

NOTE - Each press of the button increases or decreases the time (depending on function) in 30 minute increments up to 10 hours.

Above 10 hours each press of the button will increase or decrease the auto-timed setting by 60 minutes up to 24 hours.

To cancel, set timer to 0.0 or turn remote off and on.

10 SWING Button

- Used to stop or start louver auto swing feature

11 SHORTCUT Button

- Restore the current settings or resume the previous settings

12 CLEAN Button

- Start/stop the Self-Clean function
- Unit cleans itself automatically

NOTE - Only available in COOL or DRY modes.

NOTE - Not for MCFA036-048 and MMDB036-048 models.

13 LED Button

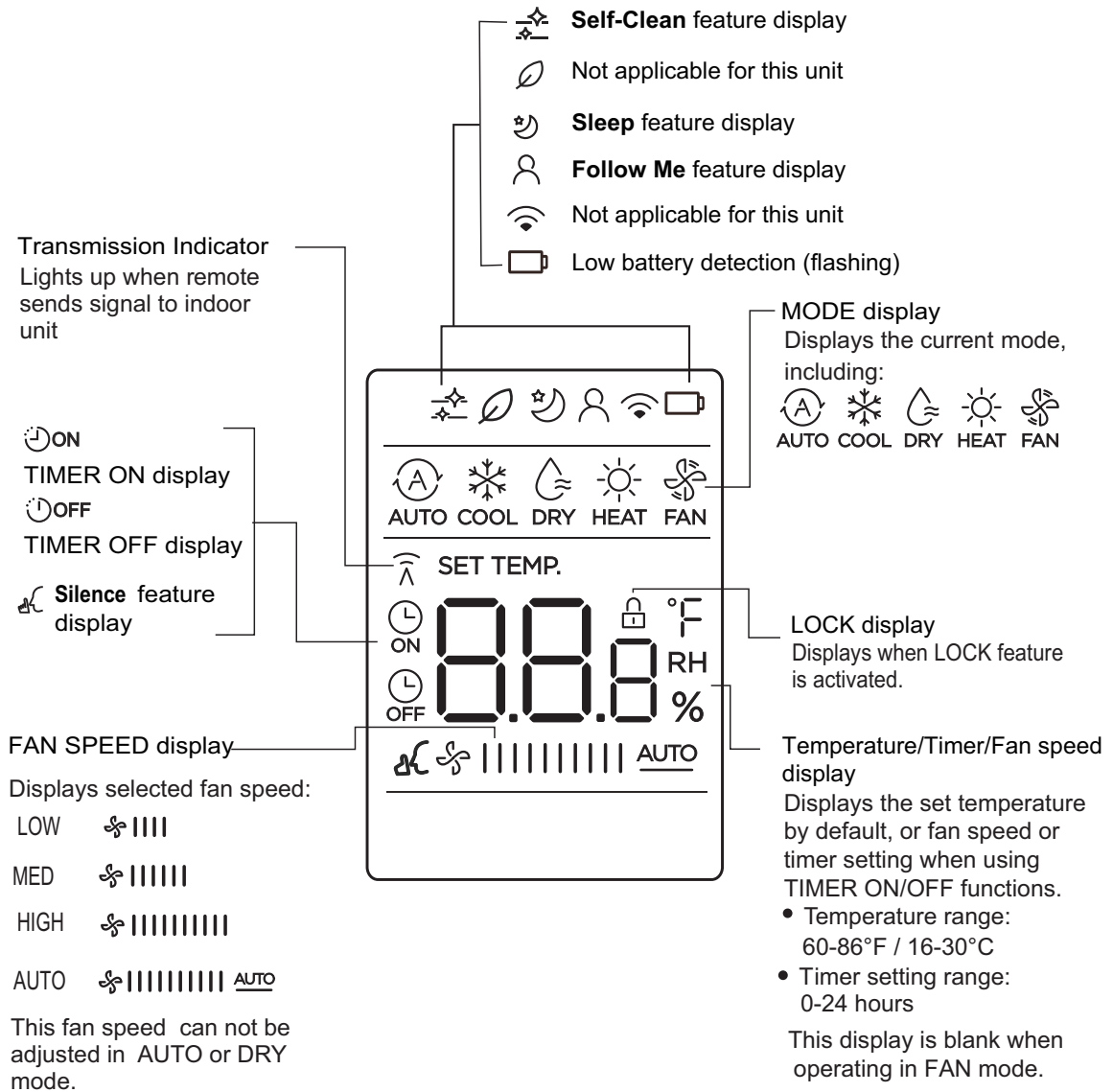
- Turns the LCD display backlight on the indoor unit on or off

NOTE - Press and hold the button for 5 seconds to display the actual room temperature. Press more than 5 seconds to revert back to display set temperature.

REMOTE CONTROLLERS - FURNISHED

WIRELESS REMOTE CONTROLLER INDICATORS (RG10B-DCFC)

Information is displayed when the Wireless Remote Controller is powered on.



Note:
 All icons are shown for display purposes only.
 During actual unit operation, only active icons are displayed.

REMOTE CONTROLLERS - FURNISHED

WIRELESS REMOTE CONTROLLER OPERATION (RG10B-DCFC)

Auto Operation

1. Press the **MODE** button to select Auto.
2. Press the **UP/DOWN** button to set the desired temperature.
3. Press the **ON/OFF** button to start the system.

Cooling /Heating/Fan Operation

1. Press the **MODE** button to select **COOL, HEAT** or **FAN** mode.
2. Press the **UP/DOWN** buttons to set the desired temperature.
3. Press the **FAN** button to select the fan speed in four steps- Auto, Low, Med or High.
4. Press the **ON/OFF** button to start the system.

Dehumidifying (DRY) Operation

1. Press the **MODE** button to select **DRY** mode.
2. Press the **UP/DOWN** buttons to set the desired temperature.
3. Press the **ON/OFF** button to start the system.

NOTE - Fan speed selection is disabled.

Timer ON/OFF Operation

1. Press the **TIMER** button. The remote controller shows **TIMER ON** or **TIMER OFF** icon
2. Press the **TIMER** button again to set desired time. Each time the button is pressed the time increases by 30 minutes between 0 and 10 hours and then by 60 minutes between 10 and 24 hours.
3. After setting the **TIMER ON** or **TIMER OFF** there will be a one second delay before the remote controller transmits the signal to the unit. After approximately 2 seconds the set temperature will re-appear on the LCD display window.

Silence Operation

1. Press the **FAN** button for more than 2 seconds to activate or disable the Silence function

Lock Function

1. Press the **TURBO** and **HUMIDITY** buttons together two times in less than one second to lock the Controller to prevent tampering
2. Press the **TURBO** and **HUMIDITY** together buttons again for two seconds to unlock the Controller

Swing Function

1. Press the **Swing** button to activate parallel louver operation. Louvers oscillate up and down automatically. Press and hold the Swing button again to disable.

NOTE - Pressing the Swing button multiple times will set the louvers at five different fixed airflow angles.

2. Press **Swing** button for 2 seconds to activate upright louver operation. Louvers swing left and right automatically.

SET BUTTON FUNCTIONS

Follow Me

- Allows remote temperature sensing of the room at the remote controller location

REMOTE CONTROLLERS - FURNISHED

WIRED REMOTE CONTROLLER

(FURNISHED WITH DUCTED INDOOR UNITS)

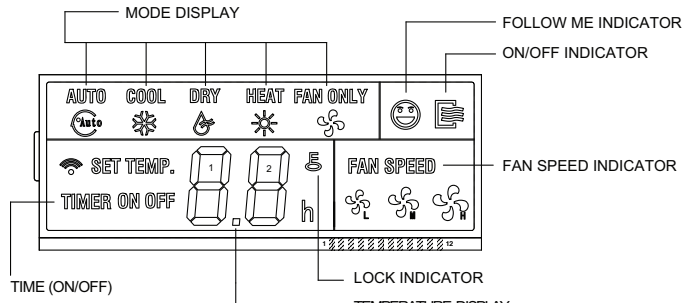
NOTE - Can be ordered separately for non-ducted indoor units.

FEATURES

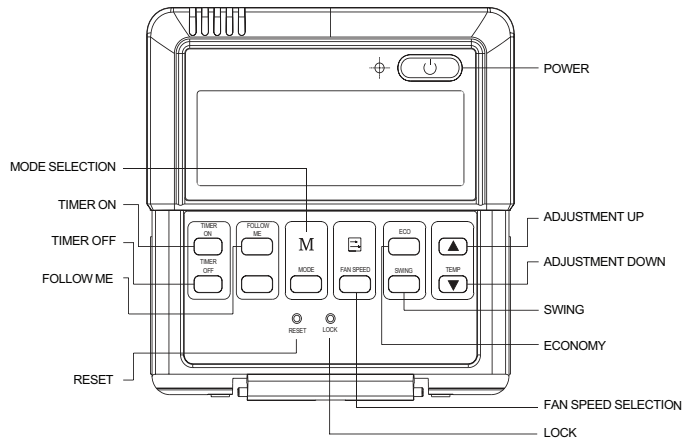
- Permanent Memory - Maintains clock, fan speed and mode of operation settings following power outages
- Dimensions (H x W x D) - 4-3/4 x 4-3/4 x 7/8 in.
- Additional hardware is furnished for installation
- Wiring - Controller uses 5-wire shielded 20 ft. (6 m) cable (furnished) for easy low voltage connection to the indoor unit
- Maximum cable length is 40 ft. (12 m)



DISPLAY

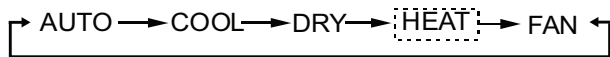


BUTTONS AND FUNCTIONS



MODE Button

- Select system operation modes. Push button to cycle through each setting

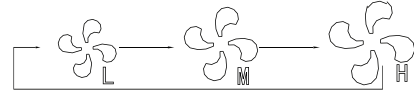


POWER Button

- Turns system on and off

FAN SPEED Button

- Selects fan speed. Each button press cycles through the following settings on display



NOTE - Not available in AUTO mode.

TIMER ON / TIMER OFF Buttons

- TIMER ON (initiates an auto-on time sequence)
- TIMER OFF (initiates an auto-off time sequence) can be used separately or together
- Each press of the button increases the time in 30 minute increments up to 10 hours
- Above 10 hours each press of the button will increase the auto-timed setting by 60 minutes up to 24 hours

NOTE - To cancel, set timer to 0.0.

UP/DOWN Buttons ▲ ▼

- Increase or decrease the indoor temperature in two degree increments (maximum 88°F, minimum 62°F).

NOTE - Temperature cannot be adjusted in FAN mode.

NOTE - Press and hold and buttons together for 3 seconds to alternate the temperature display between the °C and °F scale.

SWING Button

- Used to stop or start horizontal louver auto swing feature

ECONOMY Button

- Maintains the most comfortable temperature and saves energy

RESET Button (Recessed)

- Resets Controller to factory settings. Recessed to prevent tampering

LOCK Button (Recessed)

- Locks Controller buttons to prevent tampering with settings

OPTIONAL ACCESSORIES

Extension Cable for Wired Remote Controller

- 20 ft. cable for easy low voltage connection to the indoor unit
- Extends cable to maximum 40 ft. length

OPTIONAL ACCESSORIES - ORDER SEPARATELY

WIRED PROGRAMMABLE CONTROLLER

M0STAT64Q-2



- Wired programmable local controller for mini-split indoor units with convenient timed schedules for daily operation
- Up to 8 events per day
- Schedule start time, mode, setpoint, and fan speed
- Compatible with all indoor units
- Copy/paste function for easy duplication of events to other days
- Built-in system diagnostics
- Large, back-lit, easy-to-read LCD screen with digital display

BUTTONS AND FUNCTIONS

POWER Button

- Turn system on and off

FAN SPEED Button

- Scroll through fan speeds (Auto - Low - Med - High)

MODE Button

- Use + and – buttons to scroll through available operation modes (Auto / Cool / Dry / Fan / Heat)

PLUS (+) and MINUS (–) Buttons

- Setpoint adjustment (62-86°F)
- Select days of the week when setting a schedule
- Select mode of operation

SWING Button

- Stop or start horizontal (up/down) louver auto swing
- Controls swing oscillation and louver angle in 6° increments

TIMER Button

- Sets current time of day (24 hour clock)
- Setup weekly schedules or to setup timed operation for the indoor unit
- Stop/Stop timed operation

DAY OFF / DEL Button

- Disable specific days/schedules of the week
- Delete a specific event

CONFIRM Button

- Confirms each step when managing schedules

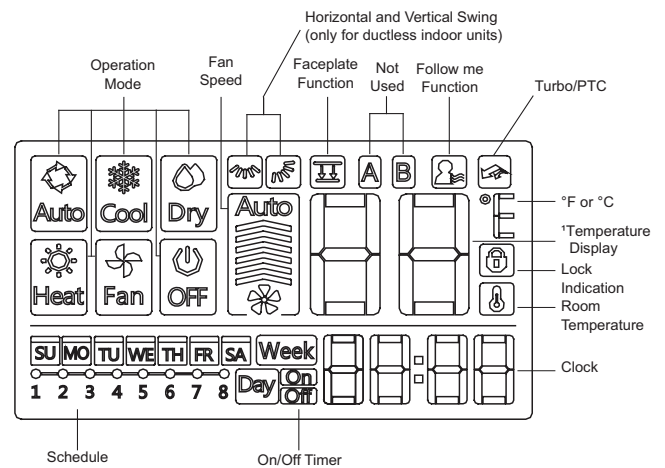
BACK/TURBO Button

- Turbo sets indoor unit fan speed to high for a factory-set time period

COPY/FOLLOW ME Button

- Toggles between room temperature sensing from the indoor unit or the controller

DISPLAY



- Audible tone when a button is pressed (can be disabled)
- Lock function disables buttons to prevent tampering
- Controller uses 4-wire shielded 20 ft. (6 m) cable (furnished) for easy low voltage connection to the indoor unit
- Adaptor cables are furnished for various indoor unit connections

NOTE - Cable for longer lengths must be ordered separately.

NOTE - Maximum cable length is 164 ft. (50 m).

- Hardware for mounting furnished
- Mounts to standard electrical junction box (not furnished)
- Lithium battery type required: CR2032
- Power Supply: 5 VDC
- Dimensions (H x W x D): 4-7/8 x 4-3/4 x 3/4 in. (124 x 121 x 19 mm)

OPTIONAL ACCESSORIES

Extension Cable for Wired Programmable Controller

- 20 ft. cable for easy low voltage connection to the indoor unit
- Extends cable to 40 ft. (12 m) length

OPTIONAL ACCESSORIES - ORDER SEPARATELY

OUTDOOR UNITS

Condenser Pad

- Provides permanent foundation for outdoor units
- One-piece lightweight structural foam and molded from high-density polyethylene (HDPE)
- Lightweight, easy to carry and install
- Textured finish provides a non-skid surface so outdoor unit sits securely in one place
- UV stable

Disconnects

- Positive unit disconnect
- Single door enclosure
- Fused and non-fused models available

Fuses

- 30 and 60 amp fuses available

Hail Guards

- Protects outdoor coils on all sides without inhibiting airflow or performance
- Self-tapping screws provided for installation
- Flat shape allows for outdoor units to be placed close together
- Each kit contains all required guards
- Order one hail guard kit per outdoor unit

Indoor/Outdoor Wiring Cable

- 14-gauge, 4-conductor wire
- THHN (Thermoplastic High Heat-resistant Nylon-coated) wire
- Suitable for wet or dry locations
- Rated up to 600V

Refrigerant Line Sets

- Refrigerant lines are shipped refrigeration clean
- Lines are cleaned, dried, pressurized and sealed at factory

Wall Brackets

- Heavy duty 1/8 in. thick steel brackets for supporting outdoor units
- Mount at any height to allow for easy maintenance under units
- Pre-punched holes for easy installation
- Powder coated gray finish
- Load rating 600 lbs. per pair

Whips

- Heavy duty electrical whips are available in 8 and 10 gauge sizes
- 6 ft. lengths
- Weatherproof metal conduit

INDOOR UNITS

Condensate Pumps

- Quietly and efficiently removes condensate
- See Optional Accessories Table for available pumps

A/C Easy Tee® Condensate Cleanout

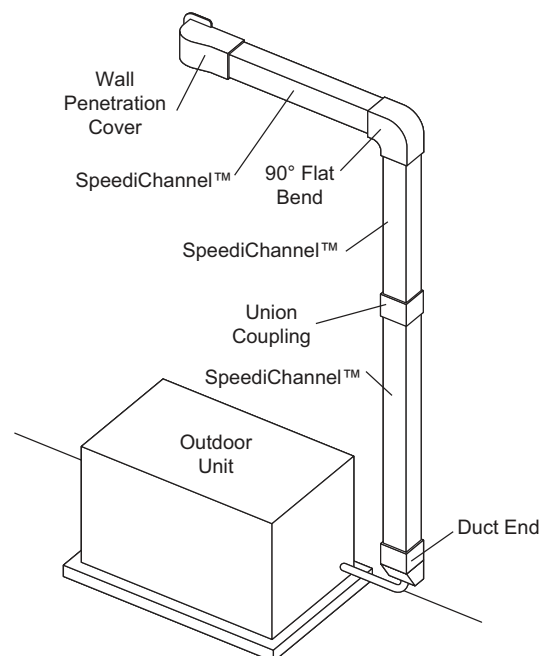
- Condensate drain service port
- Flexible and easy to use with nitrogen, water or shop vac
- Screw cap on top allows easy access to condensate drain line

SPEEDICHANNEL™ SYSTEM



- SpeediChannel™ is a channel system covers system line sets
- Two-part system has a base and a cover
- Base is fastened to a wall or ceiling with plastic clips (SpeediClip™) that snap into a channel already molded into the base
- Cover fits on top of the base
- Manufactured from rigid PVC, which is UL rated and resistant to UV light
- System is a natural color that closely matches typical mini-split outdoor units
- Can be painted as desired to match any wall color

Typical Application



OPTIONAL ACCESSORIES - ORDER SEPARATELY

SPEEDICHANNEL™ SYSTEM (continued)

SpeediChannel™ Starter Kit

- The starter kit includes (1) Coupling, (1) Wall Penetration, (1) Inside Elbow, (1) Long Radius Flat Bend, (10) Speediclips™, (10) 11 in. Cable Ties, and (1) SpeediChannel Instruction Booklet

Duct End

- Duct Ends are used to terminate a run of SpeediChannel™ to a small opening just large enough for the line set and condensate drain line to pass through



Flat Wall Escutcheon

- Flat Wall Escutcheons are used to cover a rough opening in a soffit, wall, or ceiling penetration



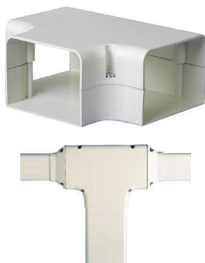
- One side of the escutcheon is flat to allow for a SpeediChannel™ to run along a wall and to penetrate through an adjacent wall or ceiling
- This is the most common type of wall penetration
- Furnished in two parts, the escutcheon easily snaps onto the SpeediChannel™

Flex Joint

- A Flex Joint is an accordion-style piece of SpeediChannel™
- The flex joint can be extremely flexible when routing a SpeediChannel™ system around an obstacle
- Each joint is 20 in. long and can be combined together for longer flex runs
- The flex joint does not require the use of a union coupling
- The flex joint slides tightly inside the SpeediChannel™ system

T-Joint

- T-Joints are used for creating a tee connection between three pieces of SpeediChannel™
- Each tee is individually packed and furnished with stainless steel screws



Union Coupling

- Union Couplings are used for joining two pieces of SpeediChannel™
- Each coupling is individually packed and furnished with stainless steel screws



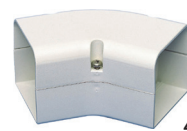
Wall Penetration Cover

- Wall penetration covers are used to transition from the SpeediChannel™ system to a through wall penetration
- Wall covers are designed to allow for easy installation, even after the line set has been installed
- A hooking and fastening arrangement allows for quick installation
- Each wall cover is individually packed, and furnished with stainless steel screws to attach the wall cover to the base
- Three screws are necessary to fasten the wall cover to the wall construction, regardless of the type of installed system



45° and 90° Flat Bend Elbows

- 45° Flat Bends are used to route the SpeediChannel™ around obstacles
- Each bend is individually packed and furnished with stainless steel screws



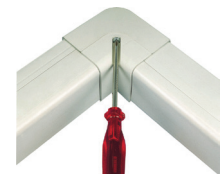
45°



90°

90° Inside Elbow

- 90° Inside Elbows are used to route the SpeediChannel™ around an inside corner
- Each elbow is individually packed and furnished with stainless steel screws



Mount Block White Qty. (2) 14 in. and (2) 36 in.

- Mount Blocks are used as mounting bases when outdoor units must be bolted down
- End caps (for aesthetics) come furnished with mounting bolts
- Maximum load capacity is 900 pounds per mounting block
- Installation temperatures range from -4°F to 140°F
- Mount blocks fit all mini-split outdoor units with a sliding rail feature



SPECIFICATIONS
MLB OUTDOOR UNITS

Nominal Size - Tons		0.75	1	1.5	2
Outdoor Unit Model No.		MLB009S4S	MLB012S4S	MLB018S4S	MLB024S4S
Ambient Temperature Operating Range - °F	Cooling	-22 - 122	-22 - 122	-22 - 122	-22 - 122
	Heating	-22 - 86	-22 - 86	-22 - 86	-22 - 86
Sound Data (dBA)	Cooling	54.5	56	59	62
	Heating	54.5	56	59	62
Refrigerant	Charge furnished (R-410A)	2 lbs. 9 oz.	2 lbs. 9 oz.	4 lbs. 1 oz.	5 lbs. 12 oz.
	Maximum line length with furnished charge - ft.	25	25	25	25
	Additional charge required per ft. - oz.	0.16	0.16	0.16	0.32
Compressor	No. and Type	(1) Rotary	(1) Rotary	(1) Rotary	(1) Rotary
	Refrigerant oil type	VG74	VG74	VG74	VG74
	Refrigerant oil charge - oz.	11.8	11.8	21	21
Connections - in.	Liquid/Gas pipe (flare)	1/4 / 3/8	1/4 / 1/2	1/4 / 1/2	3/8 / 5/8
	Maximum refrigerant pipe length - ft.	98	98	98	164
	Max. difference in level of indoor unit - ft.	66	66	66	82
Outdoor Fan	(No.) Diameter - in.	(1) 17	(1) 17	(1) 19	(1) 22
	Total air volume - cfm	1120	1180	1355	2355
	rpm	850/680/450	850/680/450	810/720/1150	1150/1050/900/850
Outdoor Coil	Number of rows	2	2	2	2
	Fins per inch	18	18	18	19
	Fin type	Hydrophilic aluminum			
	Tube outside diameter - in.	3/8	3/8	3/8	3/8
	Tube type	Rifled copper tubing			
	Net face area - ft. ²	4.73	4.73	5.19	8.16
Design Pressure	PSIG	550/340	550/340	550/340	550/340
Shipping Data	Net/Shipping weight (lbs.)	74 / 80	74 / 80	101 / 108	135 / 145
ELECTRICAL DATA					
Electrical Characteristics - 60 Hz - 1 Phase		208/230V	208/230V	208/230V	208/230V
¹ Maximum Overcurrent Protection (MOCP) amps		15	15	25	35
² Minimum circuit ampacity (MCA)		15	15	16	25
Outdoor Fan Motor	Rated load amps	0.4	0.4	0.76	0.5
	Output - W	34	34	80	120

NOTE - Extremes of operating range are plus and minus 10% of line voltage.


¹ HACR type circuit breaker or fuse.

² Refer to National or Canadian Electrical Code manual to determine wire, fuse and disconnect size requirements.

SPECIFICATIONS	MLB OUTDOOR UNITS	
Nominal Size - Tons	3	4
Outdoor Unit Model No.	MLB036S4S	MLB048S4S
Ambient Temperature Operating Range - °F	Cooling -22 - 122	Cooling -22 - 122
	Heating -22 - 86	Heating -22 - 86
Sound Data (dBA)	Cooling 63	Cooling 65
	Heating 63	Heating 65
Refrigerant	Charge furnished (R-410A) 16 lbs. 0 oz.	
	Maximum line length with furnished charge - ft. 25	
	Additional charge required per ft. - oz. 0.32	
Compressor	No. and Type Twin-Rotary	
	Refrigerant oil type Ester Oil VG74	
	Refrigerant oil charge - oz. 49.4	
Connections - in.	Liquid/Gas pipe (flare) 3/8 / 5/8	
	Maximum refrigerant pipe length - ft. 213	
	Max. difference in level of indoor unit - ft. 98	
Outdoor Fan	(No.) Diameter - in. (2) 22	
	Total air volume - cfm 4470	
	rpm 900/850/800/750	
Outdoor Coil	Number of rows 2	
	Fins per inch 18	
	Fin type Hydrophilic aluminum	
	Tube outside diameter - in. 3/8	
	Tube type Rifled copper tubing	
	Net face area - ft. ² 6.43+6.97	
Design Pressure	PSIG 550/340	
Shipping Data	Net/Shipping weight (lbs.) 220 / 248	
ELECTRICAL DATA		
Electrical Characteristics - 60 Hz - 1 Phase	208/230V	
¹ Maximum Overcurrent Protection (MOCP) amps	50	
² Minimum circuit ampacity (MCA)	41	
Outdoor Fan Motor	Rated load amps (2) 0.39	
	Output - W (2) 85	

NOTE - Extremes of operating range are plus and minus 10% of line voltage.
¹ HACR type circuit breaker or fuse.
² Refer to National or Canadian Electrical Code manual to determine wire, fuse and disconnect size requirements.

SPECIFICATIONS
WALL-MOUNTED INDOOR UNITS

		Model No.	MWMC009S4	MWMC012S4
				
	Nominal Tons		0.75	1
Power Supply - 60 hz - 1 phase			208/230V	208/230V
	Rated load amps		0.25	0.25
	Output (W)		20	20
Room Temperature Range (°F)	Cooling		60 - 90	60 - 90
	Heating		32 - 86	32 - 86
Air Volume - cfm (High/Medium/Low)			335/230/176	335/230/176
Sound Data (dBA) - Low/Medium/High			23/34/38	22.5/33.5/36
Piping Connections - Liquid/Gas - o.d. - flare - in.			1/4 / 3/8	1/4 / 1/2
Drain connection o.d. - in.			1	1
Net/Shipping weights - lbs.			23 / 29	23 / 29

SPECIFICATIONS

		Model No.	MWMC018S4	MWMC024S4
	Nominal Tons		1.5	2
Power Supply - 60 hz - 1 phase			208/230V	208/230V
	Rated load amps		0.13	0.5
	Output (W)		30	58
Room Temperature Range (°F)	Cooling		60 - 90	60 - 90
	Heating		32 - 86	32 - 86
Air Volume - cfm (High/Medium/Low)			524/76/306	611/414/319
Sound Data (dBA) - Low/Medium/High			46.5/43/32.5	44/39.5/34
Piping Connections - Liquid/Gas - o.d. - flare - in.			1/4 / 1/2	3/8 / 5/8
Drain connection o.d. - in.			1	1
Net/Shipping weights - lbs.			27 / 36	44 / 55

SPECIFICATIONS
CASSETTE INDOOR UNITS


Model No.		M22A009S4	M22A012S4	M22A018S4
Nominal Tons		0.75	1	1.5
Power Supply - 60 hz - 1 phase		208/230V	208/230V	208/230V
Rated load amps		0.9	1.0	1.5
Output (W)		46	46	46
Room Temperature Range (°F)	Cooling	62 - 90	62 - 90	62 - 90
	Heating	32 - 86	32 - 86	32 - 86
Air Volume - cfm (High/Medium/Low)		375/300/255	380/310/260	560/485/415
Sound Data (dBA) - Low/Medium/High		33/37/41	36/39/43	36/39/44
Piping Connections - Liquid/Gas - o.d. - flare - in.		1/4 / 3/8	1/4 / 1/2	1/4 / 1/2
Drain connection o.d. - in.		1	1	1
Net/Shipping weights - lbs.	Body	32 / 38	36 / 41	36 / 42

REQUIRED COMPONENTS - ORDERED SEPARATELY

Cassette Panel		13X04	13X04	13X04
	Net/Shipping weights - lbs.	6 / 10	6 / 10	6 / 10

SPECIFICATIONS

Model No.		M33C024S4	M33C036S4	M33C048S4
Nominal Tons		2	3	4
Power Supply - 60 hz - 1 phase		208/230V	208/230V	208/230V
Rated load amps		1.0	1.0	1.5
Output (W)		45	125	125
Room Temperature Range (°F)	Cooling	60 - 90	60 - 90	60 - 90
	Heating	32 - 86	32 - 86	32 - 86
Air Volume - cfm (High/Medium/Low)		706 / 636 / 548	947 / 853 / 753	1171 / 1059 / 935
Sound Data (dBA) - Low/Medium/High		43 / 46 / 49	52.5 / 50 / 46.5	55 / 53 / 50
Piping Connections - Liquid/Gas - o.d. - flare - in.		3/8 / 5/8	3/8 / 5/8	3/8 / 5/8
Drain connection o.d. - in.		1	1	1
Net/Shipping weights - lbs.	Body	48 / 56	60 / 69	65 / 74

REQUIRED COMPONENTS - ORDERED SEPARATELY

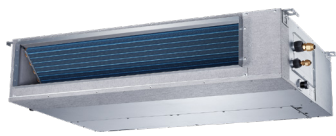
Cassette Panel		22V17	22V17	22V17
	Net/Shipping weights - lbs.	14 / 20	14 / 20	14 / 20

SPECIFICATIONS
CEILING/FLOOR MOUNT INDOOR UNITS


Model No.		MCFB018S4	MCFA024S4	MCFA036S4	MCFA048S4
Nominal Tons		1.5	2	3	4
Power Supply - 60 hz - 1 phase		208/230V	208/230V	208/230V	208/230V
Rated load amps		1.65	2.2	1.5	1.8
Output (W)		90	90	115	(2) 90
Room Temperature Range (°F)	Cooling	60 - 90	60 - 90	60 - 90	60 - 90
	Heating	32 - 86	32 - 86	32 - 86	32 - 86
Air Volume - cfm (High/Medium/Low)		580/520/465	760/710/600	1035/915/640	1350/1120/1000
Sound Data (dBA) - Low/Medium/High		39/43/46	42/47/51	41/48/52	45/50/55
Piping Connections - Liquid/Gas - o.d. - flare - in.		1/4 / 1/2	3/8 / 5/8	3/8 / 5/8	3/8 / 5/8
Drain connection o.d. - in.		1	1	1	1
Net/Shipping weights - lbs.		58 / 69	61 / 73	69 / 82	88 / 103

SPECIFICATIONS
FLOOR MOUNT CONSOLE INDOOR UNITS


Model No.		MFMA012S4
Nominal Tons		1
Power Supply - 60 hz - 1 phase		208/230V
Rated load amps		1.07
Output (W)		20
Room Temperature Range (°F)	Cooling	60 - 90
	Heating	32 - 86
Air Volume - cfm (High/Medium/Low)		365/318/248
Sound Data (dBA) - Low/Medium/High		33/39/43
Piping Connections - Liquid/Gas - o.d. - flare - in.		1/4 / 1/2
Drain connection o.d. - in.		5/8
Net/Shipping weights - lbs.		33 / 42

SPECIFICATIONS
MEDIUM STATIC DUCTED INDOOR UNITS


Model No.		MMDB009S4	MMDB012S4	MMDB018S4
Nominal Tons		0.75	1	1.5
Power Supply - 60 hz - 1 phase		208/230V	208/230V	208/230V
Rated load amps		1.27	1.37	1.3
Output (W)		55	55	160
Room Temperature Range (°F)	Cooling	60 - 90	60 - 90	60 - 90
	Heating	32 - 86	32 - 86	32 - 86
Air Volume - cfm (High/Medium/Low)		353 / 282 / 176	353 / 282 / 176	529 / 450 / 371
External Static Pressure (in. w.g)		0 - 0.16	0 - 0.16	0 - 0.40
Sound Data (dBA) - Low/Medium/High		27 / 28.5 / 33.5	31 / 34.5 / 38	35 / 37.5 / 40
Piping Connections - Liquid/Gas - o.d. - flare - in.		1/4 / 3/8	1/4 / 1/2	1/4 / 1/2
Drain connection o.d. - in.		1	1	1
Net/Shipping weights - lbs.		38 / 49	38 / 49	54 / 66

SPECIFICATIONS

Model No.		MMDB024S4	MMDB036S4	MMDB048S4
Nominal Tons		2	3	4
Power Supply - 60 hz - 1 phase		208/230V	208/230V	208/230V
Rated load amps		1.7	2.45	2.50
Output (W)		160	300	560
Room Temperature Range (°F)	Cooling	60 - 90	60 - 90	60 - 90
	Heating	32 - 86	32 - 86	32 - 86
Air Volume - cfm (High/Medium/Low)		775 / 693 / 435	1082 / 912 / 703	1228 / 1031 / 715
External Static Pressure (in. w.g)		0 - 0.64	0 - 0.64	0 - 0.64
Sound Data (dBA) - Low/Medium/High		37 / 41 / 44	40.5 / 43.5 / 48	49 / 50 / 52
Piping Connections - Liquid/Gas - o.d. - flare - in.		3/8 / 5/8	3/8 / 5/8	3/8 / 5/8
Drain connection o.d. - in.		1	1	1
Net/Shipping weights - lbs.		87 / 103	106 / 122	120 / 142

OPTIONAL ACCESSORIES - ORDER SEPARATELY

Description	Catalog No.	Size					
		009	012	018	024	036	048
OUTDOOR UNIT							
Condenser Pad (18 x 38 x 3)	Y5014	•	•	•	•	•	•
Disconnects	30 amp, fused, 1 ph	27P37	•	•	•	•	•
	60 amp, non-fused, 1 ph	27P39	•	•	•	•	•
Fuses	30A	83P75	•	•	•	•	•
	60A	83P77	•	•	•	•	•
Hail Guards (H x W)	(1) 18-7/8 x 29-1/2 in + (1) 18 x 10-1/4 in.	24M81	•	•			
	(1) 22-7/8 x 32 in. + (1) 22-1/4 x 11 in.	24M85			•		
	(1) 28-5/8 x 33-1/2 in. + (1) 28-5/8 x 12-7/8 in.	24M84				•	
	(1) 48-5/8 x 29-1/8 + (1) 48-5/8 x 11-1/2 in.	24M83					•
Line Sets	1/4 in. x 3/8 in. x 25 ft.	90X53	•	N/A			
	1/4 in. x 3/8 in. x 50 ft.	X0258	•	N/A			
	1/4 in. x 1/2 in. x 25 ft.	90X52	N/A	•	•	N/A	
	1/4 in. x 1/2 in. x 50 ft.	X0259	N/A	•	•	N/A	
	3/8 in. x 5/8 in. x 25 ft.	X8406	N/A		•	•	•
	3/8 in. x 5/8 in. x 50 ft.	X8407	N/A		•	•	•
Wall Brackets	30 inch	X1727	•	•	•	•	N/A
	36 inch	X1728	N/A			•	•
Whips	10 Gauge - 1/2 in. x 6 ft.	29P54	•	•	•	•	•
	8 Gauge - 3/4 in. x 6 ft.	27P44	•	•	•	•	•
INDOOR UNIT							
¹ Diversitech Condensate Pumps with Reservoir	ClearVue Mini™ - 7.9 US gallons per hour, 35 ft. lift - 120-240V	Y5170	•	•	•	•	•
	Mini-Split Pump - 4 US gallons per hour, 20 ft. lift - 115V	Y7946	•	•	N/A		
	Mini-Split Pump - 4 US gallons per hour, 20 ft. lift - 230V	Y7949	•	•	•	•	•
¹ Blue Diamond® Condensate Pumps with Reservoir	MicroBlue® - 1.3 US gallons per hour, 6 ft. lift - 110-230V	14T74	•	•	•	N/A	
	MaxiBlue® - 3.7 US gallons per hour, 16.5 ft. lift - 208/230V	14T69	N/A		•	•	N/A
	MegaBlue® - 13.2 US gallons per hour, 23 ft. lift - 208/230V	14T71	N/A				•
	MultiTank Kit	14T75	N/A		•	•	•
	Sensor Cable Extension - 16 ft.	14T76	•	•	•	•	•
A/C Easy Tee® Condensate Cleanout	Y7947	•	•	•	•	•	
CONTROLS							
Wired Remote Controller (Furnished With All Ducted Models)	M0STAT61Q-1	14A66	•	•	•	•	•
Extension Cable for Wired Remote Controller - 20 ft.		Y8008	•	•	•	•	•
NOTE - The Wired Remote Controller above is furnished as standard with the indoor ducted models. As an option, the Wired Remote Controller can be ordered for a wall-mount, cassette, floor console or ceiling/floor mount unit if desired.							
Wired Programmable Controller	M0STAT64Q-2	22U20	•	•	•	•	•
Extension Cable for Wired Programmable Controller - 20 ft.	M0CTRL64Q-1	Y8738	•	•	•	•	•
Indoor/Outdoor Wiring Cable - 14 Gauge, 4 conductor wire, THHN, 250 ft.		Y2067	•	•	•	•	•
SPEEDICHANNEL™ SYSTEM							
SpeediChannel™ Starter Kit - 4 in.		Y3387	•	•	•	•	•
SpeediChannel - 4 in. x 6-1/2 ft. (qty. 6)		Y3388	•	•	•	•	•
Union Coupling - 4 in.		Y3389	•	•	•	•	•
90° Flat Bend Elbow - 4 in.		Y3390	•	•	•	•	•
90° Inside Elbow - 4 in.		Y3391	•	•	•	•	•
45° Flat Bend Elbow - 4 in.		Y3392	•	•	•	•	•
Flex Joint - 4 in.		Y3393	•	•	•	•	•
T-Joint - 4 in.		Y3394	•	•	•	•	•
Duct End - 4 in.		Y3395	•	•	•	•	•
Flat Wall Escutcheon - 4 in.		Y3396	•	•	•	•	•
Wall Penetration Cover - 4 in.		Y3399	•	•	•	•	•
Mount Block (White) Qty, 2 - 14 in.		Y3397	•	•	•	•	•
Mount Block (White) Qty, 2 - 36 in.		Y3398	•	•	•	•	•

¹ Y7946, Y7949 and 14T74 condensate pumps can be installed inside the indoor units. All other pumps must be installed external to the indoor unit.

AHRI SYSTEM MATCHES

Outdoor Unit	Indoor Unit	2017						2023					1 AHRI Reference Number
		Cooling Capacity	SEER	EER	Heat Capacity		HSPF (IV)	Cooling Capacity	SEER2	EER2	High Heat	HSPF2 (IV)	
					High	Low							
MLB009S4S-1P	M22A009S4-1P	9000	20.5	13	10000	9000	10.8	9000	20.5	13	9800	10.2	207683531
MLB009S4S-1P	MMDB009S4-1P	9000	23	14	10000	10100	12	8800	20.2	13.2	10000	12	207683524
MLB009S4S-1P	MWMC009S4-1P	9000	28.1	16.2	11800	9500	12.5	9000	28.1	16.2	12000	11.5	207683520
MLB012S4S-1P	M22A012S4-1P	12000	21.5	12.7	12000	9900	10.6	12000	22.3	12.7	12000	10.2	207683532
MLB012S4S-1P	MFMA012S4-1P	12000	23	13	12000	9600	11.5	12000	23.6	13	12000	10	207683528
MLB012S4S-1P	MMDB012S4-1P	12000	21.5	13	12000	10600	11.5	11800	19.5	11.7	12500	10	207683525
MLB012S4S-1P	MWMC012S4-1P	12000	25.5	13.5	12000	10000	13	12000	25.5	13.5	12000	10.4	207683521
MLB018S4S-1P	M22A018S4-2P	16000	20	12.5	18000	15600	10.3	15700	20	12.5	17000	9.5	207683533
MLB018S4S-1P	MCFB018S4-1P	17000	20.2	12.5	18000	12000	10.5	17000	20.5	12.5	18000	9.8	207683529
MLB018S4S-1P	MMDB018S4-1P	16500	19.6	12.5	19000	15000	11	17000	18	11.7	19000	9.2	207683526
MLB018S4S-1P	MWMC018S4-1P	18000	21.5	12.5	18000	15000	13	18000	21.5	12.5	18000	11.2	207683522
MLB024S4S-1P	M33C024S4-1P	24000	20.2	11	25000	21000	11.6	24000	20.5	11	25000	11.5	207683534
MLB024S4S-1P	MCFA024S4-1P	24000	20.2	11.5	24600	19000	11.6	24000	20.5	11.7	25000	11	207683530
MLB024S4S-1P	MMDB024S4-1P	24000	20.6	12.5	24600	21000	12.6	24000	19.2	12	25000	10.5	207683527
MLB024S4S-1P	MWMC024S4-1P	24000	21.5	13	29000	21200	12	24000	21.5	13	29000	11.4	207683523
MLB036S4S-2P	M33C036S4-1P	36000	19	9.5	39000	33000	10.3	36000	19.4	9.5	40000	10.5	205782164
MLB036S4S-2P	MCFA036S4-1P	36000	17.5	8.6	39000	32000	10	36000	17.6	8.8	39000	10	205782162
MLB036S4S-2P	MMDB036S4-1P	36000	17.5	9	40000	34000	11.5	36000	16.5	9	42000	11	205782160
MLB048S4S-2P	M33C048S4-1P	48000	16.5	8.3	51000	35000	10.7	48000	16.8	8.3	53000	10.7	205782165
MLB048S4S-2P	MCFA048S4-1P	48000	17	8.2	50000	35000	10.8	48000	17	8.2	51000	9.8	205782163
MLB048S4S-2P	MMDB048S4-1P	48000	16	8.7	48000	39500	11.1	48000	14.3	8.1	52000	10.2	205782161

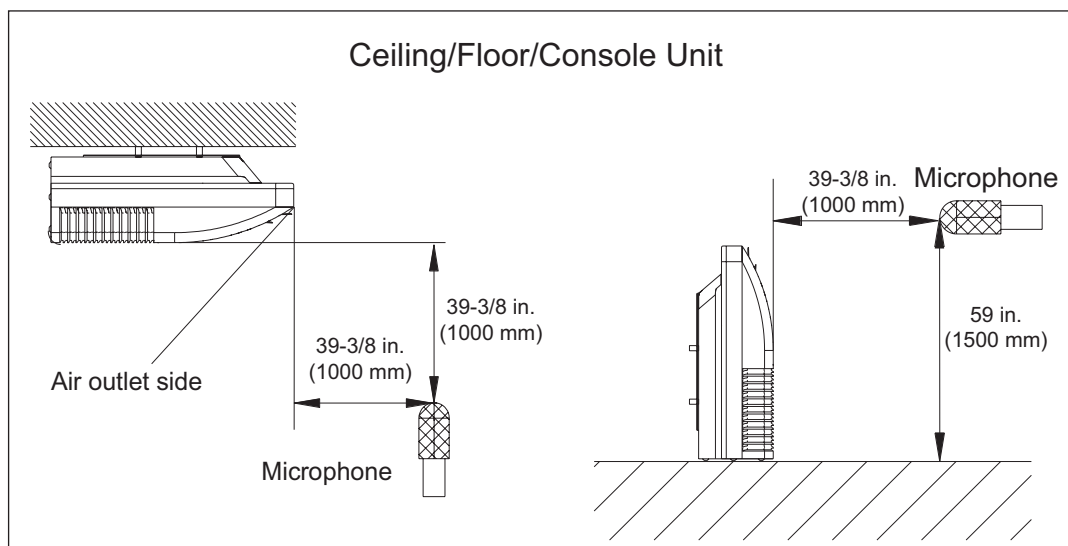
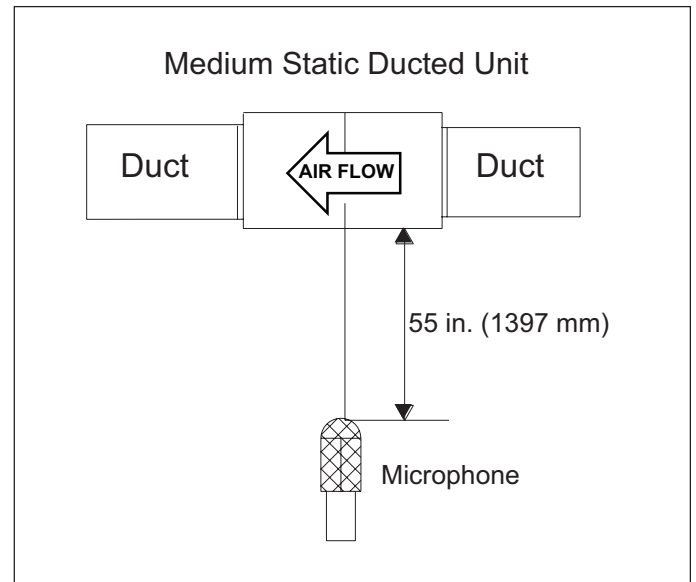
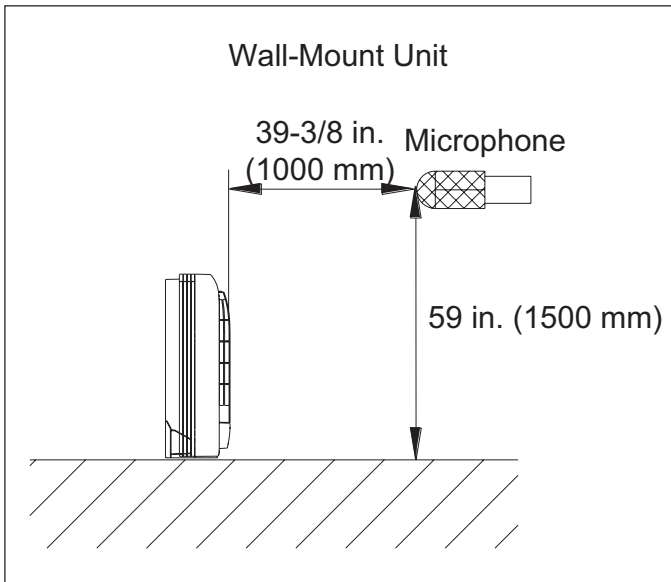
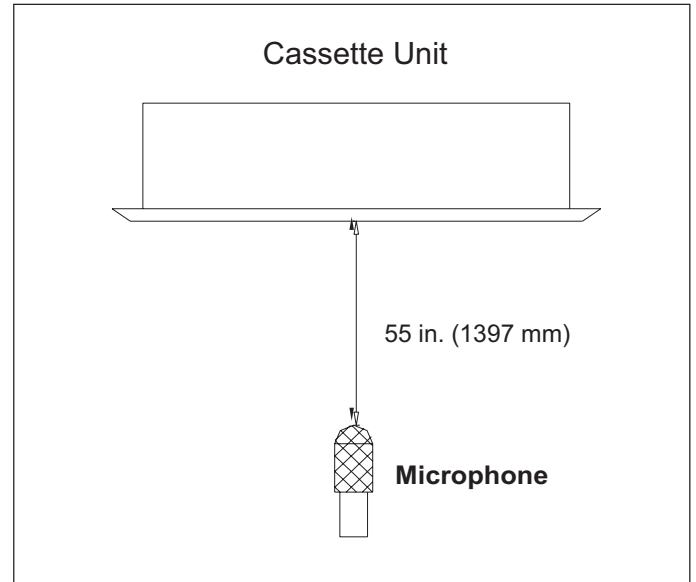
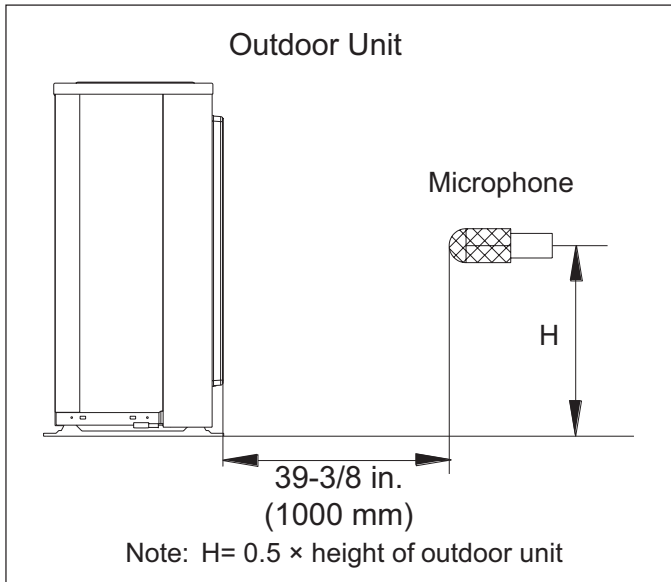
¹ **Bold Reference Numbers indicate Energy Star approval.**

Ratings are AHRI certified to AHRI Standard 210/240;

- Cooling Ratings - 95°F wet bulb/75°F dry bulb outdoor air temperature and 80°F dry bulb/67°F wet bulb entering indoor coil air.
- High Temperature Heating Ratings - 47°F dry bulb/43°F wet bulb outdoor air temperature and 70°F dry bulb/60°F wet bulb entering indoor coil air.
- Low Temperature Heating Ratings - 17°F dry bulb/15°F wet bulb outdoor air temperature and 70°F dry bulb/60°F wet bulb entering indoor coil air.

To convert HSPF from Region IV to Region V - Divide by 1.15.

SOUND LEVELS - TEST CONDITIONS



COOLING CAPACITY

009

Outdoor Temperature - °F (Dry Bulb)	Indoor Temperature - °F (Dry Bulb / Wet Bulb)							
	65°F / 54°F		70°F / 59°F		75°F / 63°F		80°F / 67°F	
	Total mBtuh	Sensible mBtuh	Total mBtuh	Sensible mBtuh	Total mBtuh	Sensible mBtuh	Total mBtuh	Sensible mBtuh
-22	8.93	5.70	9.36	5.93	9.86	6.21	10.43	6.54
-13	9.56	6.18	10.02	6.45	10.57	6.77	11.04	7.03
-4	9.75	6.53	10.35	6.89	11.01	7.29	11.56	7.62
0	10.10	6.88	10.52	7.12	11.14	7.50	11.81	7.90
5	10.38	6.99	10.87	7.28	11.44	7.62	12.06	7.98
17	10.33	7.44	10.99	7.88	11.58	8.26	12.23	8.68
25	10.67	7.59	11.13	7.88	11.83	8.32	12.40	8.68
35	10.80	8.05	11.36	8.41	11.83	8.72	12.55	9.20
47	10.97	8.21	11.51	8.57	12.16	9.01	12.73	9.38
55	11.03	8.41	11.71	8.87	12.26	9.24	12.80	9.59
65	10.87	8.18	11.47	8.59	12.17	9.07	12.87	9.54
75	10.97	8.47	11.64	8.94	12.31	9.40	12.94	9.82
85	11.27	9.14	11.76	9.49	12.43	9.99	13.16	10.51
95	11.51	9.38	12.04	9.75	12.69	10.21	13.29	10.65
105	11.03	9.19	11.71	9.69	12.20	10.03	12.85	10.53
115	9.53	9.38	10.04	9.82	10.58	10.26	11.14	10.63
122	8.46	8.79	8.90	9.29	9.40	9.65	9.84	10.05

HEATING CAPACITY

009

Outdoor Temperature - °F (Dry Bulb)	Indoor Temperature - °F (Dry Bulb)			
	60°F	65°F	70°F	75°F
	Total mBtuh	Total mBtuh	Total mBtuh	Total mBtuh
-22	5.79	5.65	5.49	5.28
-13	7.26	7.05	6.83	6.53
-4	8.98	8.71	8.49	8.10
0	10.21	9.90	9.59	9.16
5	11.25	10.94	10.62	10.18
17	13.60	13.24	12.83	12.33
20	14.19	13.71	13.29	12.80
25	14.64	14.19	13.74	13.13
32	15.03	14.61	14.22	13.70
35	15.54	15.12	14.72	14.12
40	15.71	15.27	14.88	14.29
47	15.90	15.45	15.03	14.43
50	16.46	15.90	15.44	14.81
57	16.76	16.32	15.78	15.21

COOLING CAPACITY

012

Outdoor Temperature - °F (Dry Bulb)	Indoor Temperature - °F (Dry Bulb / Wet Bulb)							
	65°F / 54°F		70°F / 59°F		75°F / 63°F		80°F / 67°F	
	Total mBtuh	Sensible mBtuh	Total mBtuh	Sensible mBtuh	Total mBtuh	Sensible mBtuh	Total mBtuh	Sensible mBtuh
-22	9.32	5.97	9.78	6.22	10.40	6.58	10.84	6.82
-13	10.13	6.46	10.60	6.73	11.08	6.99	11.65	7.31
-4	10.38	6.99	10.93	7.32	11.43	7.61	12.14	8.05
0	10.48	6.90	11.15	7.29	11.78	7.65	12.31	7.96
5	10.57	7.39	11.23	7.82	11.91	8.24	12.51	8.60
17	10.95	7.75	11.45	8.06	12.09	8.47	12.77	8.89
25	11.26	8.31	11.79	8.66	12.37	9.03	13.02	9.45
35	11.46	8.03	11.88	8.43	12.56	8.87	13.25	9.30
47	11.75	8.72	12.42	9.16	12.96	9.50	13.63	9.93
55	11.84	8.88	12.56	9.36	13.16	9.76	13.71	10.12
65	11.90	9.33	12.45	9.70	13.13	10.18	13.79	10.63
75	11.77	9.32	12.44	9.79	13.14	10.29	13.87	10.79
85	11.94	9.52	12.52	9.92	13.26	10.44	14.05	11.00
95	12.27	10.20	12.90	10.66	13.52	11.12	14.15	11.57
105	11.48	9.65	12.03	10.06	12.71	10.56	13.50	11.15
115	9.92	9.22	10.35	9.56	10.93	10.04	11.62	10.62
122	8.75	8.69	9.13	9.03	9.71	9.56	10.26	10.07

HEATING CAPACITY

012

Outdoor Temperature - °F (Dry Bulb)	Indoor Temperature - °F (Dry Bulb)			
	60°F	65°F	70°F	75°F
	Total mBtuh	Total mBtuh	Total mBtuh	Total mBtuh
-22	7.85	7.60	7.34	7.01
-13	9.15	8.87	8.64	8.25
-4	10.22	9.92	9.59	9.22
0	11.45	11.09	10.75	10.31
5	12.74	12.37	12.04	11.55
17	13.95	13.49	13.11	12.61
20	14.54	14.09	13.61	13.05
25	15.04	14.54	14.11	13.60
32	15.39	15.01	14.60	14.06
35	16.03	15.54	15.12	14.58
40	16.32	15.78	15.38	14.69
47	16.61	16.14	15.61	15.04
50	17.09	16.54	15.98	15.36
57	17.39	16.90	16.39	15.75

COOLING CAPACITY

018

Outdoor Temperature - °F (Dry Bulb)	Indoor Temperature - °F (Dry Bulb / Wet Bulb)							
	65°F / 54°F		70°F / 59°F		75°F / 63°F		80°F / 67°F	
	Total mBtuh	Sensible mBtuh	Total mBtuh	Sensible mBtuh	Total mBtuh	Sensible mBtuh	Total mBtuh	Sensible mBtuh
-22	14.48	8.71	15.15	9.07	15.83	9.41	16.64	9.84
-13	15.31	9.77	16.17	10.25	17.15	10.81	17.90	11.22
-4	16.57	10.71	17.40	11.19	18.34	11.74	19.24	12.24
0	16.87	11.61	17.89	12.25	18.66	12.69	19.72	13.35
5	17.11	11.55	18.11	12.16	19.20	12.81	20.26	13.45
17	17.69	12.93	18.55	13.48	19.65	14.19	20.55	14.75
25	17.06	12.36	17.96	12.93	18.79	13.46	19.94	14.20
35	16.66	12.53	17.61	13.18	18.39	13.67	19.31	14.29
47	16.19	11.88	17.08	12.48	17.98	13.06	18.93	13.66
55	15.93	11.94	16.80	12.53	17.80	13.21	18.83	13.90
65	16.02	12.06	16.98	12.71	17.95	13.37	18.74	13.87
75	15.84	12.34	16.72	12.96	17.73	13.66	18.65	14.28
85	15.98	12.42	16.93	13.09	17.67	13.58	18.48	14.12
95	16.18	13.33	16.87	13.81	17.59	14.31	18.40	14.89
105	14.75	12.20	15.65	12.88	16.65	13.64	17.66	14.39
115	13.36	12.62	14.20	13.34	15.02	14.03	15.72	14.58
122	12.25	12.21	12.97	12.87	13.68	13.52	14.28	14.05

HEATING CAPACITY

018

Outdoor Temperature - °F (Dry Bulb)	Indoor Temperature - °F (Dry Bulb)			
	60°F	65°F	70°F	75°F
	Total mBtuh	Total mBtuh	Total mBtuh	Total mBtuh
-22	14.62	14.26	13.84	13.26
-13	16.27	15.78	15.38	14.80
-4	18.11	17.65	17.09	16.39
0	18.91	18.32	17.86	17.12
5	19.78	19.12	18.58	17.91
17	21.22	20.58	19.92	19.21
20	21.27	20.59	19.95	19.11
25	21.17	20.64	19.98	19.20
32	21.14	20.52	20.00	19.20
35	21.44	20.71	20.03	19.19
40	21.43	20.71	20.05	19.15
47	21.50	20.77	20.07	19.35
50	21.92	21.18	20.53	19.79
57	22.27	21.68	21.07	20.33

COOLING CAPACITY

024

Outdoor Temperature - °F (Dry Bulb)	Indoor Temperature - °F (Dry Bulb / Wet Bulb)							
	65°F / 54°F		70°F / 59°F		75°F / 63°F		80°F / 67°F	
	Total mBtuh	Sensible mBtuh	Total mBtuh	Sensible mBtuh	Total mBtuh	Sensible mBtuh	Total mBtuh	Sensible mBtuh
-22	18.58	11.53	19.35	11.93	20.45	12.55	21.62	13.19
-13	19.91	12.63	20.74	13.09	21.67	13.60	23.00	14.35
-4	20.91	14.25	21.78	14.74	22.78	15.33	24.21	16.20
0	21.24	14.24	22.24	14.82	23.29	15.45	24.70	16.28
5	21.55	14.93	22.91	15.78	23.99	16.44	25.22	17.20
17	22.45	16.26	23.66	17.04	24.82	17.78	26.35	18.79
25	23.45	17.36	24.55	18.06	26.09	19.07	27.24	19.80
35	24.17	18.17	25.61	19.16	26.79	19.93	28.02	20.73
47	25.83	18.65	27.30	19.59	28.89	20.64	30.28	21.53
55	25.70	19.20	27.23	20.25	28.54	21.11	30.20	22.20
65	25.96	20.29	27.50	21.39	28.89	22.34	30.12	23.16
75	25.64	19.86	26.80	20.63	28.36	21.72	30.04	22.86
85	24.52	19.72	25.67	20.54	26.91	21.39	28.54	22.54
95	23.12	18.64	24.15	19.36	25.70	20.47	26.94	21.33
105	22.53	19.38	23.57	20.18	24.81	21.12	25.87	21.89
115	20.46	19.49	21.69	20.55	22.79	21.49	23.74	22.24
122	19.35	19.26	20.52	20.35	21.53	21.27	22.50	22.12

HEATING CAPACITY

024

Outdoor Temperature - °F (Dry Bulb)	Indoor Temperature - °F (Dry Bulb)			
	60°F	65°F	70°F	75°F
	Total mBtuh	Total mBtuh	Total mBtuh	Total mBtuh
-22	17.37	16.89	16.42	15.81
-13	21.05	20.33	19.78	18.99
-4	23.99	23.20	22.48	21.69
0	25.23	24.59	23.80	22.97
5	26.97	26.26	25.42	24.53
17	27.27	26.48	25.68	24.55
20	27.38	26.64	25.86	24.70
25	27.47	26.77	26.04	24.95
32	27.74	27.01	26.22	25.12
35	28.01	27.11	26.38	25.32
40	28.90	28.12	27.35	26.28
47	29.91	29.09	28.33	27.22
50	30.19	29.45	28.73	27.44
57	30.98	30.02	29.18	28.07

COOLING CAPACITY

036

Outdoor Temperature - °F (Dry Bulb)	Indoor Temperature - °F (Dry Bulb / Wet Bulb)							
	65°F / 54°F		70°F / 59°F		75°F / 63°F		80°F / 67°F	
	Total mBtuh	Sensible mBtuh	Total mBtuh	Sensible mBtuh	Total mBtuh	Sensible mBtuh	Total mBtuh	Sensible mBtuh
-22	26.94	17.42	28.25	17.99	29.46	18.48	31.03	18.80
-13	29.76	20.20	30.87	20.64	32.02	21.09	33.73	21.46
-4	30.99	21.70	32.49	22.42	34.07	23.15	36.07	23.68
0	32.46	23.57	33.86	24.22	35.12	24.75	37.19	25.32
5	33.12	24.26	34.36	24.79	36.02	25.61	38.14	28.05
17	33.73	25.43	35.36	26.27	36.88	26.99	39.26	27.76
25	34.87	26.67	36.76	27.70	38.13	28.31	40.38	28.96
35	36.22	28.10	37.58	28.72	39.40	29.66	41.50	30.18
47	37.40	29.57	38.80	30.22	40.24	30.89	42.62	31.59
55	37.23	30.36	38.62	31.03	40.06	31.71	42.42	32.43
65	37.06	30.34	38.44	31.01	39.88	31.69	42.23	32.41
75	36.88	30.60	38.26	31.27	39.69	31.96	42.03	32.69
85	34.21	28.75	35.87	29.69	37.41	30.51	39.82	31.37
95	33.01	28.48	34.42	29.27	35.71	29.91	37.81	30.59
105	29.88	26.72	31.00	27.31	32.50	28.21	34.79	29.16
115	26.28	25.76	27.26	26.33	28.58	27.19	30.59	28.12
122	24.29	24.09	25.06	24.91	26.00	25.73	27.53	27.25

HEATING CAPACITY

036

Outdoor Temperature - °F (Dry Bulb)	Indoor Temperature - °F (Dry Bulb)			
	60°F	65°F	70°F	75°F
	Total mBtuh	Total mBtuh	Total mBtuh	Total mBtuh
-22	27.32	26.83	26.38	25.54
-13	33.47	32.75	32.18	31.18
-4	40.98	39.98	39.24	38.06
0	41.63	40.97	40.09	38.93
5	43.02	41.97	40.94	39.67
17	48.93	47.64	46.34	45.00
20	49.52	48.17	46.99	45.54
25	50.43	49.20	47.86	46.43
32	50.82	49.53	48.23	46.74
35	51.45	50.09	48.73	47.27
40	51.63	50.22	49.38	47.95
47	51.26	50.41	49.66	48.17
50	52.13	51.36	50.65	49.19
57	52.60	51.98	51.41	49.82

COOLING CAPACITY

048

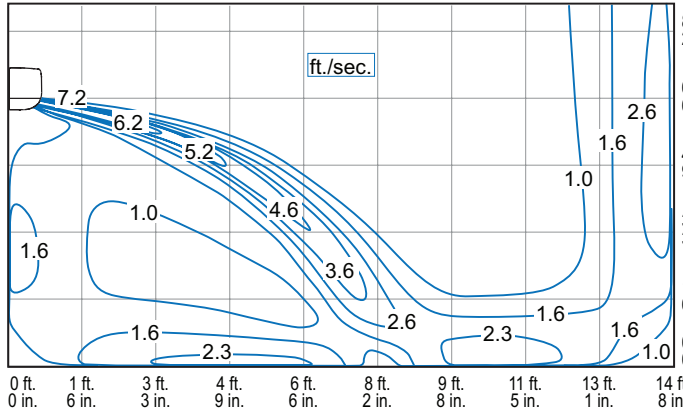
Outdoor Temperature - °F (Dry Bulb)	Indoor Temperature - °F (Dry Bulb / Wet Bulb)							
	65°F / 54°F		70°F / 59°F		75°F / 63°F		80°F / 67°F	
	Total mBtuh	Sensible mBtuh	Total mBtuh	Sensible mBtuh	Total mBtuh	Sensible mBtuh	Total mBtuh	Sensible mBtuh
-22	34.36	21.56	36.75	22.72	39.10	23.81	41.59	24.95
-13	37.95	25.00	40.16	26.06	42.49	27.17	45.21	28.48
-4	39.52	26.86	42.27	28.30	45.21	29.83	48.35	31.43
0	41.83	29.48	44.50	30.90	47.09	32.22	50.36	33.95
5	43.12	30.66	45.63	31.96	48.80	33.68	52.19	34.75
17	42.98	31.46	45.97	33.15	48.91	34.75	52.59	36.81
25	43.54	32.33	46.82	34.25	49.54	35.70	52.99	37.62
35	44.34	33.38	46.92	34.80	50.18	36.67	53.38	38.44
47	46.28	35.52	48.98	37.04	51.83	38.61	55.43	40.69
55	46.37	36.71	49.07	38.27	51.93	39.90	55.54	42.04
65	46.42	36.89	49.12	38.46	51.98	40.10	55.59	42.25
75	46.47	37.42	49.18	39.01	52.04	40.67	55.66	42.85
85	43.52	35.50	46.55	37.40	49.52	39.20	53.24	41.53
95	42.15	35.31	44.84	37.00	47.45	38.58	50.75	40.65
105	38.16	33.12	40.38	34.53	43.19	36.38	46.69	38.75
115	27.85	26.50	29.47	27.63	31.52	29.11	34.07	31.00
122	25.74	25.43	27.09	26.69	28.67	28.10	30.66	30.05

HEATING CAPACITY

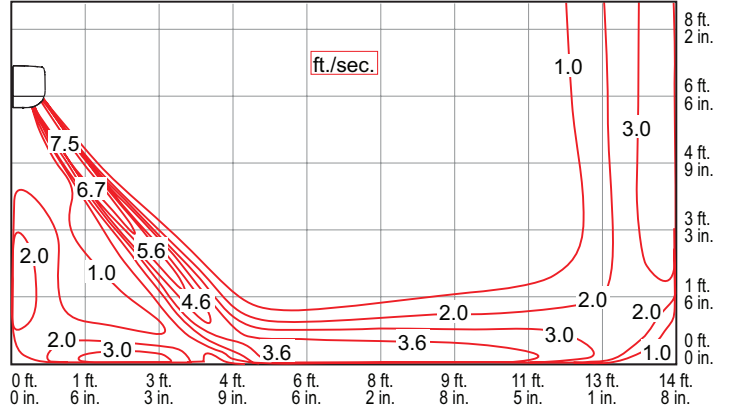
048

Outdoor Temperature - °F (Dry Bulb)	Indoor Temperature - °F (Dry Bulb)			
	60°F	65°F	70°F	75°F
	Total mBtuh	Total mBtuh	Total mBtuh	Total mBtuh
-22	32.12	31.64	31.17	29.93
-13	40.23	39.59	38.97	37.60
-4	49.76	48.93	48.11	46.67
0	51.01	49.91	48.70	46.75
5	52.03	50.86	49.28	47.56
17	57.66	56.26	54.99	52.52
20	58.81	57.49	56.25	53.72
25	60.69	59.38	57.93	55.61
32	61.37	59.99	58.64	56.59
35	62.26	60.92	59.61	56.63
40	63.95	62.39	60.87	57.52
47	63.77	62.77	61.42	58.35
50	64.41	63.52	62.64	60.14
57	65.51	64.54	63.58	61.36

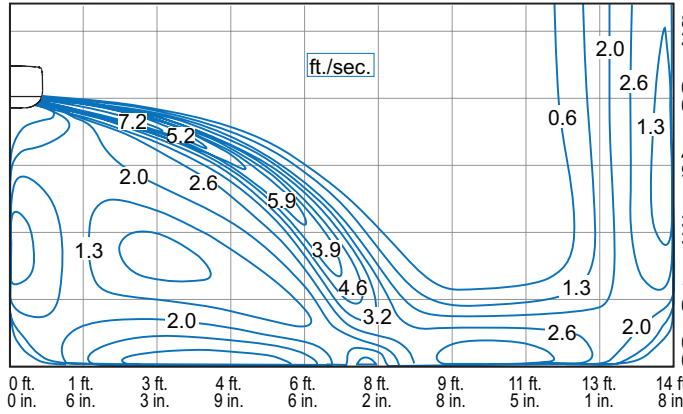
MWMC009S4-1P - COOLING



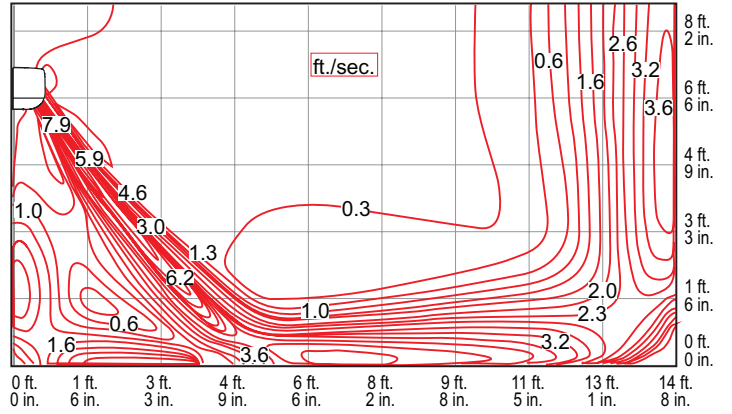
MWMC009S4-1P - HEATING



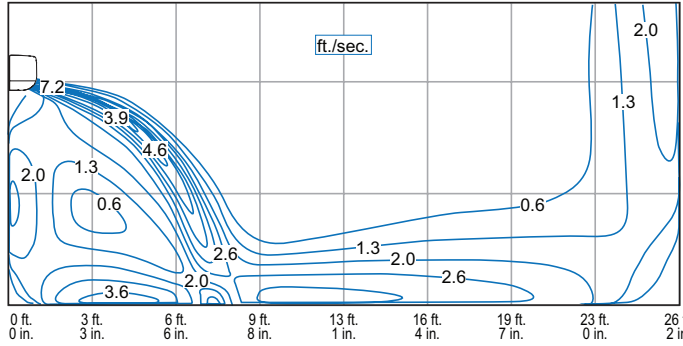
MWMC012S4-1L, MWMC012S4-1P - COOLING



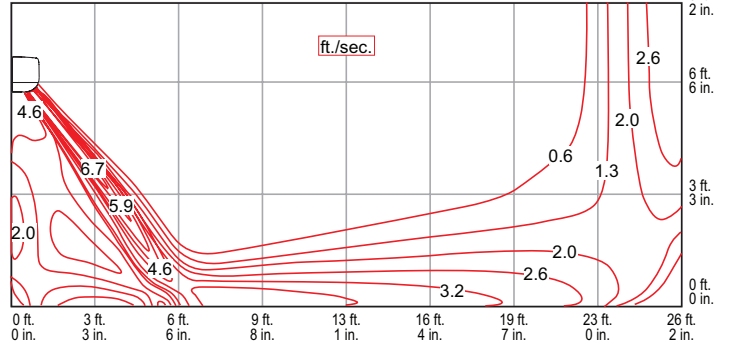
MWMC012S4-1L, MWMC012S4-1P - HEATING



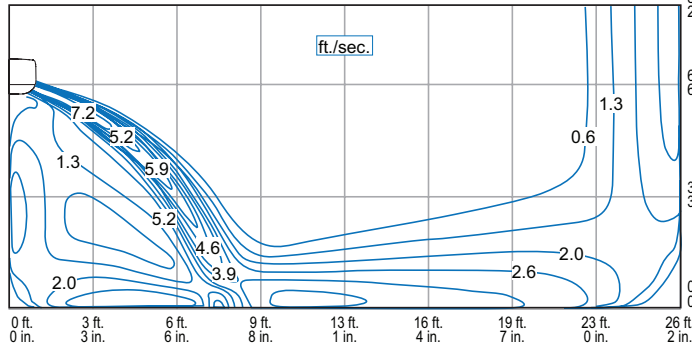
MWMC018S4-1P - COOLING



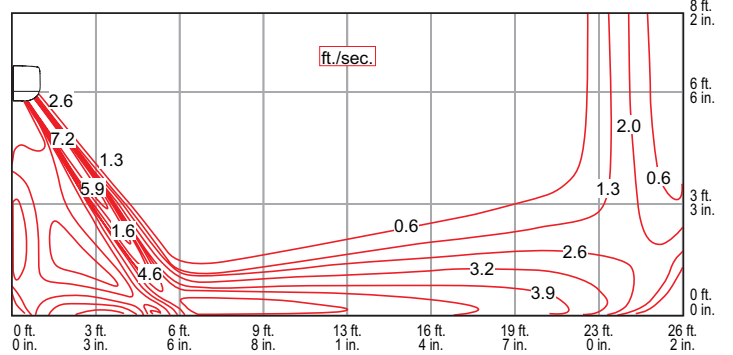
MWMC018S4-1P - HEATING



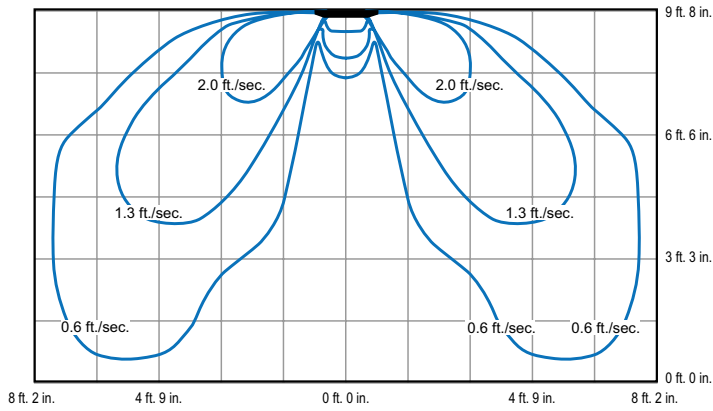
MWMC024S4-1P - COOLING



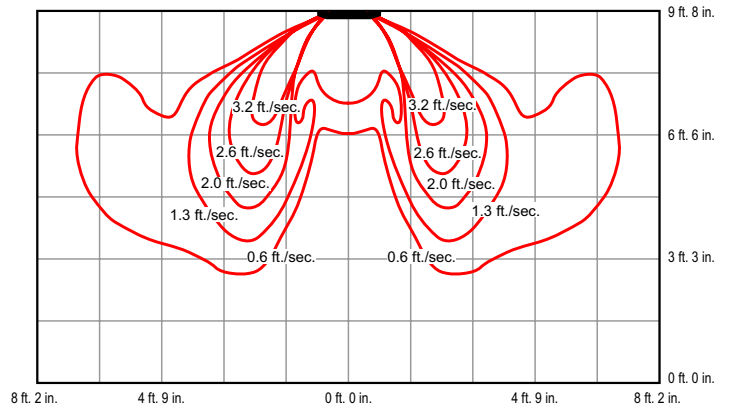
MWMC024S4-1P - HEATING



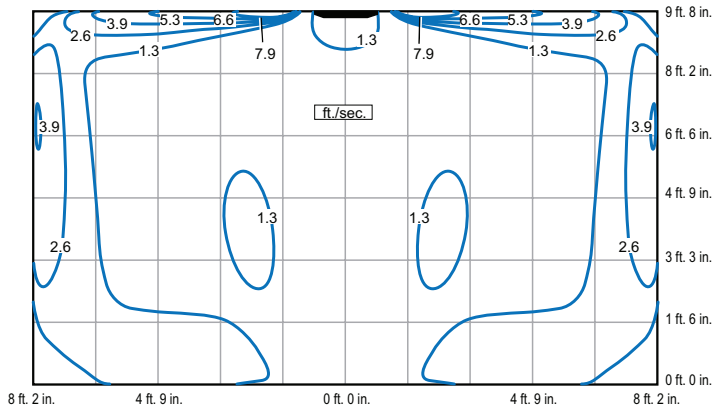
M22A009S4 AND M22A012S4 - COOLING



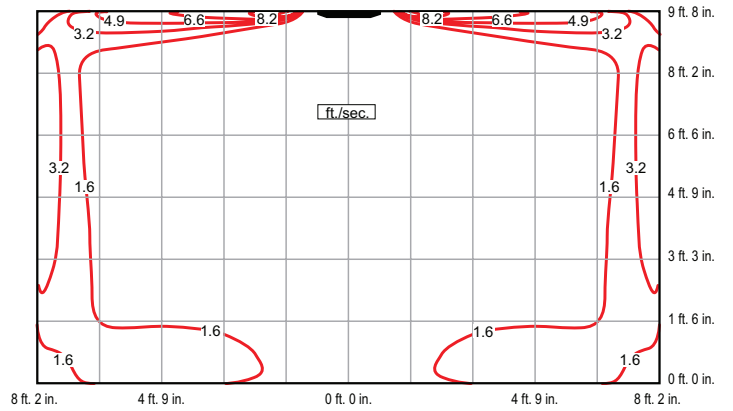
M22A009S4 AND M22A012S4 - HEATING



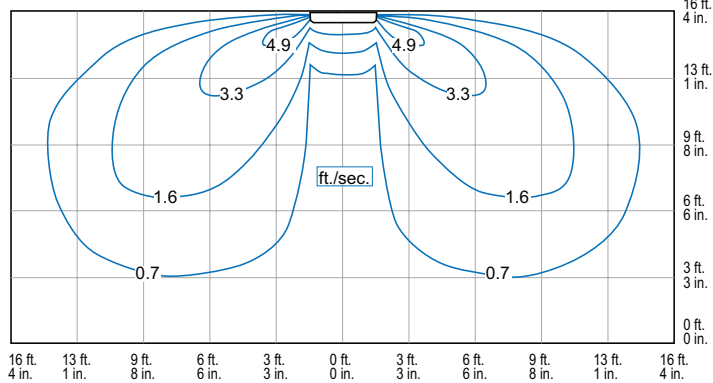
M22A018S4 - COOLING



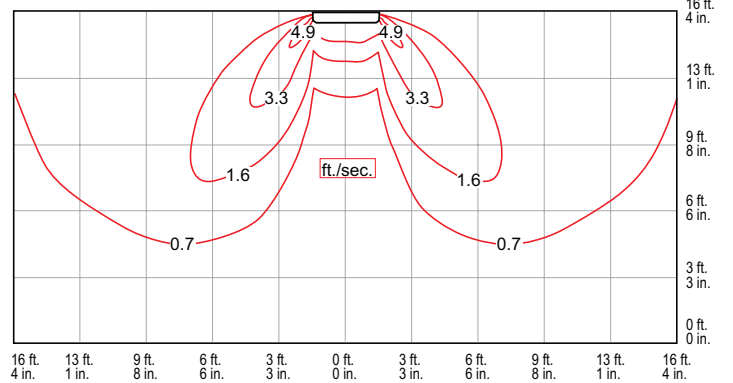
M22A018S4 - HEATING



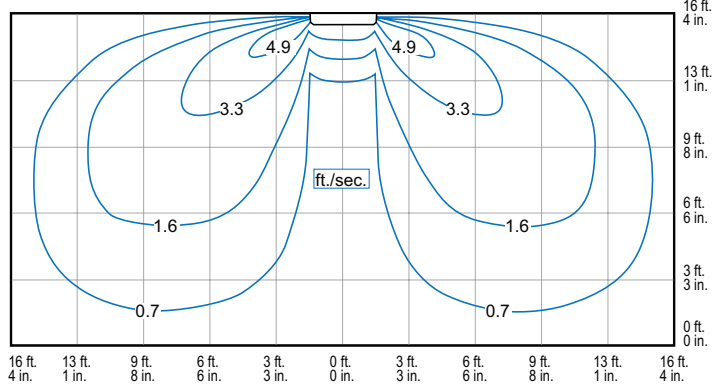
M33C024S4 - COOLING



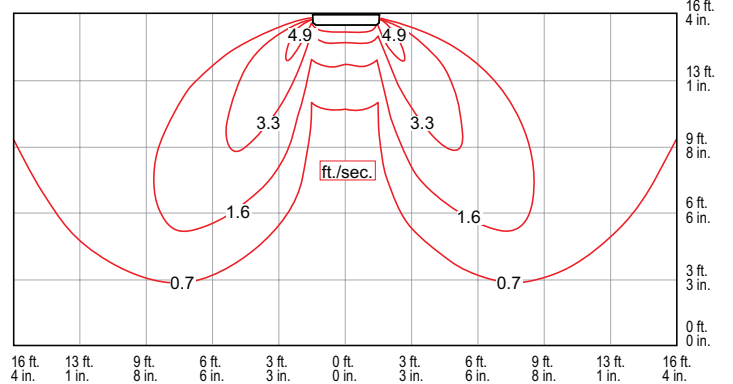
M33C024S4 - HEATING



M33C036S4 - COOLING



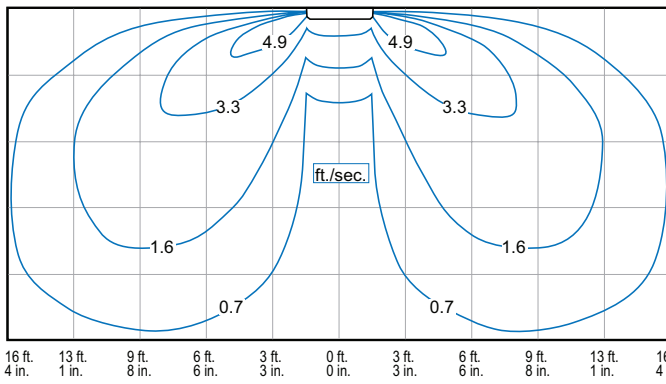
M33C036S4 - HEATING



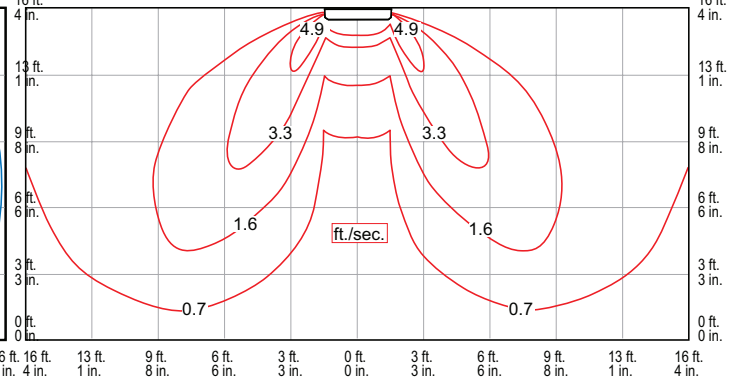
AIR THROW DATA

CASSETTE INDOOR UNITS

M33C048S4 - COOLING



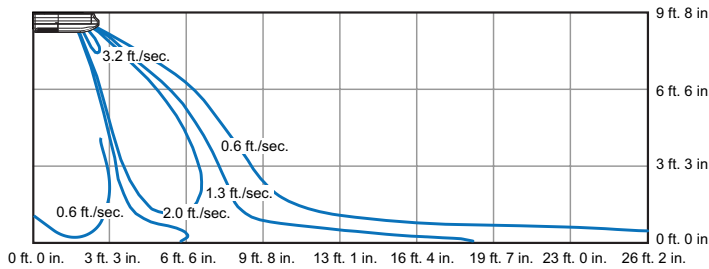
M33C048S4 - HEATING



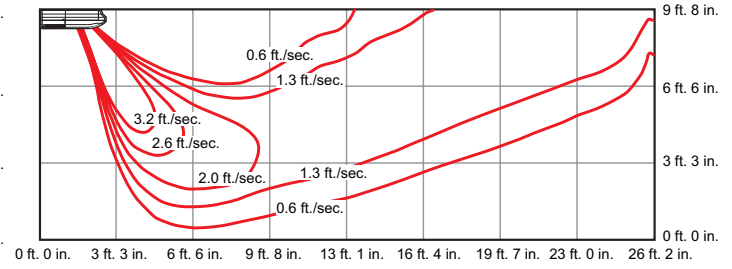
AIR THROW DATA

CEILING/FLOOR MOUNT INDOOR UNITS

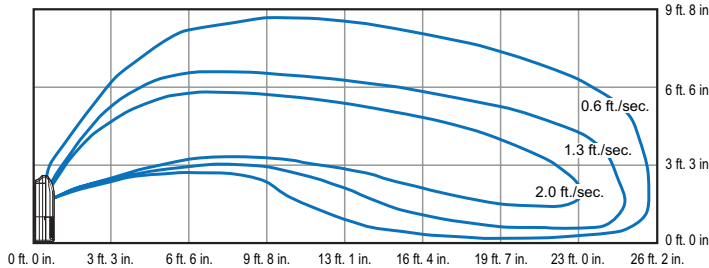
MCFB018S4 AND MCFA024S4 - COOLING - CEILING



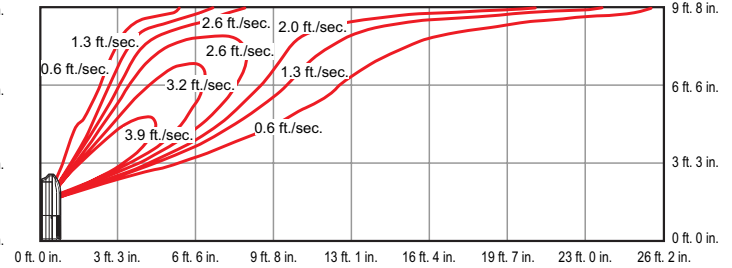
MCFB018S4 AND MCFA024S4 - HEATING - CEILING



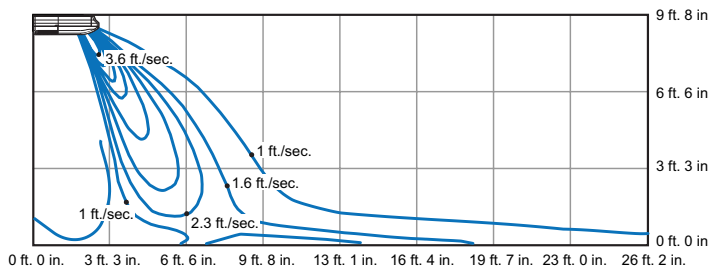
MCFB018S4 AND MCFA024S4 - COOLING - FLOOR



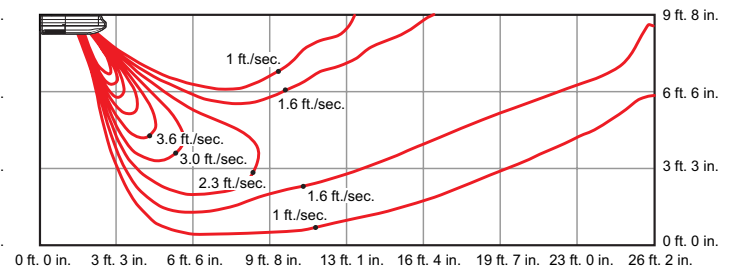
MCFB018S4 AND MCFA024S4 - HEATING - FLOOR



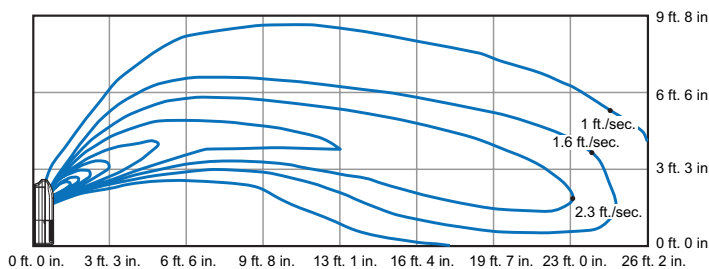
MCFA036S4 - CEILING - COOLING



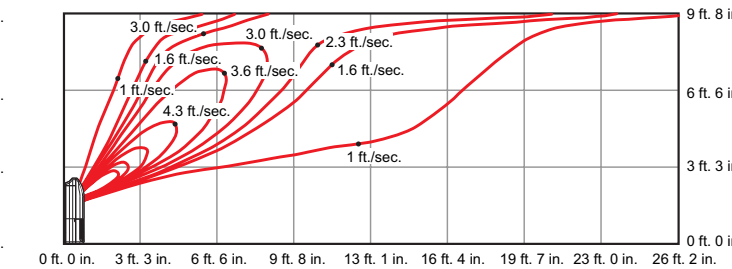
MCFA036S4 - CEILING - HEATING



MCFA036S4 - FLOOR - COOLING



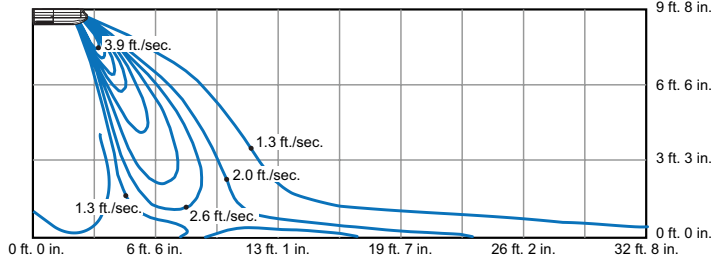
MCFA036S4 - FLOOR - HEATING



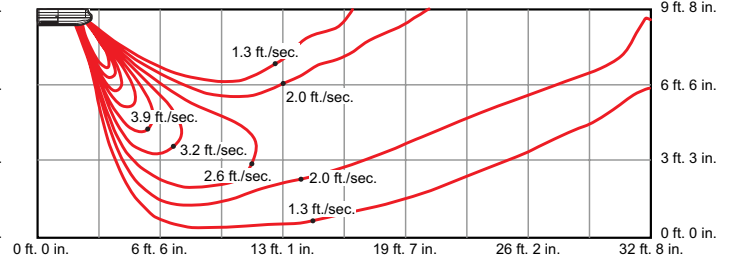
AIR THROW DATA

CEILING/FLOOR MOUNT INDOOR UNITS

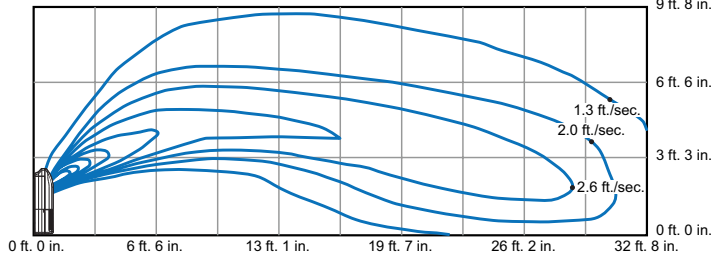
MCFA048S4 - CEILING - COOLING



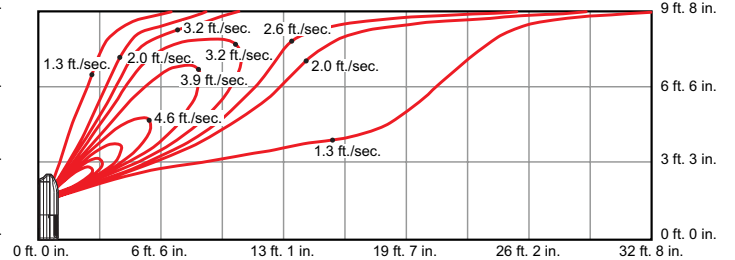
MCFA048S4 - CEILING - COOLING



MCFA048S4 - FLOOR - COOLING



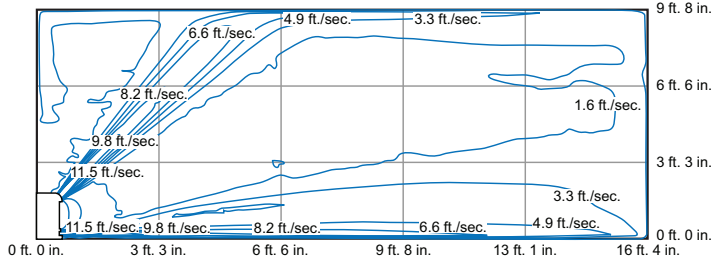
MCFA048S4 - FLOOR - HEATING



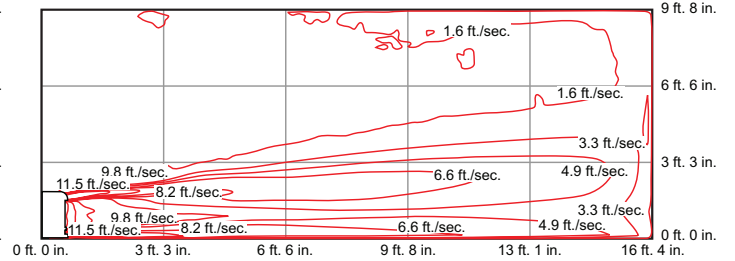
AIR THROW DATA

FLOOR MOUNT CONSOLE INDOOR UNITS

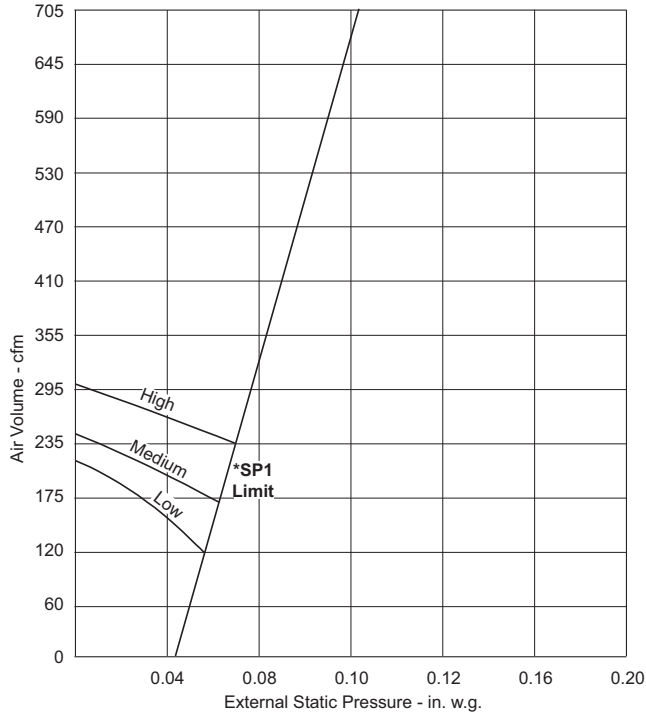
MFMA012S4 - COOLING - FLOOR



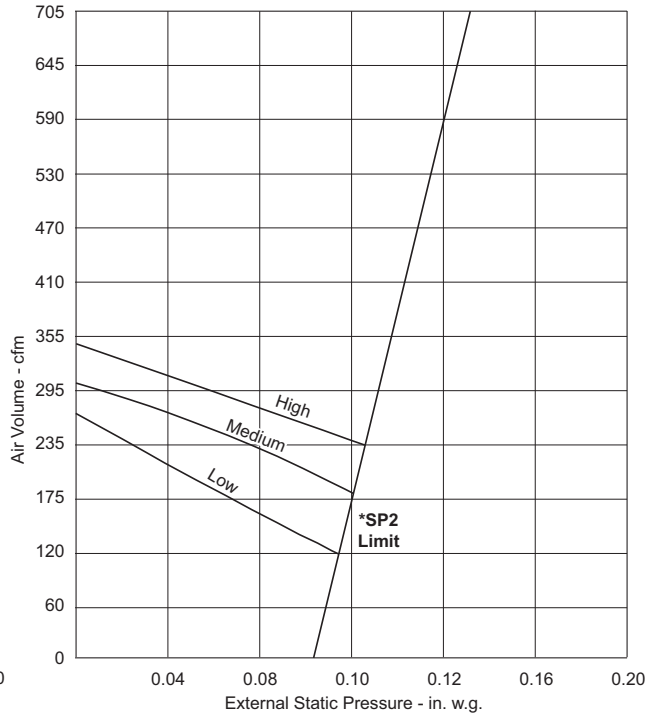
MFMA012S4 - HEATING - FLOOR



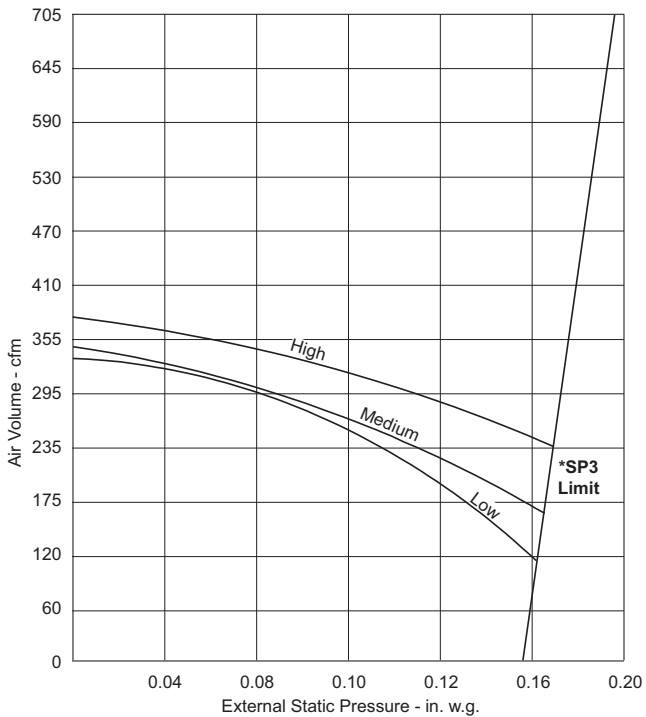
MMDB009S4



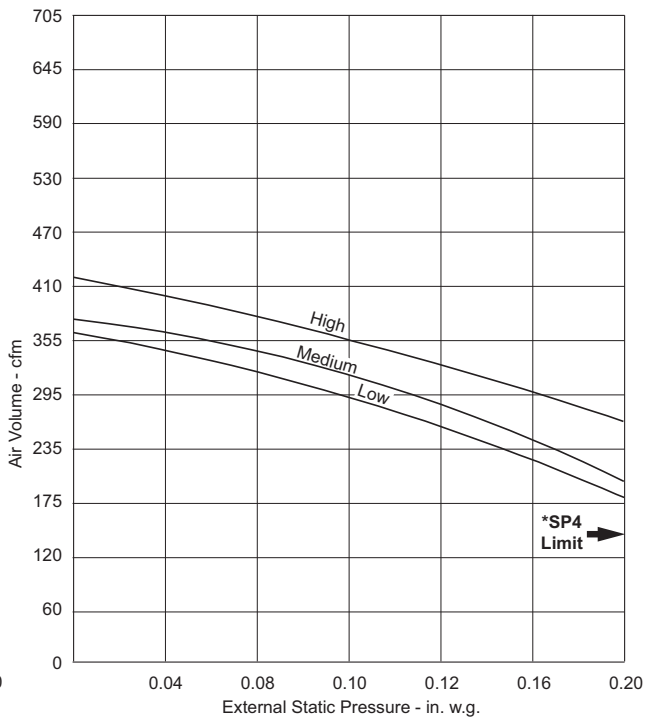
**SP1 Limit airflow rate setting on the controller.*



**SP2 Limit airflow rate setting on the controller.*

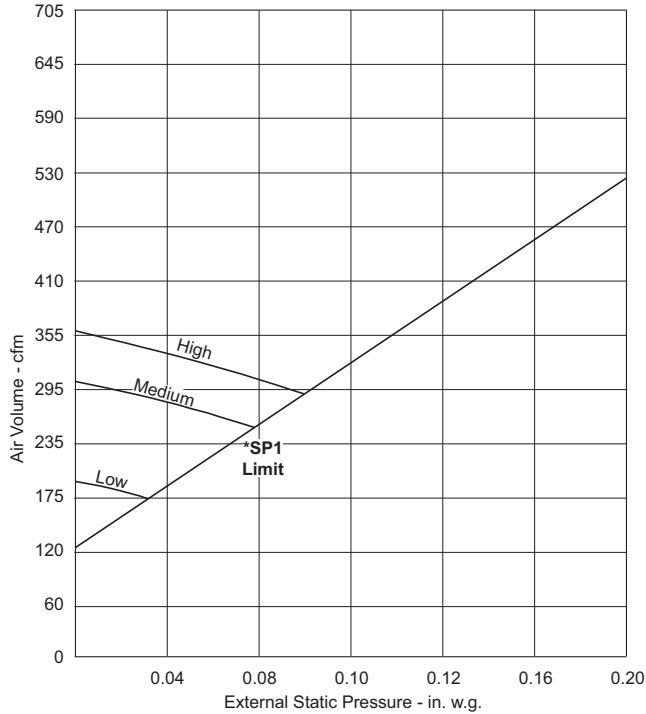


**SP3 Limit airflow rate setting on the controller.*

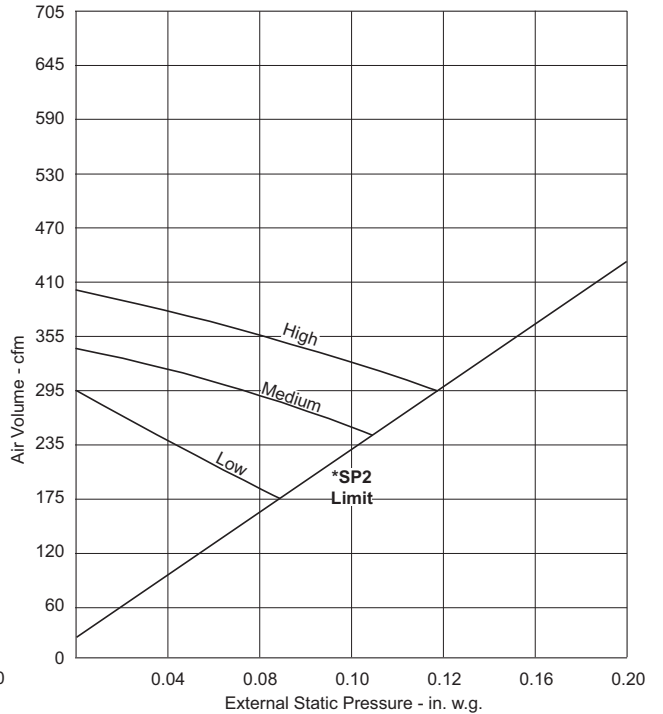


**SP4 Limit airflow rate setting on the controller.*

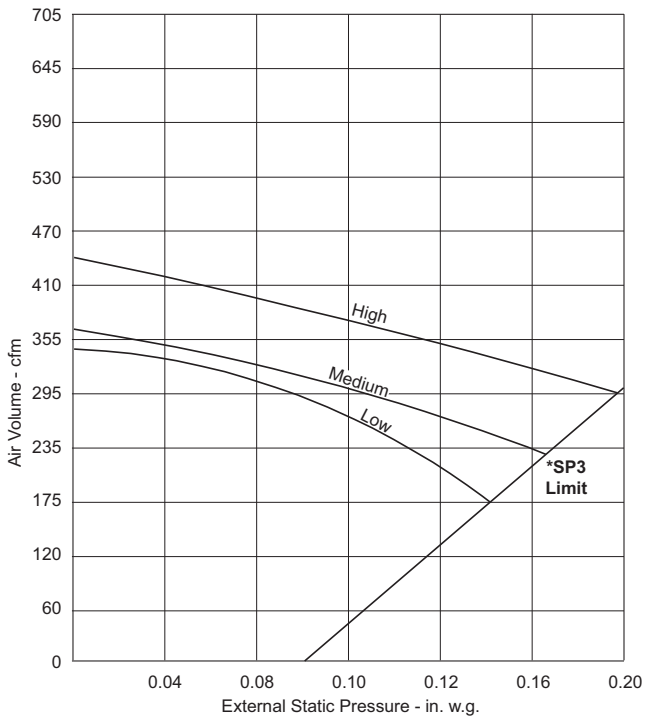
MMDB012S4



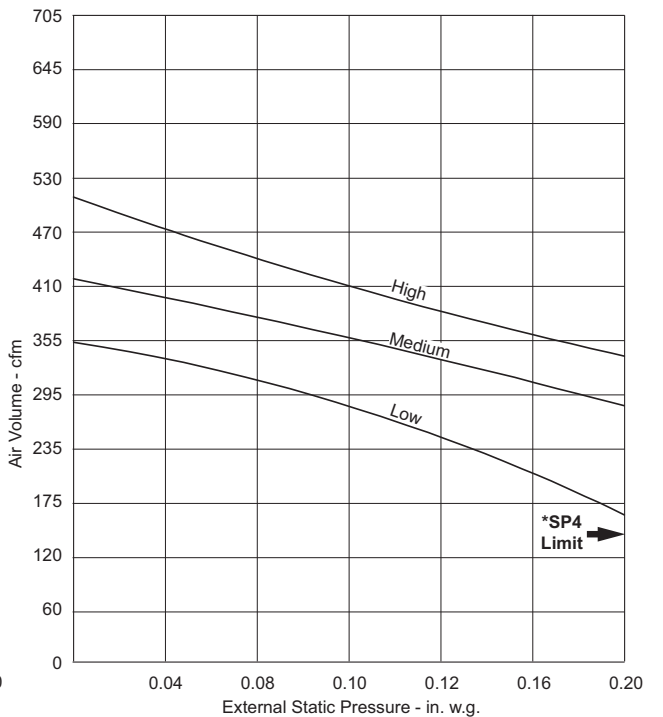
*SP1 Limit airflow rate setting on the controller.



*SP2 Limit airflow rate setting on the controller.

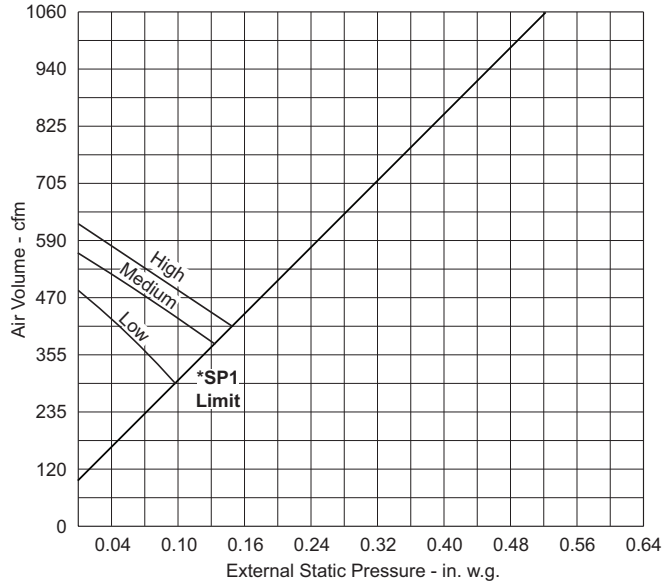


*SP3 Limit airflow rate setting on the controller.

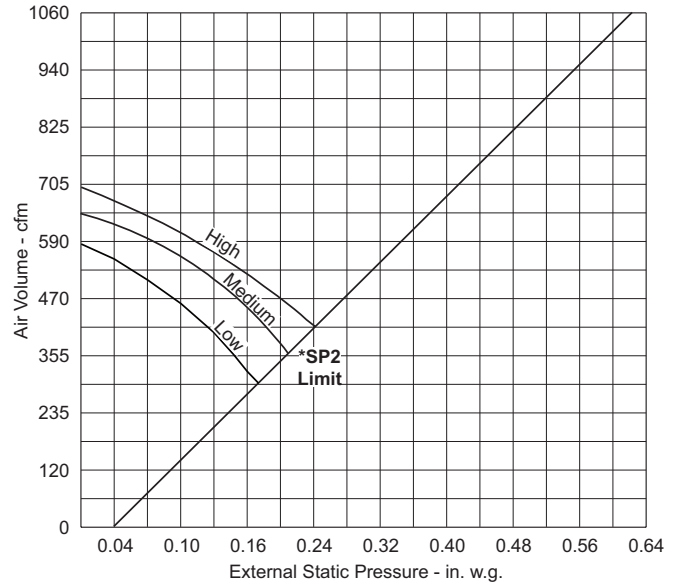


*SP4 Limit airflow rate setting on the controller.

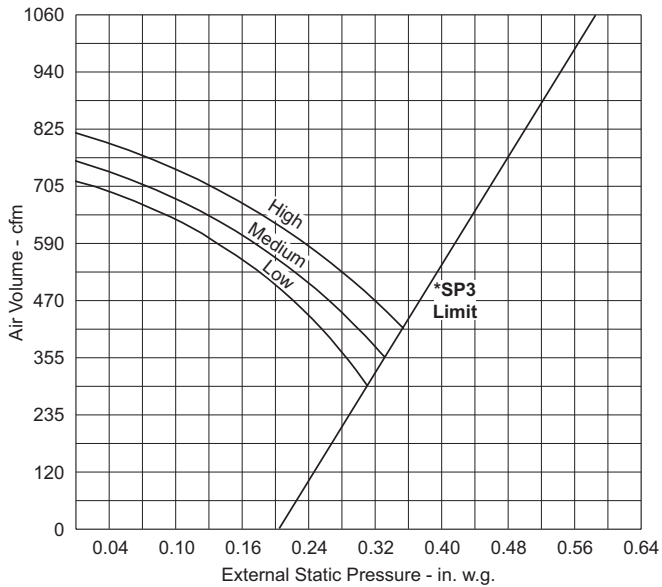
MMDB018S4



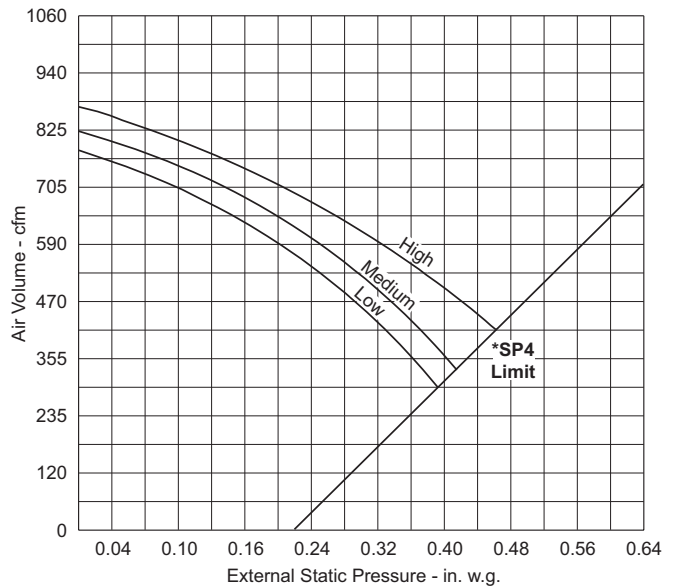
**SP1 Limit airflow rate setting on the controller.*



**SP2 Limit airflow rate setting on the controller.*

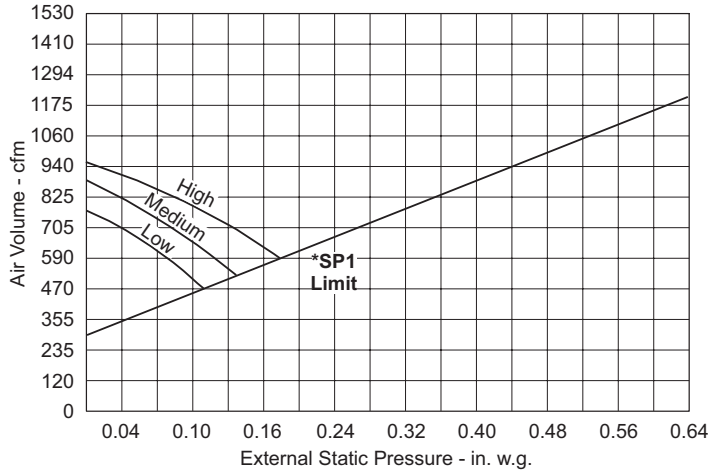


**SP3 Limit airflow rate setting on the controller.*

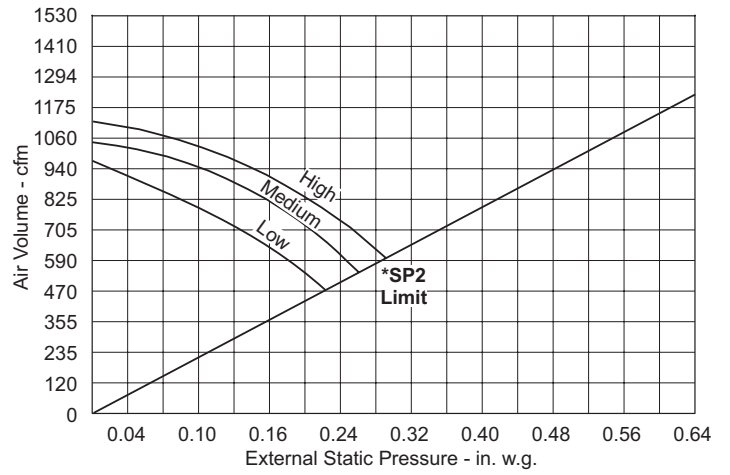


**SP4 Limit airflow rate setting on the controller.*

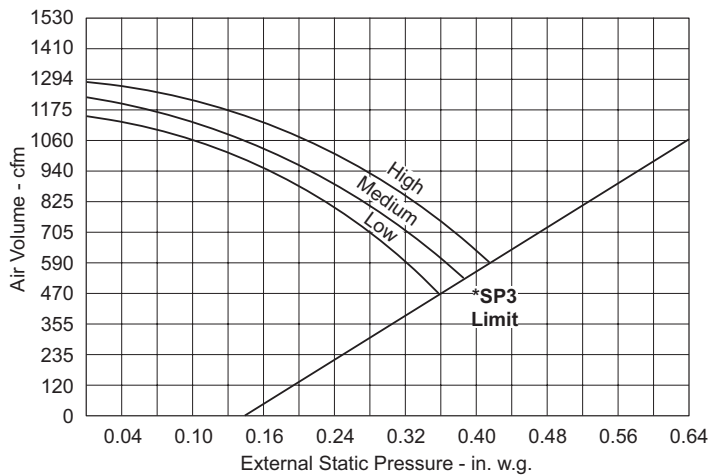
MMDB024S4



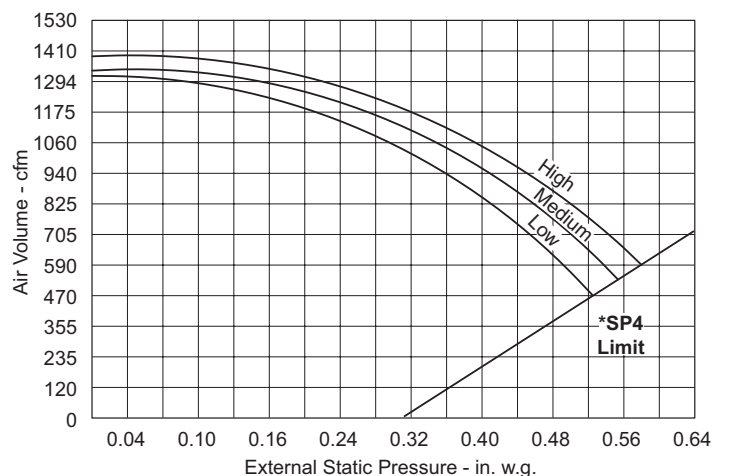
**SP1 Limit airflow rate setting on the controller.*



**SP2 Limit airflow rate setting on the controller.*

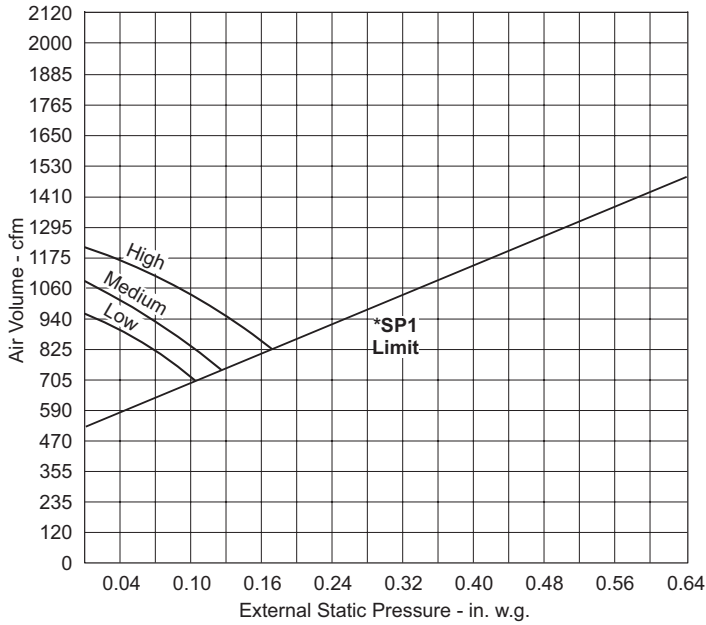


**SP3 Limit airflow rate setting on the controller.*

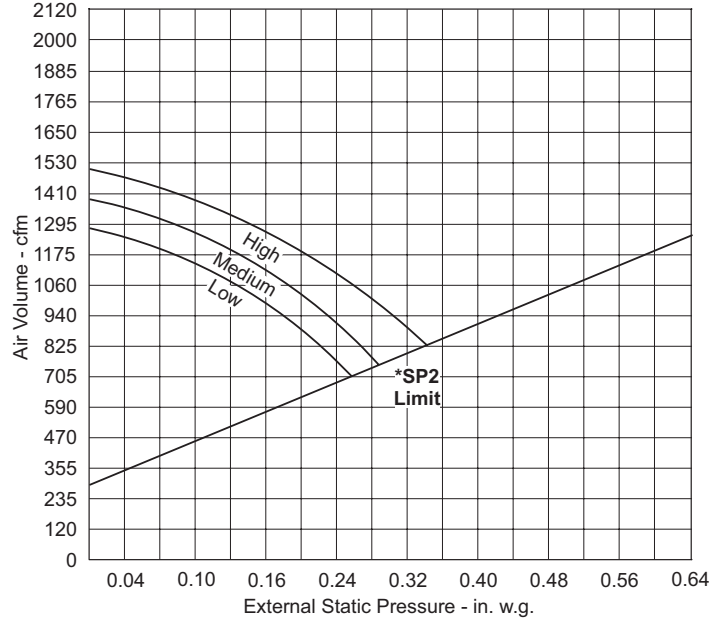


**SP4 Limit airflow rate setting on the controller.*

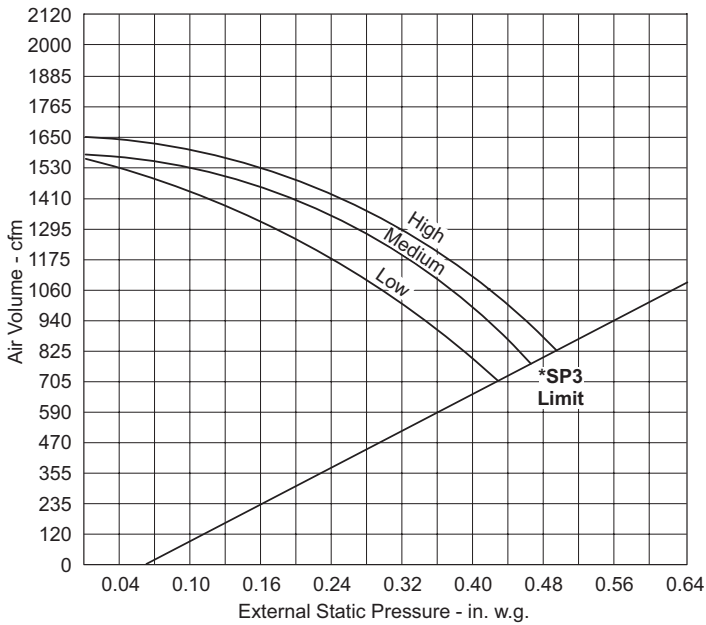
MMDB036S4



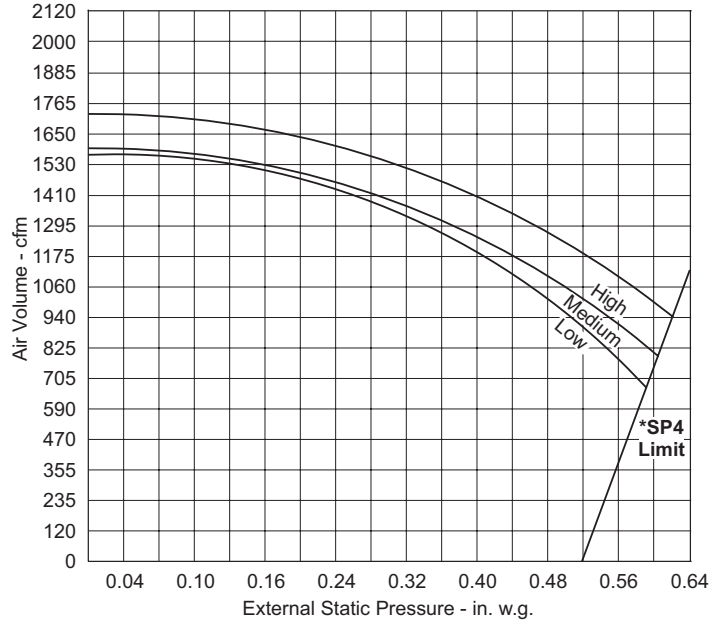
**SP1 Limit airflow rate setting on the controller.*



**SP2 Limit airflow rate setting on the controller.*

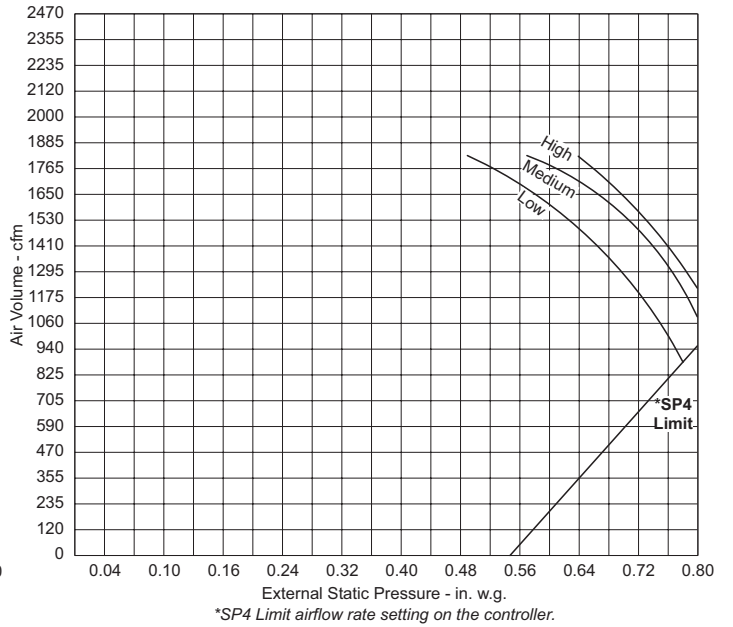
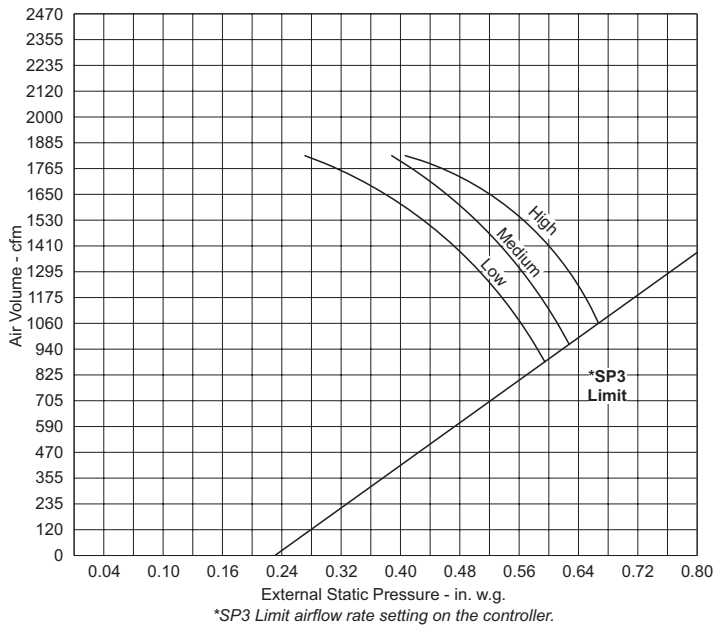
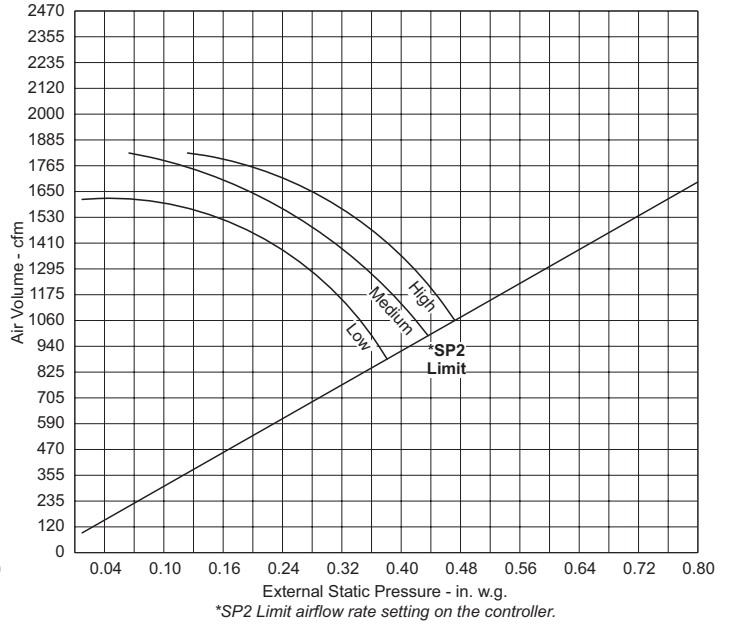
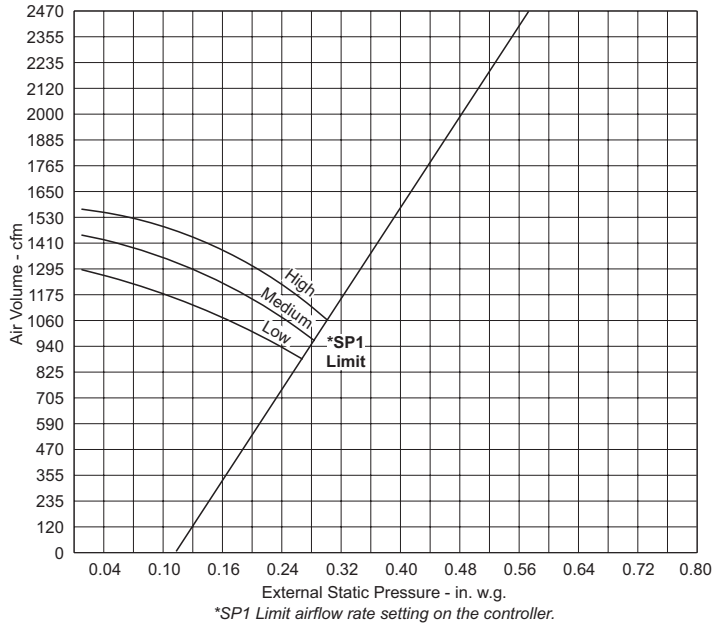


**SP3 Limit airflow rate setting on the controller.*

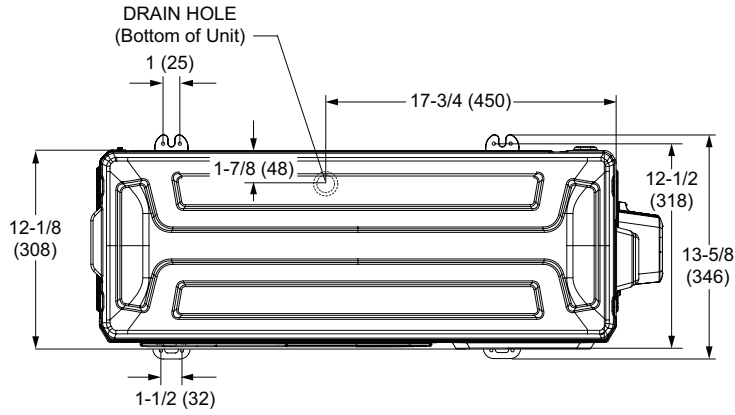


**SP4 Limit airflow rate setting on the controller.*

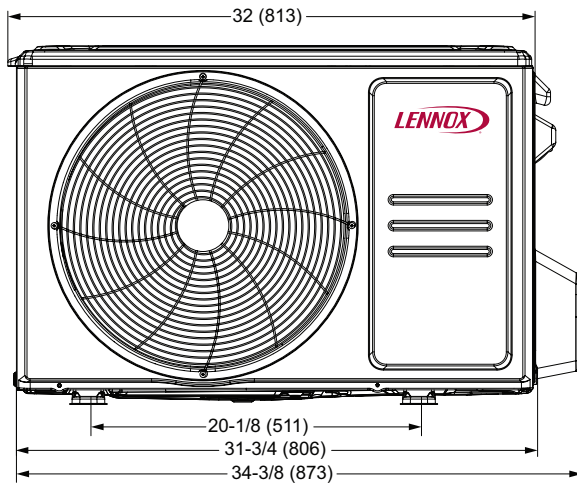
MMDB048S4



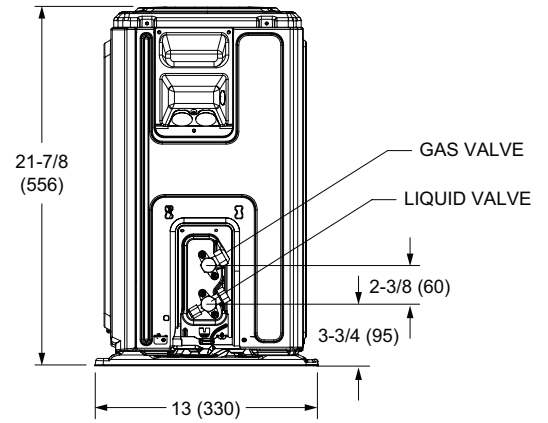
MLB009S4S | MLB012S4S



TOP VIEW

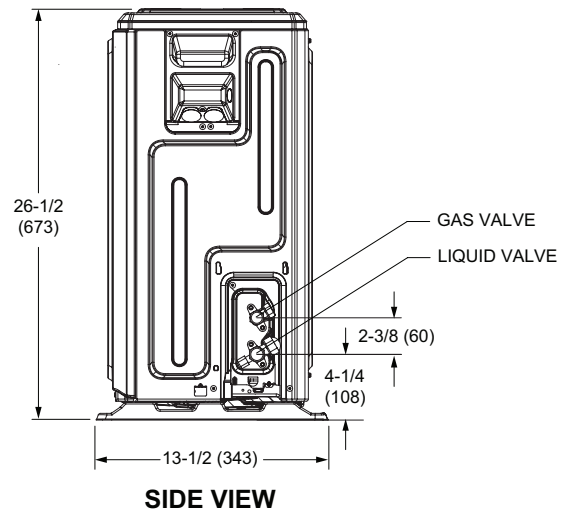
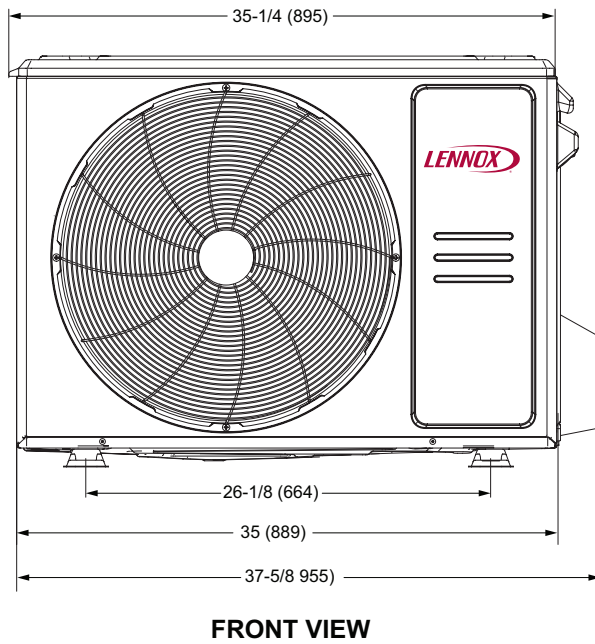
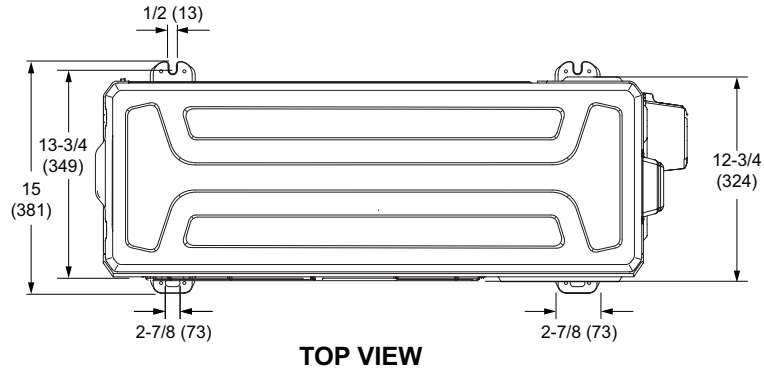


FRONT VIEW

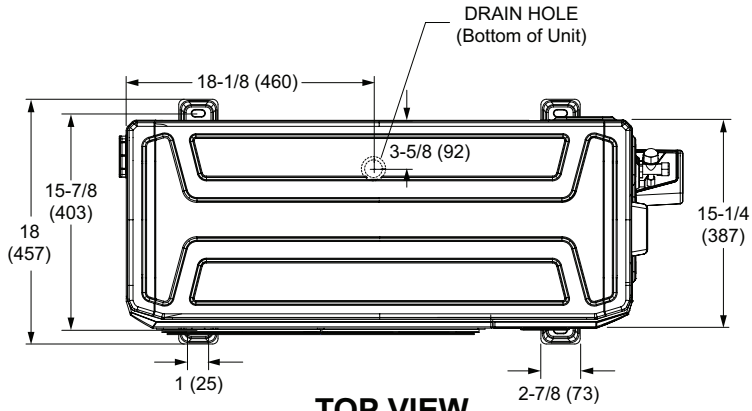


SIDE VIEW

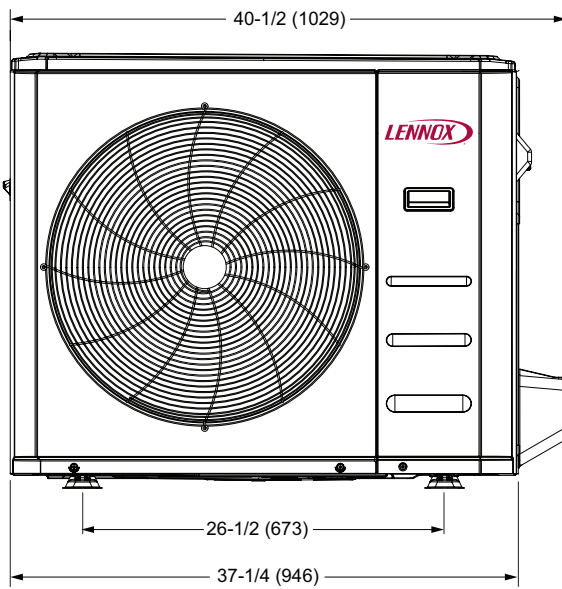
MLB018S4S



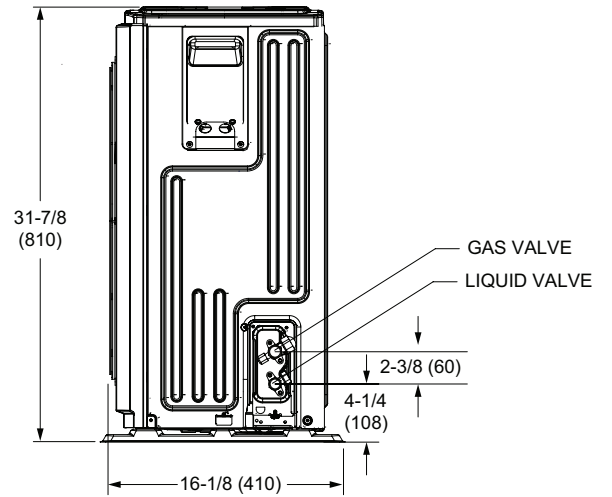
MLB024S4S



TOP VIEW

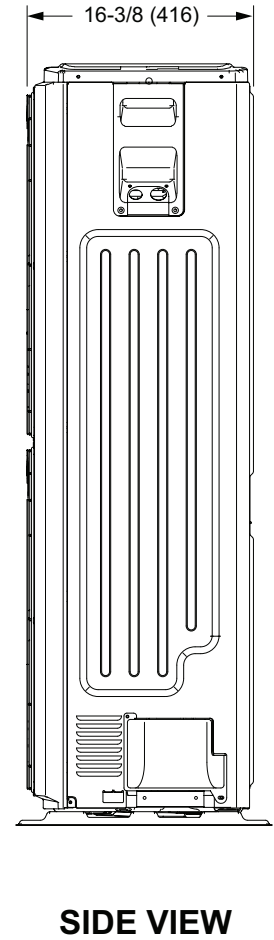
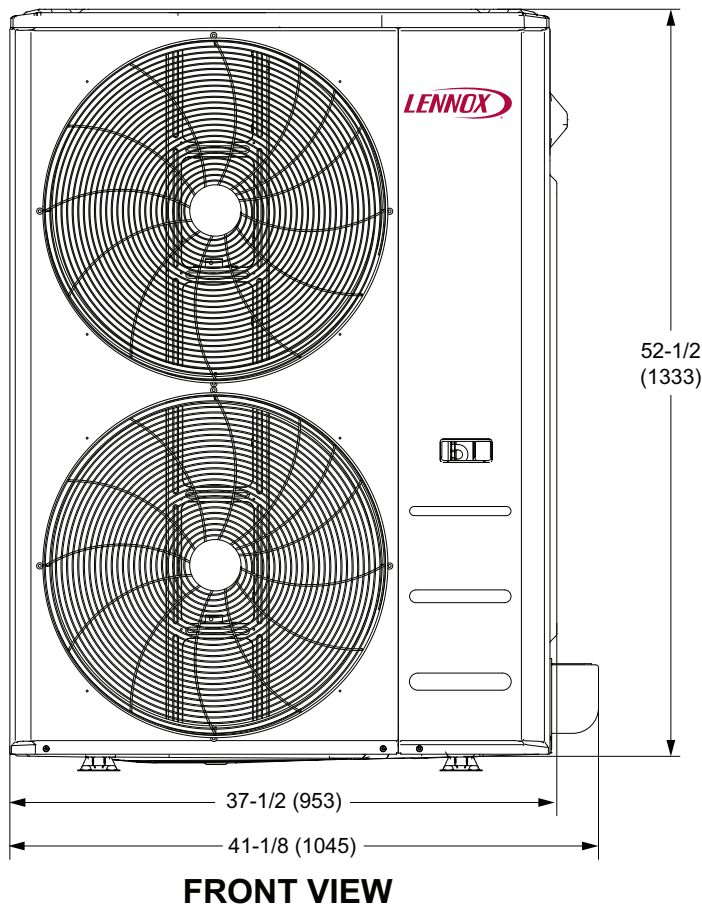
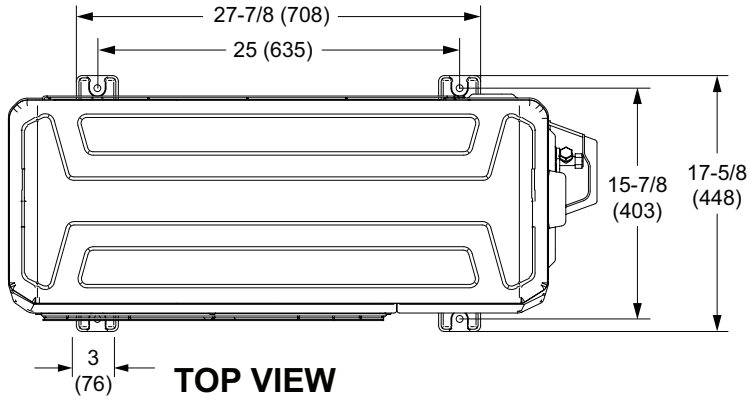


FRONT VIEW

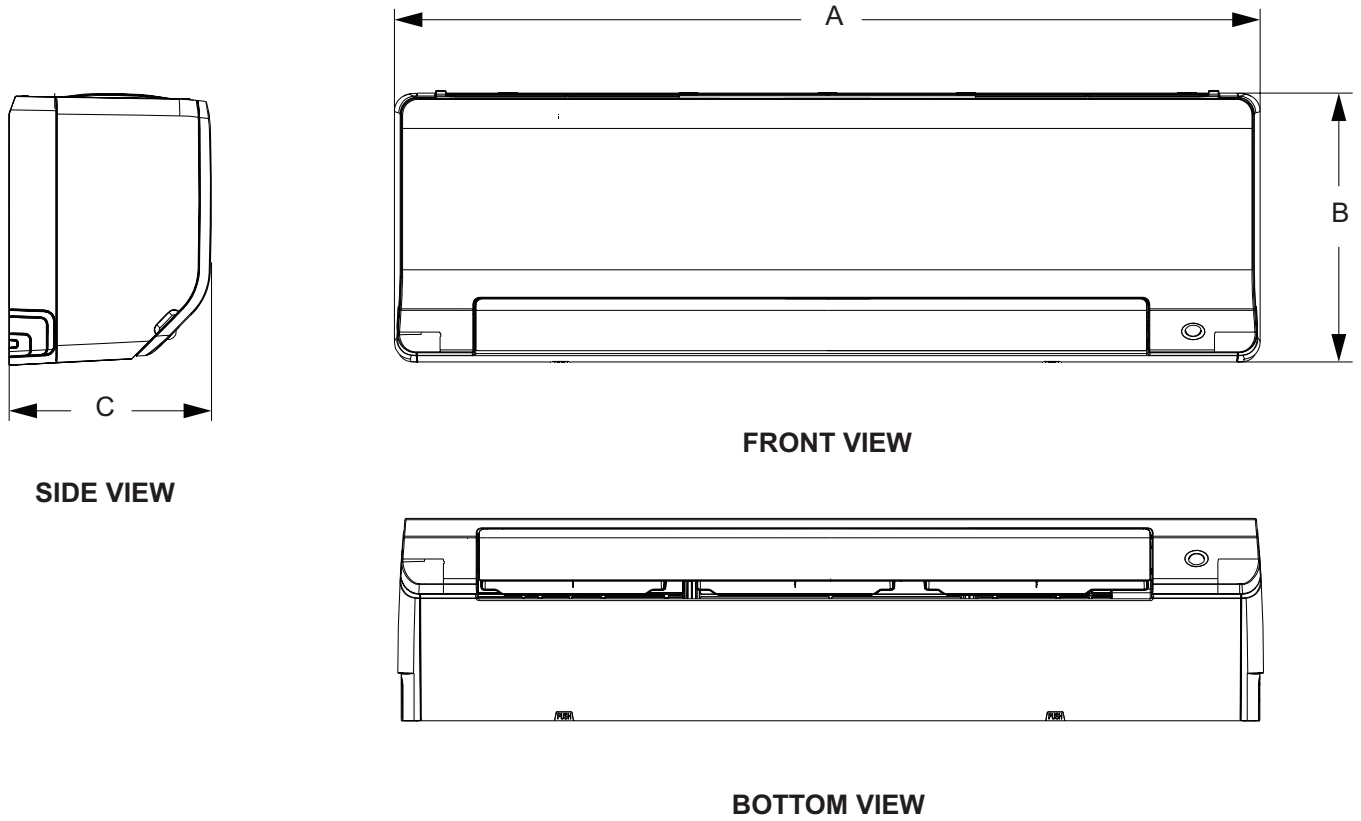


SIDE VIEW

MLB036S4S | MLB048S4S

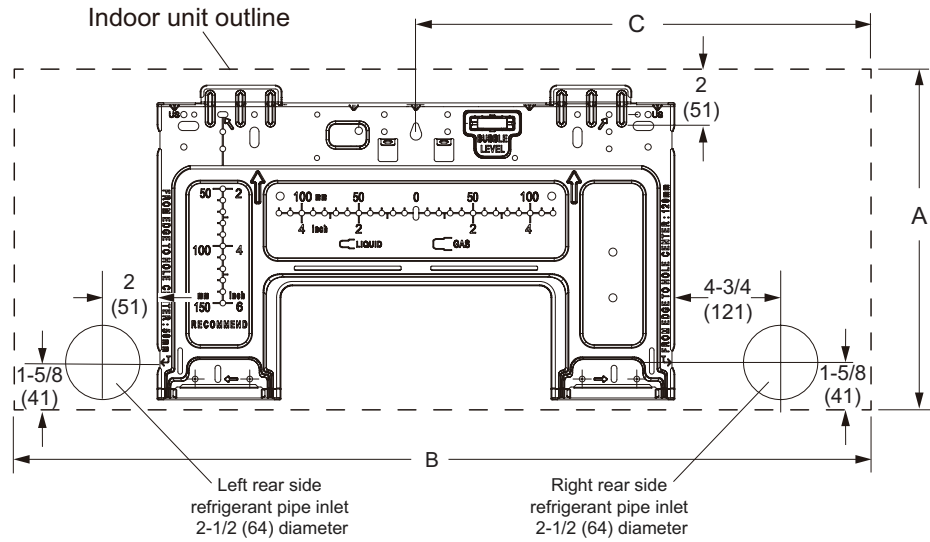


MWMC009S4 | MWMC012S4 | MWMC018S4 | MWMC024S4



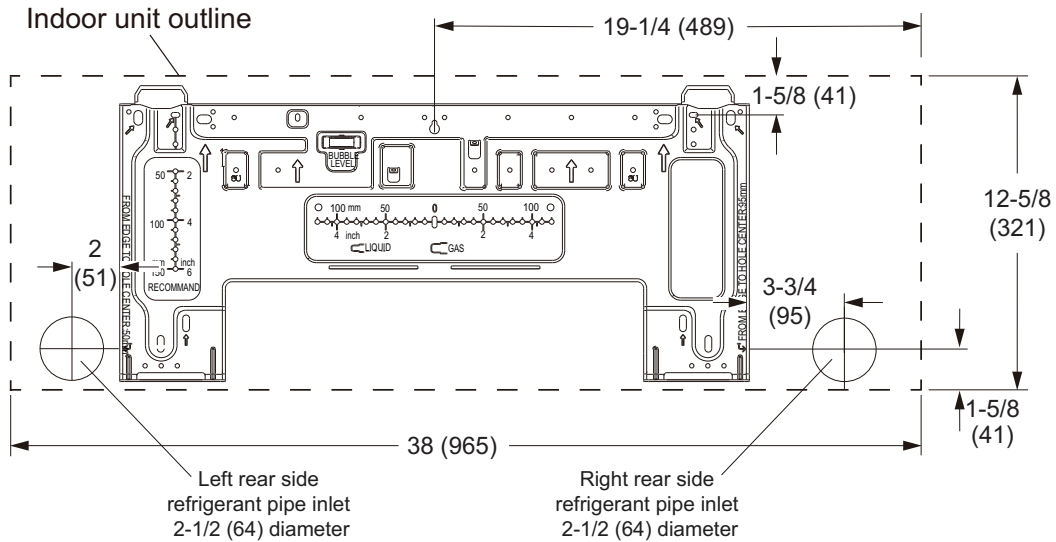
Size	A		B		C	
	in.	mm	in.	mm	in.	mm
MWMC009, 012	33-3/8	848	11-3/4	298	9	229
MWMC018	40	1016	12-1/2	318	9-1/2	241
MWMC024	46-7/8	1191	14-5/8	371	11	279

MWMC009S4 | MWMC012S4

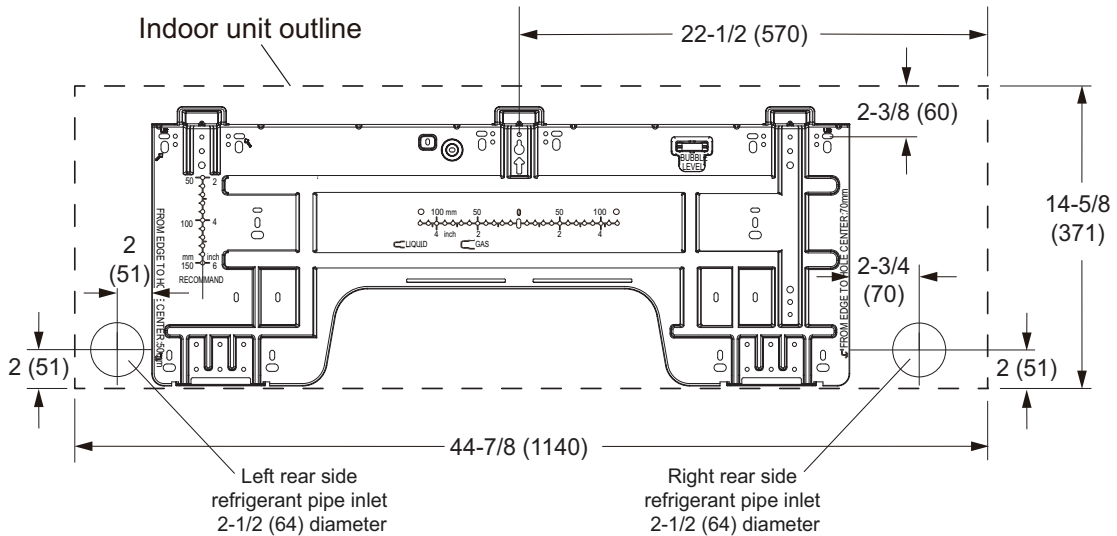


Size	A		B		C	
	in.	mm	in.	mm	in.	mm
MWMC009	11-1/2	290	28-1/2	724	13-3/4	349
MWMC012	11-3/4	297	31-3/4	806	15-7/8	403

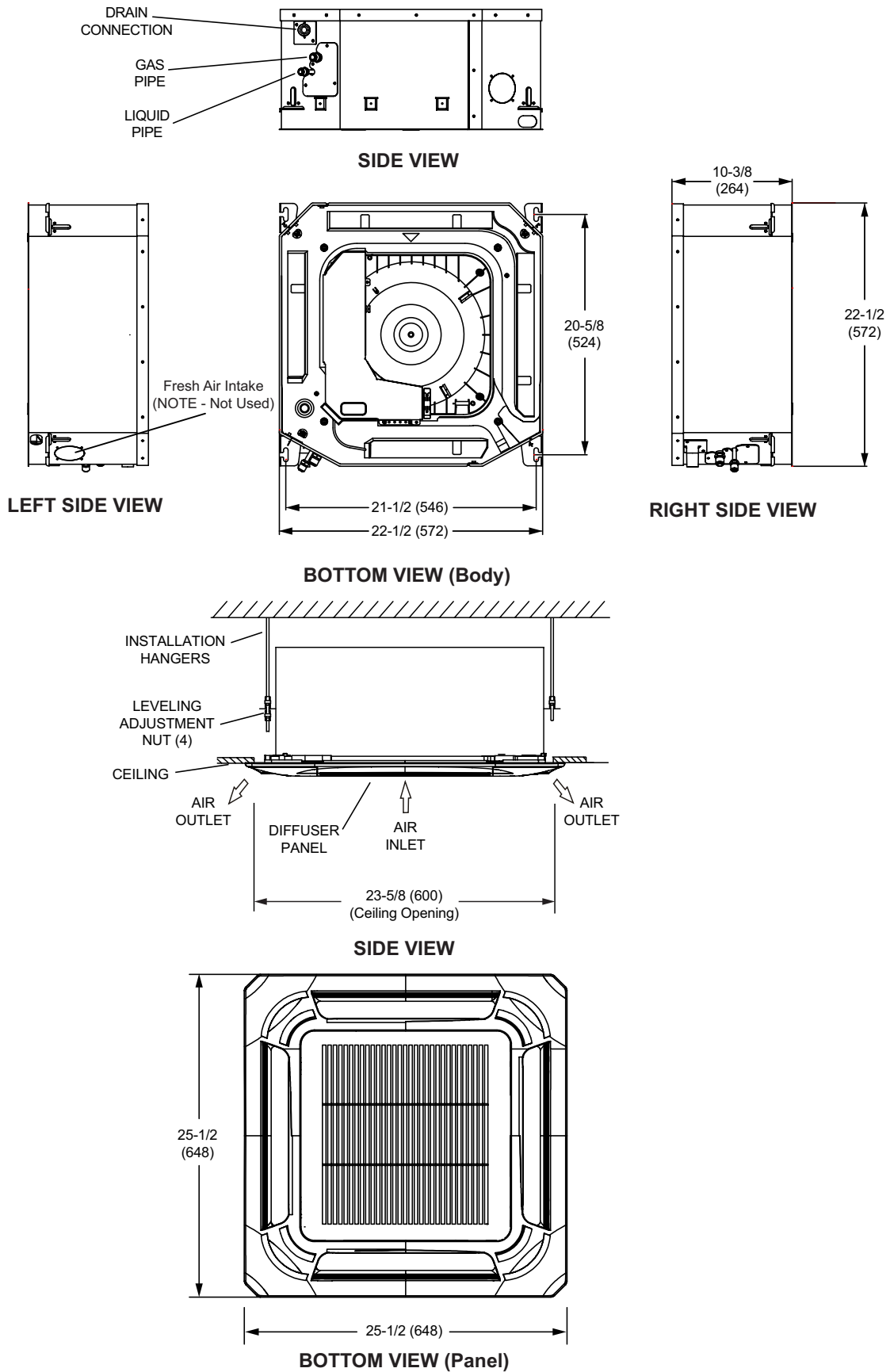
MWMC018S4



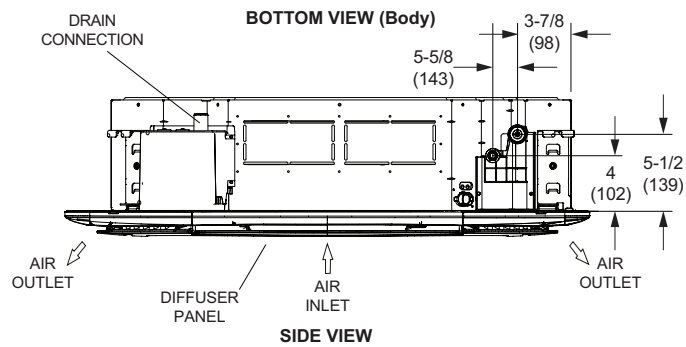
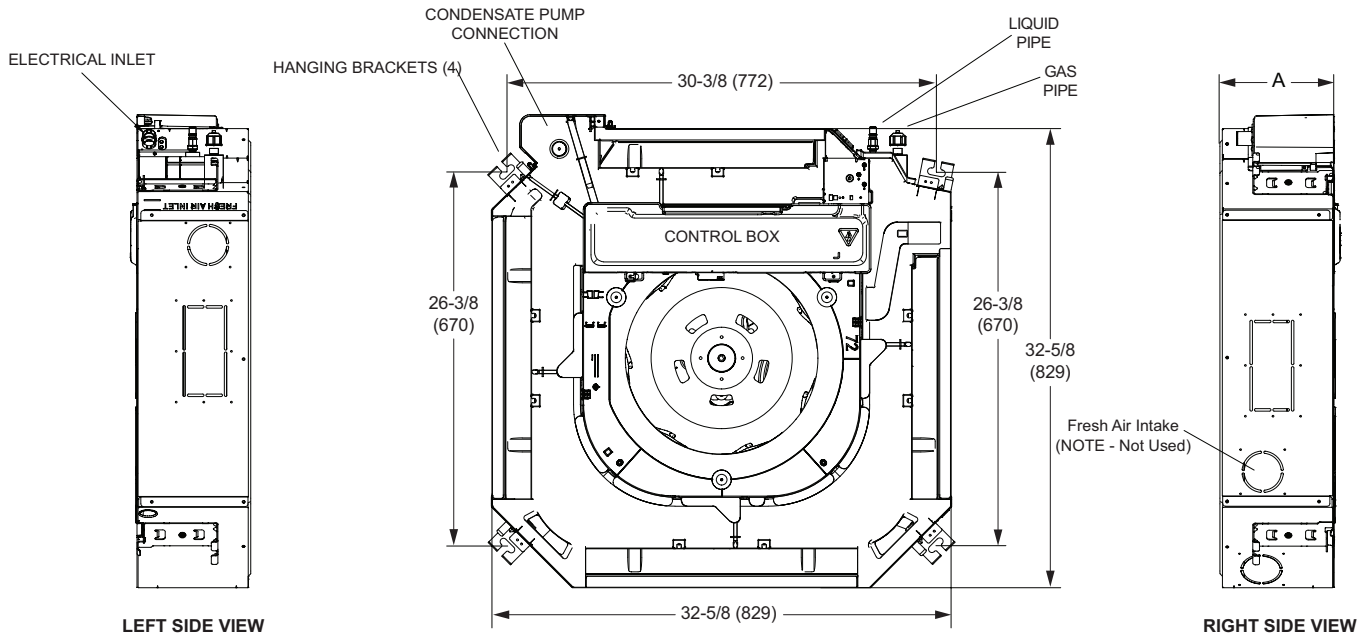
MWMC024S4



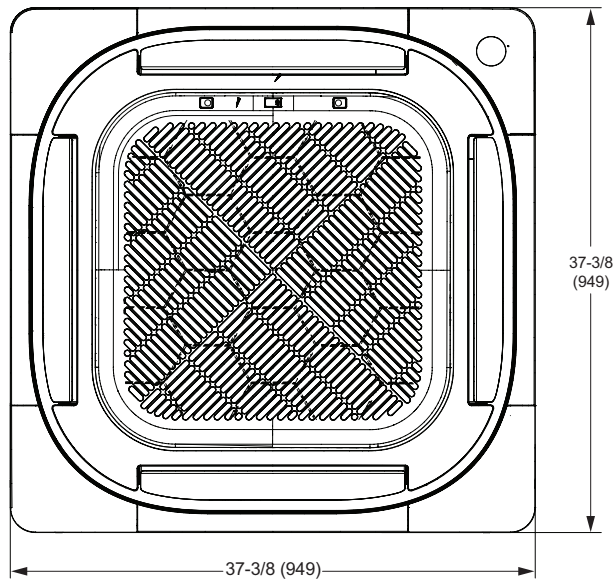
M22A009S4 | M22A012S4 | M22A018S4



M33C024S4 | M33C036S4 | M33C048S4



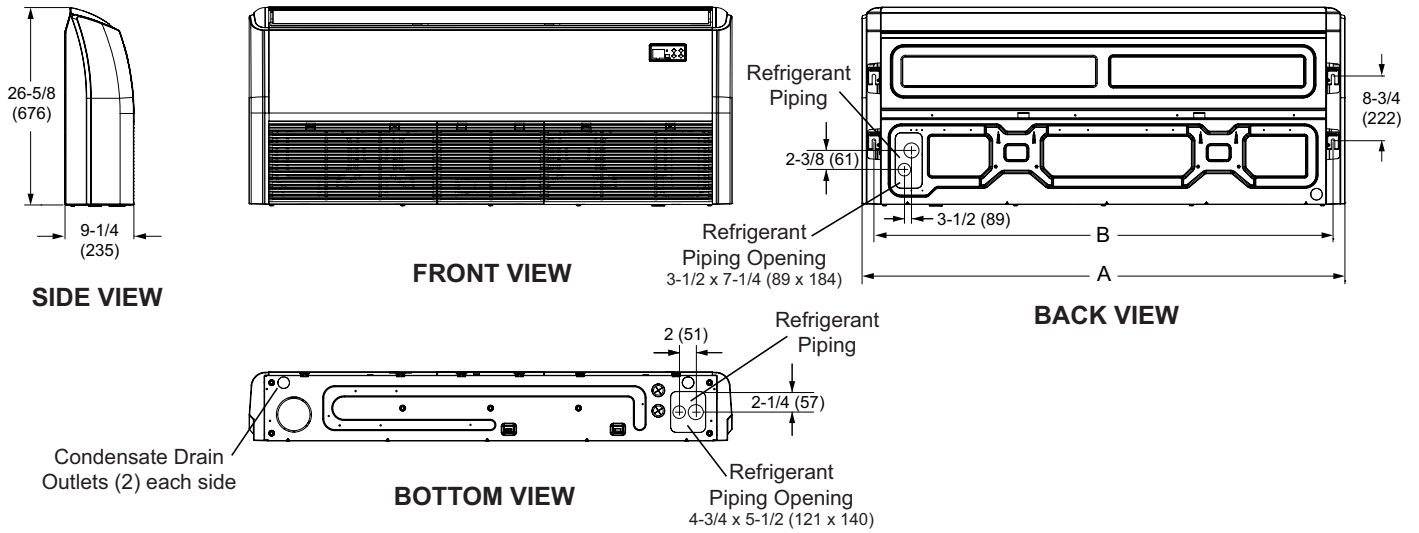
Size	A	
	in.	mm
024	8-1/8	206
036	9-5/8	244
048	11-1/4	286



DIMENSIONS

CEILING/FLOOR MOUNT INDOOR UNITS

MCFB018S4 | MCFA024S4 | MCFA036S4 | MCFA048S4

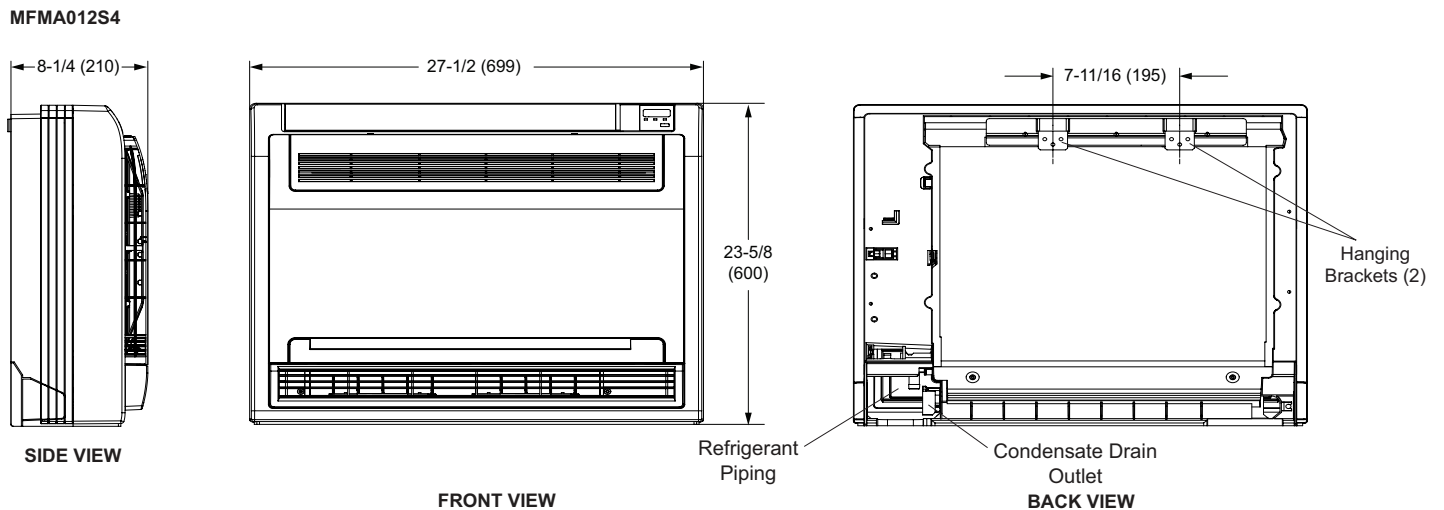


Model No.	A		B	
	in.	mm	in.	mm
018	42	1067	37	940
024	42-1/8	1070	39	991
036	50-5/8	1286	47-3/8	1203
048	65	1651	61-3/4	1568

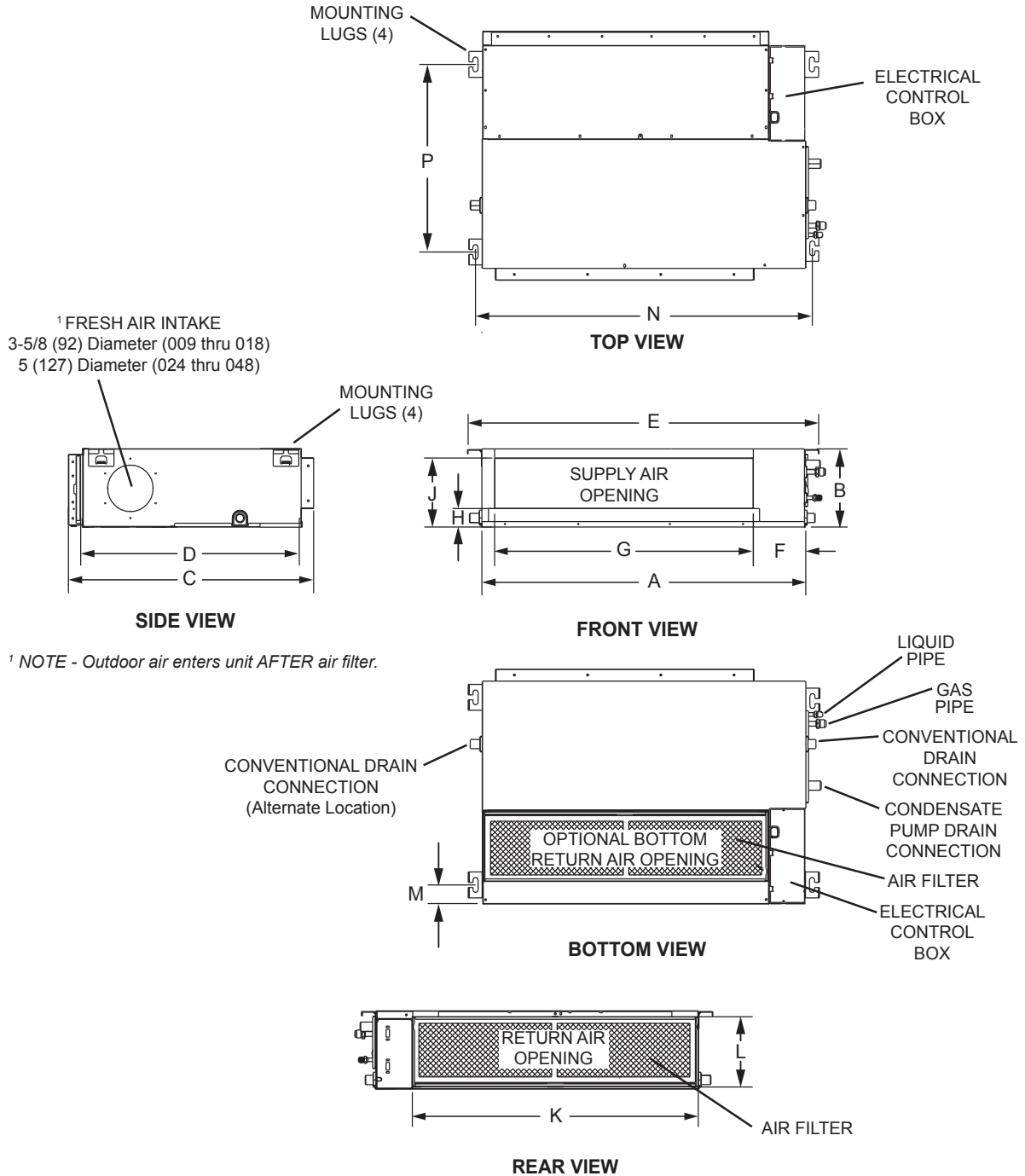
DIMENSIONS

FLOOR MOUNT CONSOLE INDOOR UNIT

MFMA012S4

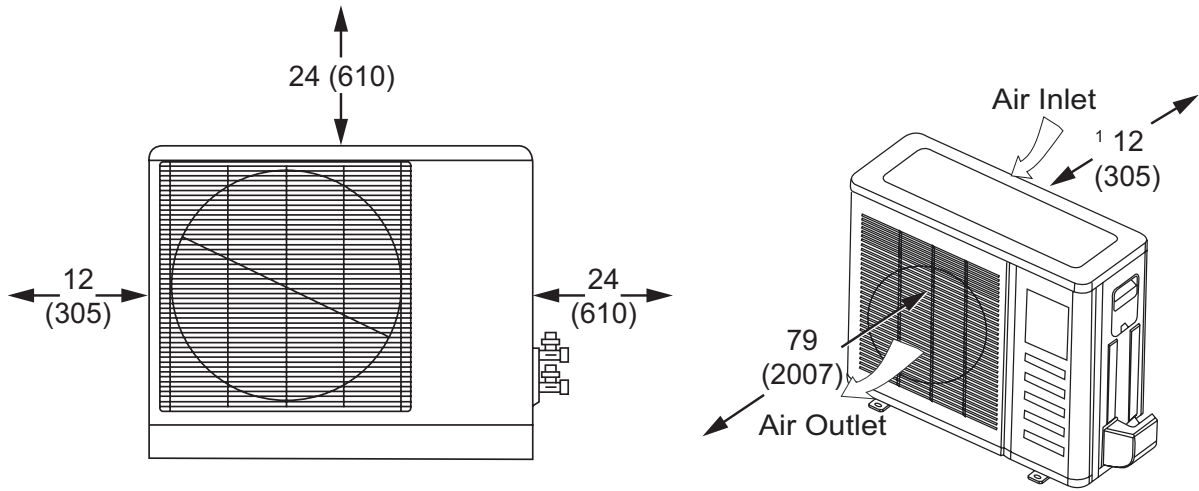


MMDB009S4 | MMDB012S4 | MMDB018S4 | MMDB024S4 | MMDB036S4 | MMDB048S4

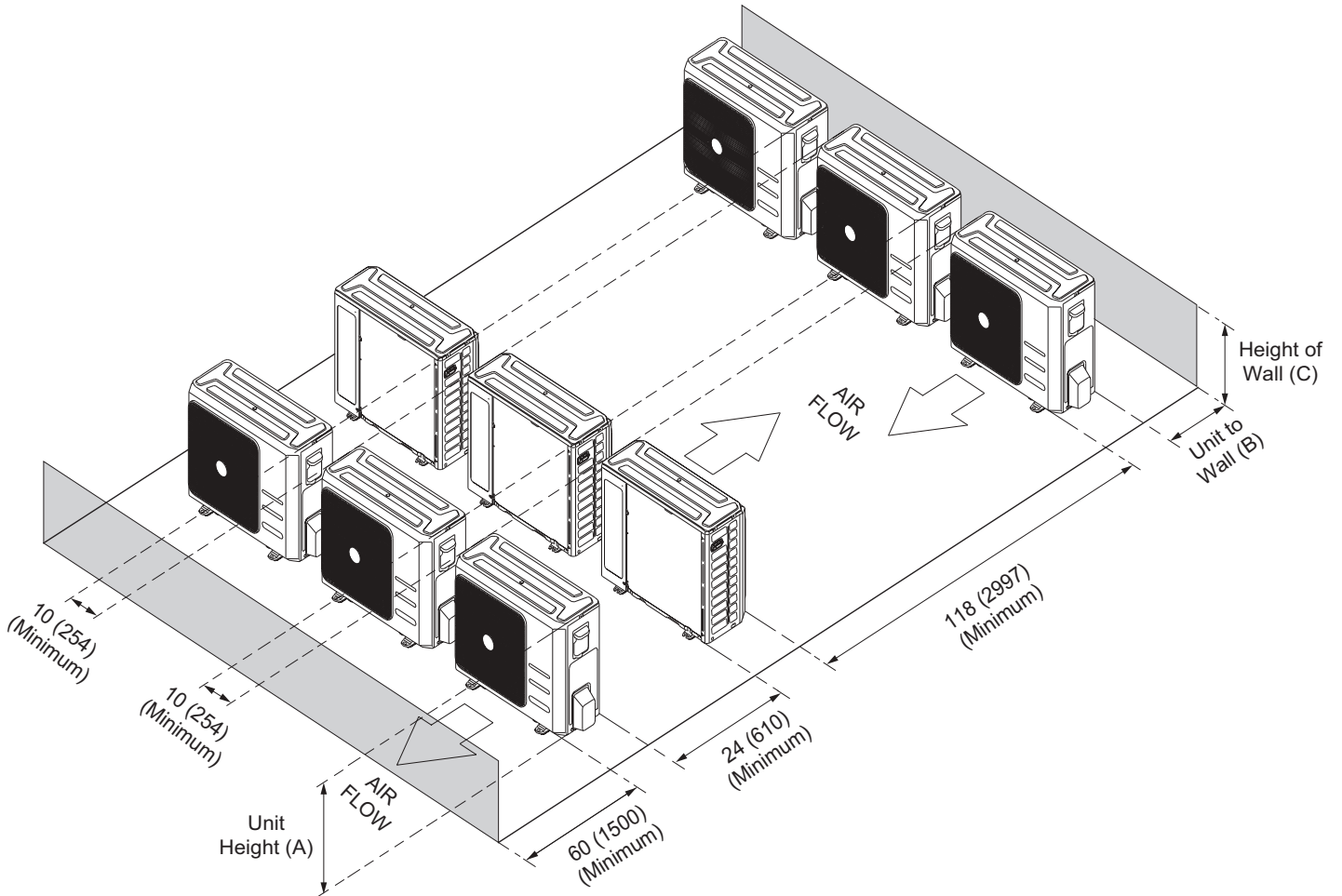


Size	A		B		C		D		E		F		G		H	
	in.	mm	in.	mm	in.	mm	in.	mm	in.	mm	in.	mm	in.	mm	in.	mm
009 thru 012	27-5/8	702	7-7/8	200	19-7/8	505	17-3/4	451	30-3/4	781	5-3/8	137	21-1/8	537	1-1/8	29
018	34-5/8	879	8-1/4	210	26-1/2	673	23-5/8	600	37-7/8	962	5-1/2	140	27-3/4	705	2	51
024	43-1/4	1099	9-3/4	248	30-1/2	775	27-1/2	699	46-1/2	1181	5-1/2	140	36-1/2	927	2	51
036	53-1/2	1359	9-3/4	249	30-1/2	775	27-1/2	699	56-3/4	1441	5-1/2	140	46-3/4	1187	2	51
048	47-1/4	1200	11-7/8	302	34-3/8	873	31-1/2	800	50-1/2	1283	4-7/8	124	41-1/8	1045	2	51

Size	J		K		L		M		N		P	
	in.	mm	in.	mm	in.	mm	in.	mm	in.	mm	in.	mm
009 thru 012	6	152	23-5/8	600	7-3/8	187	2	51	29-1/8	740	14-1/8	359
018	5-3/8	137	30-3/4	781	7-1/2	191	1-5/8	41	36-1/4	921	20	508
024	6-7/8	175	39-3/8	1000	9	229	1/4	6	44-7/8	1140	23-1/2	597
036	6-7/8	175	49-5/8	1260	9	229	1/4	6	55-1/8	1400	23-1/2	597
048	9	229	43-3/8	1102	11	279	1/4	6	48-7/8	1241	27-1/2	699



¹ Minimum rear clearance can be 6 inches (152 mm) when mounted on brackets and with no obstructions on the other three sides.



CLEARANCE NOTES FOR MULTIPLE UNITS:

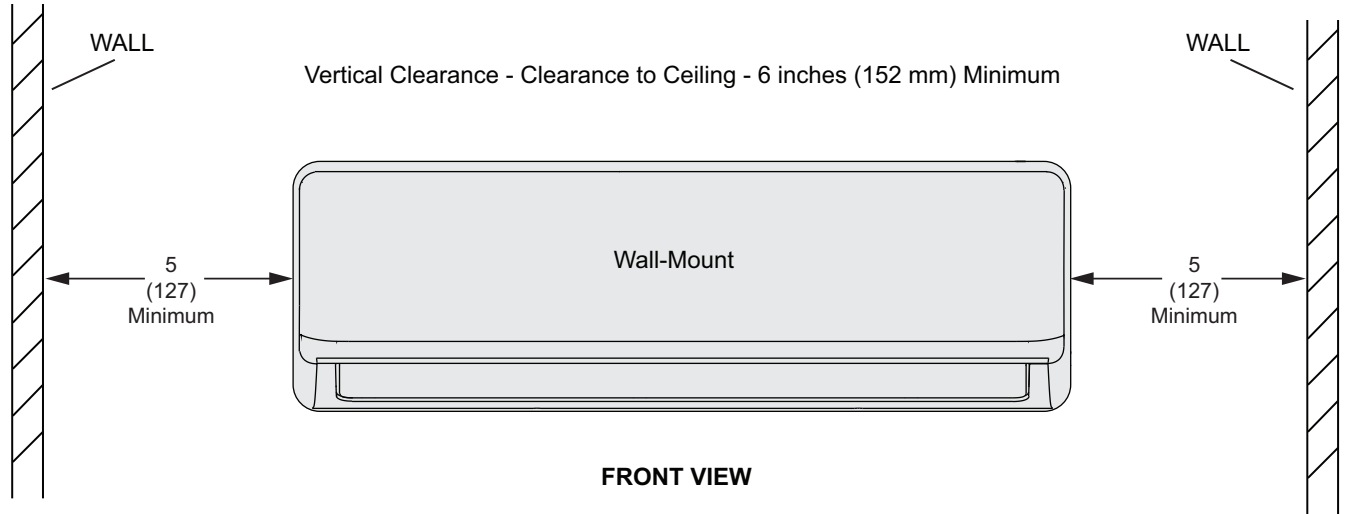
If the height of the wall (C) is less than or equal to the height of the smallest unit (A), the distance from the unit to the wall (B) must be a minimum of 10 inches (254 mm).

If 1/2 the height of the unit (A) is less than the height of the wall (C), the distance from the unit to the wall (B) must be a minimum of 12 inches (305 mm).

If the height of the wall (C) is greater than the height of the unit (A), the distance from the unit to the wall (B) must be a minimum of 20 inches (508 mm).

INSTALLATION CLEARANCES

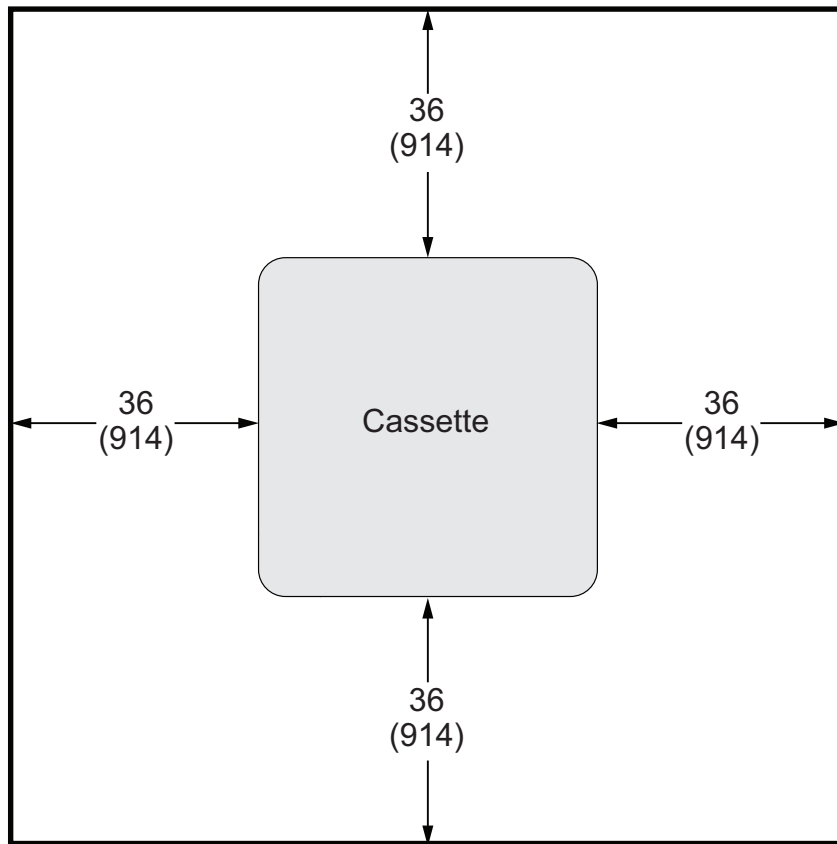
WALL-MOUNTED INDOOR UNITS



Vertical Clearance - Clearance to Floor - 72 inches (1829 mm) Minimum
NOTE - Provide 96 inches (2438) clearance to floor for best performance

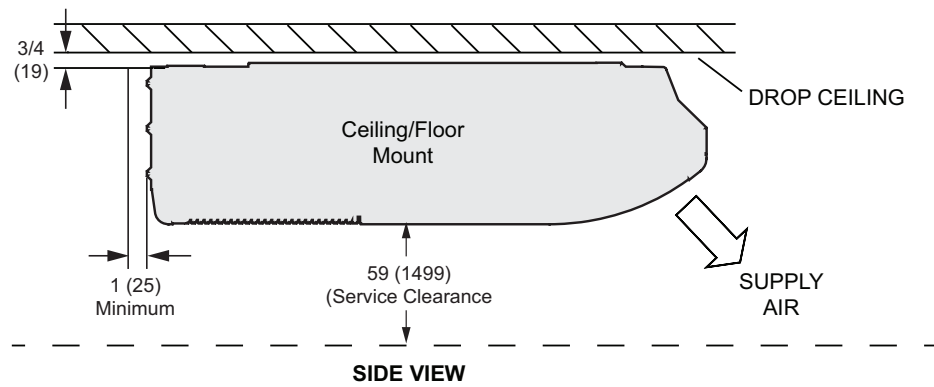
INSTALLATION CLEARANCES

CASSETTE INDOOR UNITS

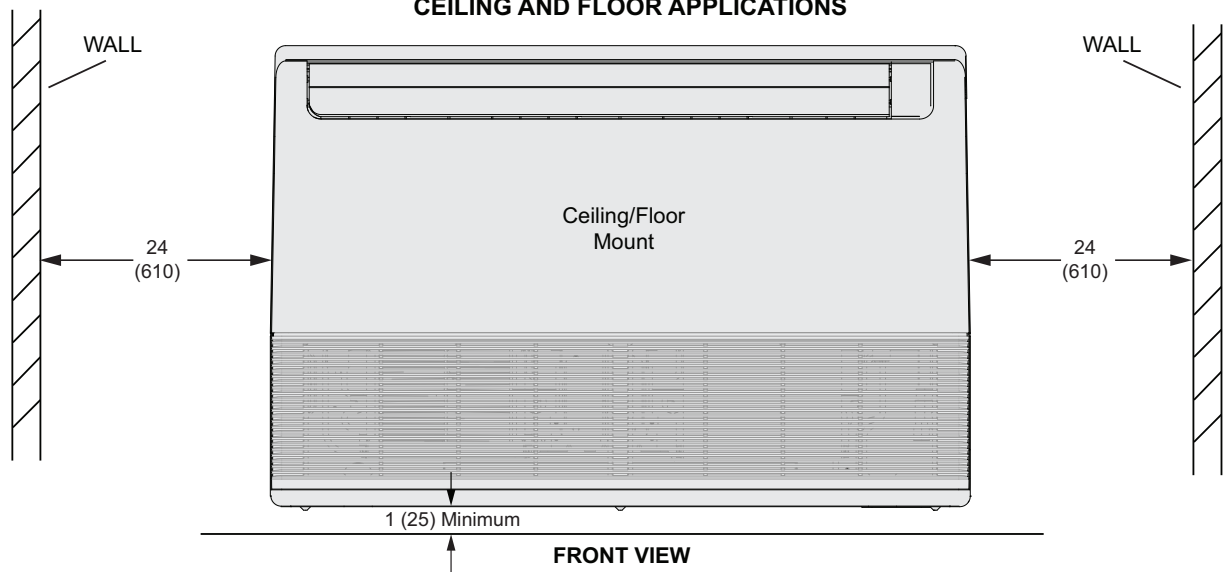


Minimum Vertical Clearances:
Minimum Clearance from Structural Ceiling to Drop Ceiling - 10-1/4 inches (260 mm)
Minimum Clearance to Floor - 98-1/2 inches (2500 mm)

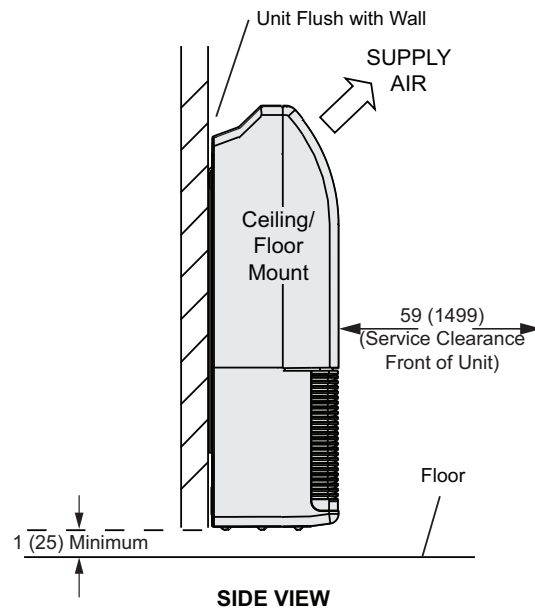
CEILING APPLICATIONS

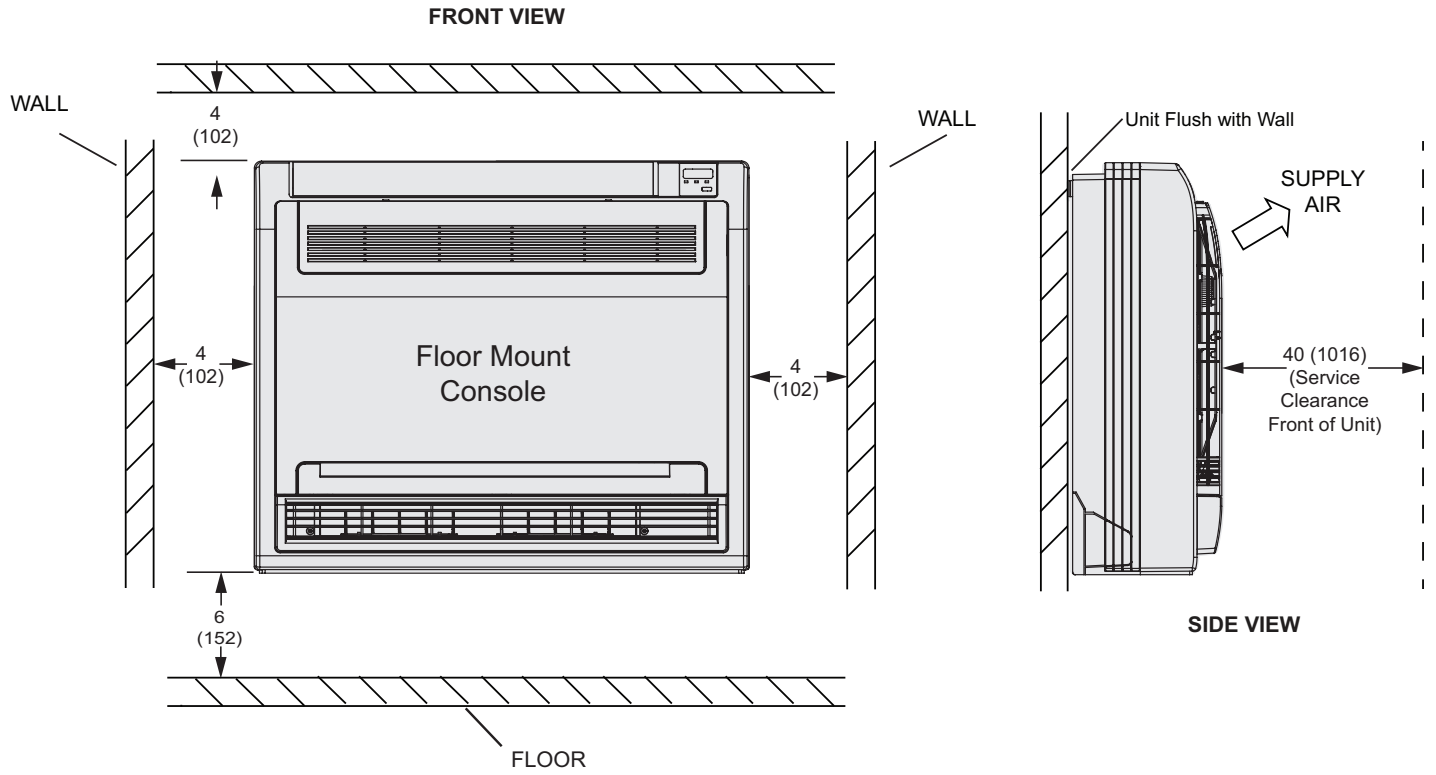


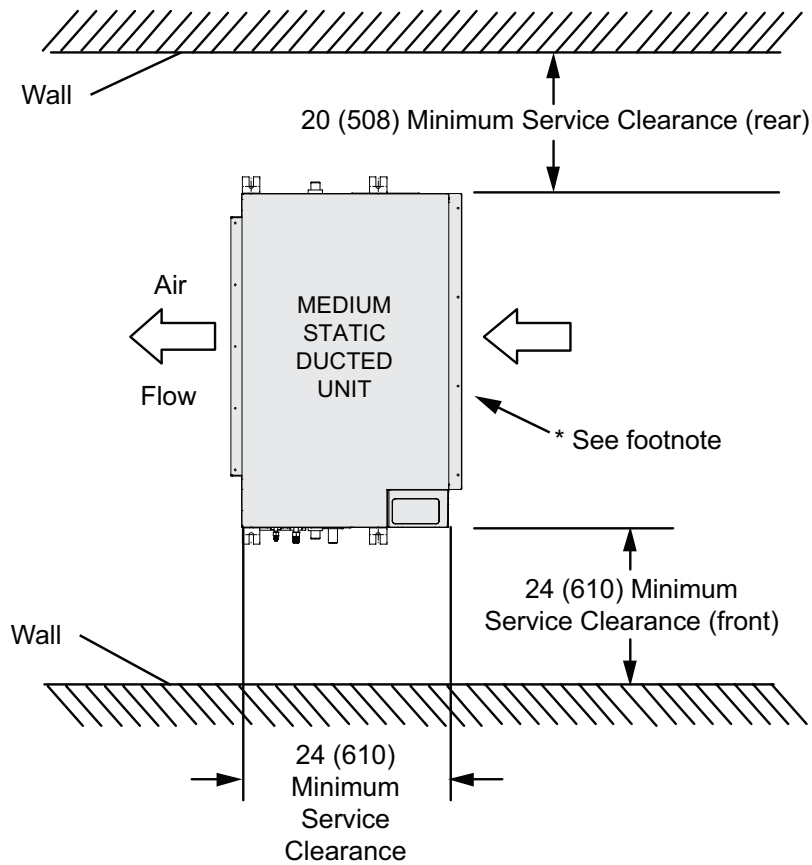
CEILING AND FLOOR APPLICATIONS



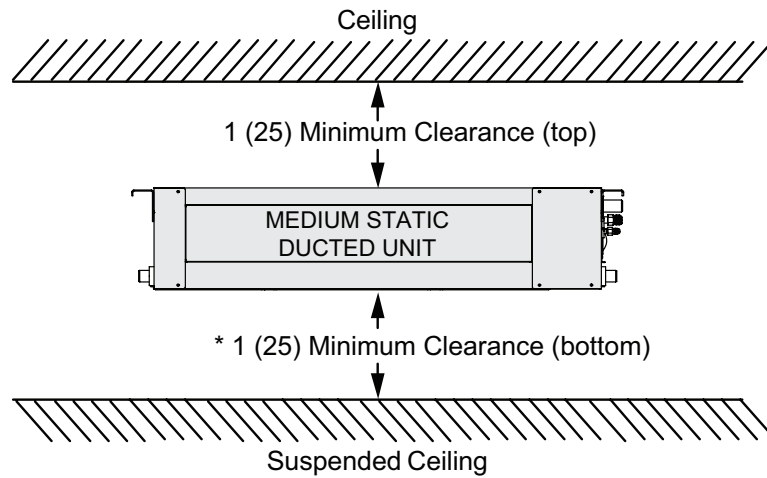
FLOOR APPLICATIONS







TOP VIEW

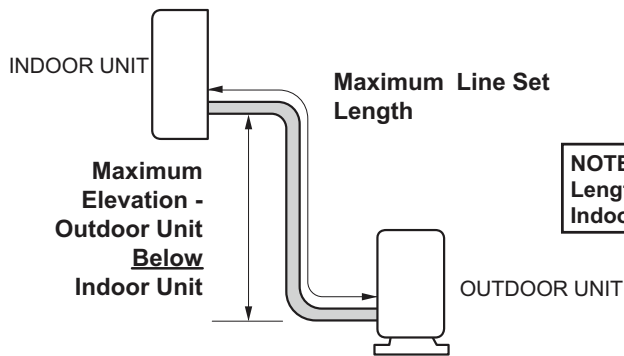


*** NOTE - Bottom unit clearance can be 1 inch (25 mm), but allow 12 inches for filter removal on end return air applications**

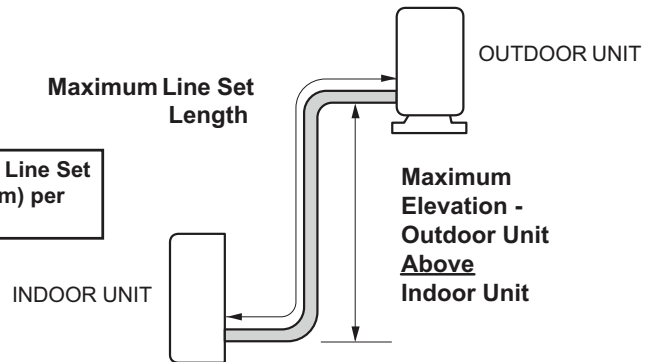
FRONT VIEW

LINE SET AND ELEVATION GUIDELINES

Outdoor Unit BELOW Indoor Unit



Outdoor Unit ABOVE Indoor Unit



Size	Line Set Diameters (in.)		Maximum Elevation - Outdoor Unit <u>Below</u> Indoor Unit ft. (m)	Maximum Elevation - Outdoor Unit <u>Above</u> Indoor Unit ft. (m)	Maximum Line Set Length ft. (m)
	Liquid	Gas			
009	1/4	3/8	66 ft. (20 m)	66 ft. (20 m)	98 ft. (30 m)
012	1/4	1/2	66 ft. (20 m)	66 ft. (20 m)	98 ft. (30 m)
018	1/4	1/2	66 ft. (20 m)	66 ft. (20 m)	98 ft. (30 m)
024	3/8	5/8	82 ft. (25 m)	82 ft. (25 m)	164 ft. (50 m)
036, 048	3/8	5/8	98 ft. (30 m)	98 ft. (30 m)	213 ft. (65 m)

REVISIONS

Sections	Description of Change
Optional Accessories	Added Hail Guards.



HRAI
✓ MEMBER COMPANY



Visit us at www.Lennox.com

For the latest technical information, www.LennoxPros.com

Contact us at 1-800-9-LENNOX

NOTE - Due to Lennox' ongoing commitment to quality, Specifications, Ratings and Dimensions subject to change without notice and without incurring liability. Improper installation, adjustment, alteration, service or maintenance can cause property damage or personal injury. Installation and service must be performed by a qualified installer and servicing agency.

©2023 Lennox Industries, Inc.