



CBK45UHET (-71)

MERIT® Series

Upflow/Horizontal | Constant Torque Motor | TXV Furnished | **R-454B** | 60Hz

RESIDENTIAL
PRODUCT SPECIFICATIONS (EHB)

2 to 5 Tons
Optional Electric Heat - 4 to 20 kW

MERIT® SERIES

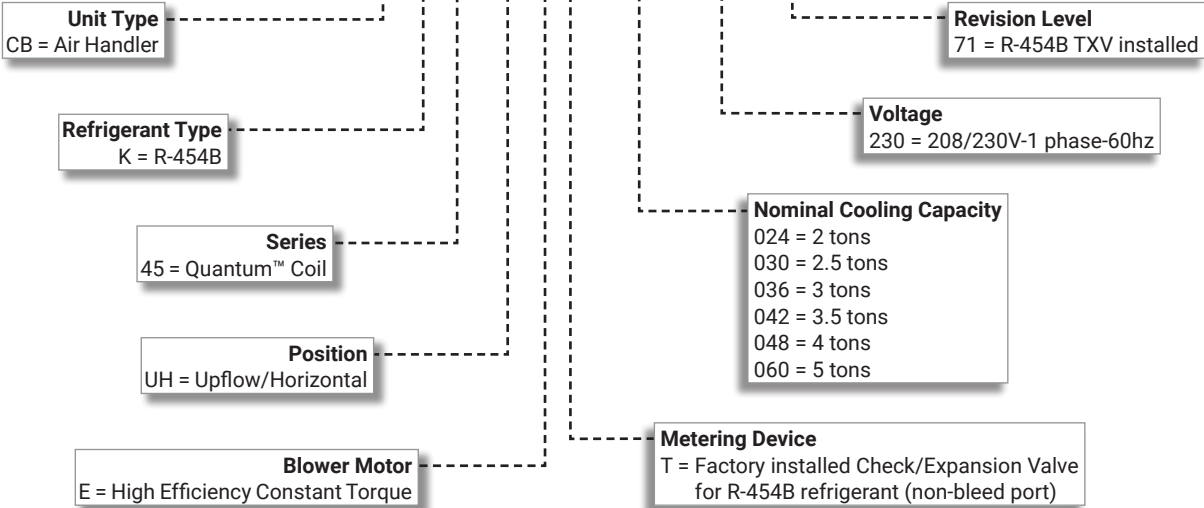


2025 COMPLIANT
REFRIGERANT



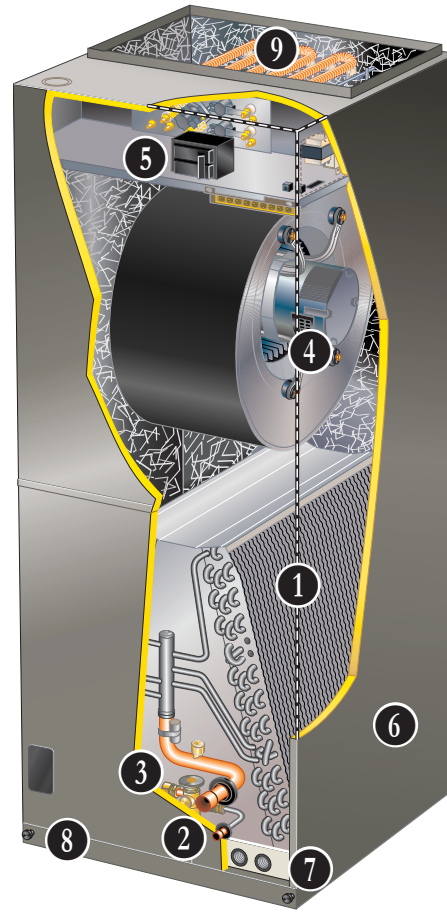
MODEL NUMBER IDENTIFICATION

CB K 45 UH E T - 036 - 230 - 71



FEATURE HIGHLIGHTS

1. Quantum™ Coil
2. Refrigerant Line Connections
3. Check and Expansion Valve
4. Power Saver™ Constant Torque Blower Motor
5. Transformer
6. Heavy Gauge Steel Cabinet
7. Anti-Microbial Dual Position Drain Pans
8. Air Filter
9. Electric Heat (option)



CONTENTS

| | |
|--|----|
| Approvals And Warranty | 3 |
| Blower Data | 8 |
| Dimensions | 15 |
| - Accessories | 17 |
| - Unit - Horizontal Position | 16 |
| - Unit - Upflow Position | 15 |
| Electrical Data | 7 |
| Electric Heat Data | 10 |
| Features | 3 |
| Installation Clearances With Electric Heat | 10 |
| Model Number Identification | 1 |
| Optional Accessories - Order Separately | 7 |
| Replacement Circuit Breakers | 10 |
| Specifications | 7 |

APPROVALS AND WARRANTY

APPROVALS

- Tested with matching air conditioners and heat pump units in the Lennox Research Laboratory environmental test room in accordance with AHRI Standard 210/240-2023
- AHRI Certified system match-ups and expanded ratings, visit www.LennoxPros.com
- ETL Listed to US and Canadian safety standards and components within are bonded for grounding to meet safety standards for servicing required by NEC and CEC
- All models meet UL 60335-2-40 Refrigerant Detector Requirements
- Optional electric heaters are ETL listed and rated in accordance with US Department of Energy (DOE) test procedures and Federal Trade Commission (FTC) labeling regulations
- Blower performance data according to unit tests conducted in Lennox air test chamber
- Approved for installation in manufactured housing and mobile homes
- ISO 9001 Registered Manufacturing Quality System

WARRANTY

- All covered components
 - Limited five years in residential applications
 - Limited one year in non-residential applications

NOTE - Refer to Lennox® Basic Limited Warranty at www.Lennox.com for additional details.

FEATURES

APPLICATIONS

- 2 to 5 ton nominal sizes
- Upflow or horizontal applications

NOTE - Downflow applications require optional conversion kit.

- Applicable to expansion valve systems in cooling applications and check and expansion valve systems in heat pump applications
- Wide-range check and expansion valve is factory installed
- Optional field installed electric heaters available in several sizes for additive heating capacity

REFRIGERANT SYSTEM

- 1 Quantum™ Coil**
 - Lennox designed and fabricated coil
 - Enhanced aluminum alloy tube/enhanced fin coil for superior corrosion resistance
 - Aluminum tubing, hairpins, distributor and header tubes.
 - Ripple-edged aluminum fins
 - Twin coil construction assembled in a "A" configuration for large surface area
 - Provides excellent heat transfer and low air resistance for maximum efficiency
 - Precise circuiting for uniform refrigerant distribution
 - Lanced fins provide maximum exposure of fin surface to air stream
 - Helical grooved tubing provides superior heat transfer
 - Coil thoroughly factory tested under high pressure to ensure leakproof construction

- 2 Refrigerant Line Connections**

- Copper refrigerant sweat connections on both liquid and suction lines for easy brazing
- Lines extend outside of the cabinet for ease of connection
- See dimension drawings for locations

Braze-Free/Press Fitting Flexibility

- Units can accommodate braze-free or press fittings for installation versatility

- 3 R-454B Check and Expansion Valve**

- For use with R-410A systems
- Wide range valve with Chatleff style fitting
- Factory installed on all models, internal to cabinet

BLOWER

- 4 Power Saver™ Constant Torque Blower Motor**

- Programmable high efficiency multi-speed blower motor
- By maintaining constant torque output, blower motor can deliver more uniform (but not constant) airflow over the static pressure range
- Programmable multi-speed operation is achieved by the use of an ECM (Electronically Commutated Motor) motor
- Leadless blower motor features simple plug-in connections
- Choice of blower speeds is available
- See blower Data tables
- Blower speed change is easily accomplished by a simple wiring change

Blower Assembly

- Each blower is statically and dynamically balanced as an assembly before installation in the unit
- Blower motor is resiliently mounted to blower assembly
- Blower slides out of cabinet for servicing

FEATURES

REFRIGERANT DETECTION SYSTEM (RDS)

- Complies with UL 60335-2-40 approved standard
- Required for all systems using R-454B refrigerant
- Consists of a factory installed Refrigerant Detection System (RDS) sensor and a Refrigerant Detection System (RDS) Blower Control Board

Refrigerant Detection System (RDS) Air Handler Sensor

- Sensor ensures safe operation for systems equipped with R-454B refrigerant
- Indoor sensor will detect any R-454B refrigerant

NOTE - Sensor must be repositioned for horizontal-right, horizontal-left, and downflow applications.

Blower Control Board

- Connected to the RDS sensor
- Used as interface between indoor unit and thermostat to control system
- Ensures safe operation for systems equipped with R-454B refrigerant
- If R-454B refrigerant is detected, the refrigerant detection system will stop compressor and/or heating operation and operate the blower to reduce concentrations in the conditioned space
- Once safe levels are reached the HVAC system will resume normal operation
- Multi-color LED for system status and as an aid in troubleshooting
 - Flashing LED codes for system status (Green/Blue) and diagnosing Sensor errors (Red)
- Alarm relay can trigger an external alarm if R-454B refrigerant is detected
- Zone relay opens all zone dampers (if part of a zoning system) if R-454B refrigerant is detected
- Power is disabled to thermostat to prevent demand if R-454B refrigerant is detected
- On system start-up blower will run for five minutes and any thermostat demands are disabled

NOTE - Refer to the Installation Instructions for additional information.

CONTROLS

5 Transformer

- 24 volt transformer furnished as standard
- Factory installed in the unit control box
- Terminal strip furnished

Optional Accessories

M30 Smart Wi-Fi Thermostat

- Wi-Fi-enabled, electronic 7-day, universal, multi-stage, programmable, touchscreen thermostat
- 4 Heat/2 Cool
- Auto-changeover
- Dual-fuel control with optional outdoor sensor
- Controls dehumidification during cooling mode and humidification during heating mode
- Offers enhanced capabilities including humidification / dehumidification / dewpoint measurement and control, Humiditrol® control, and equipment maintenance reminders
- Easy to read 4.3 in. color touchscreen (measured diagonally)
- LCD display with backlight shows the current and set temperature, time, inside relative humidity, system status (operating mode and schedules) and outside temperature (optional outdoor sensor required)
- Smooth Setback Recovery starts system early to achieve setpoint at start of program period
- Compressor short-cycle protection (5 minutes)
- Up to four separate schedules are available plus Schedule IQ™
- One-Touch Away Mode - A quick and easy way to set the cooling and heating setpoints while away
- Smart Away™ - Uses geo-fencing technology to determine when the homeowner is within a predetermined distance from the home to operate the system when leaving, away and arriving
- Wi-Fi remote monitoring and adjustment through a home wireless network for desktop PCs, laptops and apps for smartphones or tablets
- Smart home automation compatible with Amazon Alexa®, Google Assistant and IFTTT

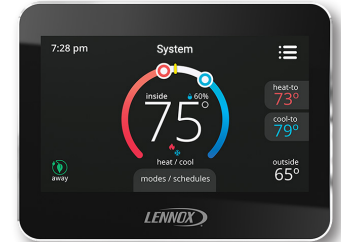
NOTE - See the Lennox® M30 Smart Wi-Fi Thermostat Product Specifications document in the Controls section for more information.

Remote Outdoor Temperature Sensor

- Used with the Lennox® M30 Smart Thermostat
- Outdoor sensor allows thermostat to display outdoor temperature

Thermostat

- Thermostat is not furnished with unit
- See Lennox Price Book or [Lennox Pros](#) for selection



FEATURES

CABINET

- 6 • Constructed of heavy gauge galvanized steel
- Pre-painted cabinet finish
- Completely insulated with foil faced fiberglass insulation
- Removable panels provide complete service access
- Filter access door for easy filter replacement
- Thumbscrews hold filter door in place
- Electrical inlets provided in sides and top of cabinet
- See dimension drawing for locations
- Plugs in cabinet for drain connections for upflow (left and right) and horizontal applications
- See dimension drawing

Low Leakage Cabinet

- All models have less than 2% air leakage and meet ANSI/ASHRAE Standard 193-2010 "Method of Test for Determining the Air Tightness of HVAC Equipment"

Upflow/Horizontal Capability (Optional Downflow)

- Shipped for upflow and horizontal right-hand discharge
- May be field converted to horizontal left-hand air discharge by repositioning horizontal drain pan
- Optional downflow kit required for field conversion

7 **Anti-Microbial Dual Position Drain Pans**

- Anti-Microbial additive resists growth of mold and mildew on drain pan which improves indoor air quality and reduces drain line blockage
- Drain pans designed for upflow or horizontal applications
- Deep, corrosion resistant high temperature engineered polymer drain pans have dual pipe drains
- See dimension drawing

Optional Accessories

Downflow Conversion Kit

- Required for field conversion to downflow position
- Kit consists of insulated downflow drain pan, insulated drain pan drip shields, coil drip shields, seal plates and support brackets for repositioning coil and drain pan

Horizontal Support Frame Kit

- Provides support of unit in horizontal applications
- Consists of (2) 1 x 1-1/2 x 32-5/8 in. and (2) 1 x 3 x 53-7/8 in. painted heavy gauge cold rolled steel support channels with assembly and suspending holes
- Bolts and nuts furnished for field assembly
- Suspending rods must be field provided

Side Return Unit Stand (Upflow Only)

- Raises unit 16 in. above floor for side return air duct connection
- Eliminates need for wooden platform construction
- All aluminum construction
- Two adjustable frames fit all sizes

Wall Hanging Bracket Kit (Upflow Only)

- Allows unit to be hung on wall at any height
- Consists of heavy-gauge steel support brackets (one for air handler, one for wall mount)
- Screws furnished for fastening one bracket to unit
- Bolts for fastening one bracket to wall are field provided

High Performance Economizer (Commercial Applications Only)

- Designed for applications requiring outdoor air to be utilized in a commercial HVAC system
- Allows the entry of fresh outdoor air for free cooling, reducing the requirement for mechanical cooling
- Heavy gauge galvanized steel cabinet lined with thick fiberglass insulation
- Mixed air sensor, outdoor air sensor and 24VAC transformer furnished
- Approved for California Title 24 building standards
- ASHRAE 90.1-2010 compliant
- See separate Product Specifications document for additional information and available control and sensor options

FILTER

- 8 • Disposable 1 inch filter is furnished
- Filter rack furnished in cabinet for easy filter installation
- See Specifications tables for filter sizes

FEATURES

OPTIONAL ELECTRIC HEAT

- 9 • ETL listed
- Field install internal to unit cabinet
- Available in several kW sizes
- See Electric Heat tables
- Helix wound nichrome heating elements exposed directly in air stream resulting in instant heat transfer, low element temperatures and long service life
- Each element equipped with accurately located limit control with fixed temperature off setting and automatic reset
- Thermal sequencer relay brings elements on and off line, in sequence and equal increments, with time delay between each
- Heating control relay(s) furnished as standard
- Factory assembled with controls installed and wired
- Electric heat control wiring plugs into mating connector on air handler unit

Circuit Breaker (CB) Models

- All "CB" model heaters are equipped with circuit breakers for overload and short circuit protection
- Factory wired and mounted on electric heat unit
- Current sensitive and temperature actuated
- Manual reset
- Flexible plastic circuit breaker cover protects circuit breaker in areas with high humidity or unconditioned areas to prevent nuisance tripping
- Circuit breakers qualify as disconnect means at unit in many areas, eliminate the need for field provided disconnect
- Consult local electrical code in your area

Optional Accessories

Single-Point Power Source Control Box

- Control Box may be used with optional electric heat when single power supply is connected to multi-circuit electric heat
- Field installs external to the unit cabinet on either side or top
- Constructed of heavy gauge steel, baked enamel finish, pre-punched mounting holes, electrical inlet knockouts, and terminal strip
- Removeable cover provides easy access
- Dimensions (H x W x D) - 7 x 7 x 4 in.

| SPECIFICATIONS | | | | |
|--|--------------------------------------|--------------|--------------|--------------|
| Size | | 024 | 030 | 036 |
| Nominal Tonnage | | 2 | 2.5 | 3 |
| Refrigerant Type | | R-454B | R-454B | R-454B |
| Factory Installed Expansion Valve (TXV) | | 26Z70 | 26Z70 | 26Z70 |
| Connections | Liquid line (OD) sweat - in. | 3/8 | 3/8 | 3/8 |
| | Suction line (OD) sweat - in. | 3/4 | 3/4 | 7/8 |
| | Condensate drain (FPT) - in. | (2) 3/4 | (2) 3/4 | (2) 3/4 |
| Indoor Coil | Net face area - ft. ² | 3.77 | 4.72 | 5.66 |
| | Tube diameter - in. | 3/8 | 3/8 | 3/8 |
| | Rows | 3 | 3 | 3 |
| | Fins - in. | 15 | 15 | 15 |
| Blower | HP | 1/2 | 1/2 | 1/2 |
| | Wheel nominal diameter x width - in. | 10 x 8 | 10 x 8 | 10 x 8 |
| | Air volume range - cfm | 203 - 1054 | 406 - 1341 | 422 - 1523 |
| ¹ Filters | Size - in. | 15 x 20 x 1 | 15 x 20 x 1 | 18 x 20 x 1 |
| Shipping Data - lbs. | | 127 | 133 | 169 |

| ELECTRICAL DATA | | | | |
|------------------------|---|--------------|--------------|--------------|
| | Line voltage data (Volts-Phase-Hz) | 208/230-1-60 | 208/230-1-60 | 208/230-1-60 |
| ² | Maximum overcurrent protection (MOCP) amps (unit) | 15 | 15 | 15 |
| ³ | Minimum circuit ampacity (MCA) (unit) | 5.1 | 5.1 | 5.1 |
| | Blower Motor Full Load Amps | 4.1 | 4.1 | 4.1 |

| SPECIFICATIONS | | | | |
|--|--------------------------------------|--------------|--------------|--------------|
| Size | | 042 | 048 | 060 |
| Nominal Tonnage | | 3.5 | 4 | 5 |
| Refrigerant Type | | R-454B | R-454B | R-454B |
| Factory Installed Expansion Valve (TXV) | | 26Z71 | 26Z71 | 26Z71 |
| Connections | Liquid line (OD) sweat - in. | 3/8 | 3/8 | 3/8 |
| | Suction line (OD) sweat - in. | 7/8 | 7/8 | 7/8 |
| | Condensate drain (FPT) - in. | (2) 3/4 | (2) 3/4 | (2) 3/4 |
| Indoor Coil | Net face area - ft. ² | 5.66 | 6.13 | 7.08 |
| | Tube diameter - in. | 3/8 | 3/8 | 3/8 |
| | Rows | 3 | 3 | 3 |
| | Fins - in. | 15 | 15 | 15 |
| Blower | HP | 3/4 | 1 | 1 |
| | Wheel nominal diameter x width - in. | 12 x 10 | 12 x 10 | 12 x 10 |
| | Air volume range - cfm | 568 - 1656 | 1110 - 1895 | 830 - 1980 |
| ¹ Filters | Size - in. | 18 x 20 x 1 | 18 x 20 x 1 | 18 x 20 x 1 |
| Shipping Data - lbs. | | 169 | 179 | 190 |

| ELECTRICAL DATA | | | | |
|------------------------|---|--------------|--------------|--------------|
| | Line voltage data (Volts-Phase-Hz) | 208/230-1-60 | 208/230-1-60 | 208/230-1-60 |
| ² | Maximum overcurrent protection (MOCP) amps (unit) | 15 | 15 | 15 |
| ³ | Minimum circuit ampacity (MCA) (unit) | 8 | 9.5 | 9.5 |
| | Blower Motor Full Load Amps | 6 | 7.6 | 7.6 |

¹ Disposable filter.

² HACR type circuit breaker or fuse.

³ Refer to National or Canadian Electrical Code manual to determine wire, fuse and disconnect size requirements. Use wires suitable for at least 167°F.

| OPTIONAL ACCESSORIES - ORDER SEPARATELY | | |
|---|--|---------------------------|
| Description | 024, 030 | 036, 042, 048, 060 |
| M30 Smart Wi-Fi Thermostat | 15Z69 | 15Z69 |
| Remote Outdoor Temperature Sensor | X2658 | X2658 |
| Downflow Conversion Kit | Y9658 | Y9659 |
| Electric Heat | See Electric Heat Data Tables on page 10 | |
| Horizontal Support Frame Kit | 56J18 | 56J18 |
| Side Return Unit Stand (Upflow Only) | 45K32 | 45K32 |
| Single-Point Power Source Control Box (for Electric Heat) | 21H39 | 21H39 |
| Wall Hanging Bracket Kit (Upflow Only) | 45K30 | 45K30 |
| High Performance Economizer (Commercial Only) | 10U53 | 10U53 |

BLOWER DATA

CBK45UHET-024 PERFORMANCE

| External Static Pressure in. w.g. | Air Volume / Watts at Various Blower Speeds | | | | | | | | | |
|--------------------------------------|---|-------|-------|-------|-------|-------|-------|-------|-------|-------|
| | Tap 1 | | Tap 2 | | Tap 3 | | Tap 4 | | Tap 5 | |
| | cfm | Watts | cfm | Watts | cfm | Watts | cfm | Watts | cfm | Watts |
| 0.10 | 676 | 64 | 820 | 107 | 1015 | 180 | 1015 | 180 | 1054 | 194 |
| 0.20 | 612 | 71 | 780 | 114 | 981 | 188 | 981 | 188 | 1020 | 203 |
| 0.30 | 514 | 77 | 752 | 120 | 953 | 195 | 953 | 195 | 987 | 212 |
| 0.40 | 448 | 83 | 712 | 126 | 922 | 204 | 922 | 204 | 958 | 219 |
| 0.50 | 400 | 86 | 678 | 133 | 899 | 210 | 899 | 210 | 940 | 226 |
| 0.60 | 337 | 92 | 598 | 142 | 865 | 219 | 865 | 219 | 902 | 235 |
| 0.70 | 270 | 100 | 535 | 147 | 831 | 224 | 831 | 224 | 881 | 241 |
| 0.80 | 203 | 103 | 495 | 153 | 799 | 237 | 799 | 237 | 833 | 248 |

NOTE - All air data measured external to unit with dry coil and 1 inch non-pleated air filter in place.
Electric heaters have no appreciable air resistance.

CBK45UHET-030 PERFORMANCE

| External Static Pressure in. w.g. | Air Volume / Watts at Various Blower Speeds | | | | | | | | | |
|--------------------------------------|---|-------|-------|-------|-------|-------|-------|-------|-------|-------|
| | Tap 1 | | Tap 2 | | Tap 3 | | Tap 4 | | Tap 5 | |
| | cfm | Watts | cfm | Watts | cfm | Watts | cfm | Watts | cfm | Watts |
| 0.10 | 775 | 87 | 999 | 160 | 1132 | 219 | 1132 | 219 | 1341 | 346 |
| 0.20 | 731 | 94 | 965 | 168 | 1099 | 229 | 1099 | 229 | 1309 | 357 |
| 0.30 | 690 | 100 | 936 | 175 | 1068 | 237 | 1068 | 237 | 1289 | 364 |
| 0.40 | 647 | 106 | 899 | 184 | 1041 | 245 | 1041 | 245 | 1259 | 376 |
| 0.50 | 565 | 115 | 870 | 191 | 1014 | 254 | 1014 | 254 | 1239 | 385 |
| 0.60 | 522 | 118 | 833 | 197 | 985 | 261 | 985 | 261 | 1197 | 389 |
| 0.70 | 474 | 125 | 797 | 208 | 957 | 269 | 957 | 269 | 1168 | 395 |
| 0.80 | 406 | 132 | 715 | 218 | 928 | 278 | 928 | 278 | 1139 | 403 |

NOTE - All air data measured external to unit with dry coil and 1 inch non-pleated air filter in place.
Electric heaters have no appreciable air resistance.

CBK45UHET-036 PERFORMANCE

| External Static Pressure in. w.g. | Air Volume / Watts at Various Blower Speeds | | | | | | | | | |
|--------------------------------------|---|-------|-------|-------|-------|-------|-------|-------|-------|-------|
| | Tap 1 | | Tap 2 | | Tap 3 | | Tap 4 | | Tap 5 | |
| | cfm | Watts | cfm | Watts | cfm | Watts | cfm | Watts | cfm | Watts |
| 0.10 | 865 | 94 | 1303 | 250 | 1415 | 312 | 1415 | 312 | 1523 | 386 |
| 0.20 | 812 | 104 | 1268 | 261 | 1381 | 325 | 1381 | 325 | 1492 | 399 |
| 0.30 | 747 | 113 | 1234 | 271 | 1352 | 336 | 1352 | 336 | 1462 | 411 |
| 0.40 | 674 | 119 | 1199 | 283 | 1316 | 348 | 1316 | 348 | 1434 | 423 |
| 0.50 | 620 | 125 | 1153 | 295 | 1285 | 360 | 1285 | 360 | 1403 | 434 |
| 0.60 | 565 | 131 | 1117 | 306 | 1238 | 377 | 1238 | 377 | 1363 | 452 |
| 0.70 | 484 | 138 | 1047 | 323 | 1202 | 386 | 1202 | 386 | 1315 | 456 |
| 0.80 | 422 | 144 | 1004 | 326 | 1134 | 396 | 1134 | 396 | 1281 | 467 |

NOTE - All air data measured external to unit with dry coil and 1 inch non-pleated air filter in place.
Electric heaters have no appreciable air resistance.

BLOWER DATA

CBK45UHET-042 PERFORMANCE

| External Static Pressure in. w.g. | Air Volume / Watts at Various Blower Speeds | | | | | | | | | |
|-----------------------------------|---|-------|-------|-------|-------|-------|-------|-------|-------|-------|
| | Tap 1 | | Tap 2 | | Tap 3 | | Tap 4 | | Tap 5 | |
| | cfm | Watts | cfm | Watts | cfm | Watts | cfm | Watts | cfm | Watts |
| 0.10 | 982 | 132 | 1446 | 390 | 1560 | 473 | 1560 | 473 | 1656 | 569 |
| 0.20 | 923 | 140 | 1413 | 402 | 1526 | 488 | 1526 | 488 | 1624 | 581 |
| 0.30 | 866 | 148 | 1362 | 411 | 1500 | 498 | 1500 | 498 | 1594 | 591 |
| 0.40 | 812 | 153 | 1357 | 420 | 1469 | 510 | 1469 | 510 | 1563 | 602 |
| 0.50 | 745 | 162 | 1325 | 429 | 1437 | 520 | 1437 | 520 | 1543 | 613 |
| 0.60 | 686 | 169 | 1292 | 438 | 1413 | 530 | 1413 | 530 | 1505 | 615 |
| 0.70 | 642 | 176 | 1257 | 448 | 1345 | 543 | 1345 | 543 | 1456 | 613 |
| 0.80 | 568 | 185 | 1221 | 458 | 1335 | 544 | 1335 | 544 | 1417 | 612 |

NOTE - All air data measured external to unit with dry coil and 1 inch non-pleated air filter in place.
Electric heaters have no appreciable air resistance.

CBK45UHET-048 PERFORMANCE

| External Static Pressure in. w.g. | Air Volume / Watts at Various Blower Speeds | | | | | | | | | |
|-----------------------------------|---|-------|-------|-------|-------|-------|-------|-------|-------|-------|
| | Tap 1 | | Tap 2 | | Tap 3 | | Tap 4 | | Tap 5 | |
| | cfm | Watts | cfm | Watts | cfm | Watts | cfm | Watts | cfm | Watts |
| 0.10 | 1277 | 187 | 1524 | 279 | 1733 | 395 | 1773 | 426 | 1899 | 512 |
| 0.20 | 1234 | 197 | 1480 | 295 | 1697 | 410 | 1741 | 443 | 1867 | 530 |
| 0.30 | 1190 | 208 | 1442 | 307 | 1661 | 424 | 1704 | 460 | 1837 | 544 |
| 0.40 | 1145 | 217 | 1400 | 321 | 1629 | 437 | 1678 | 472 | 1806 | 559 |
| 0.50 | 1099 | 229 | 1348 | 332 | 1597 | 449 | 1645 | 486 | 1775 | 574 |
| 0.60 | 1011 | 243 | 1323 | 344 | 1552 | 466 | 1612 | 500 | 1745 | 588 |
| 0.70 | 934 | 252 | 1284 | 356 | 1519 | 478 | 1577 | 514 | 1710 | 604 |
| 0.80 | 896 | 258 | 1212 | 372 | 1482 | 491 | 1546 | 525 | 1680 | 616 |
| 0.90 | 845 | 272 | 1129 | 385 | 1451 | 502 | 1509 | 539 | 1644 | 632 |

NOTE - All air data measured external to unit with dry coil and 1 inch non-pleated air filter in place.
Electric heaters have no appreciable air resistance.

CBK45UHET-060 PERFORMANCE

| External Static Pressure in. w.g. | Air Volume / Watts at Various Blower Speeds | | | | | | | | | |
|-----------------------------------|---|-------|-------|-------|-------|-------|-------|-------|-------|-------|
| | Tap 1 | | Tap 2 | | Tap 3 | | Tap 4 | | Tap 5 | |
| | cfm | Watts | cfm | Watts | cfm | Watts | cfm | Watts | cfm | Watts |
| 0.10 | 1147 | 144 | 1673 | 387 | 1826 | 496 | 1903 | 553 | 2010 | 630 |
| 0.20 | 1085 | 155 | 1630 | 402 | 1791 | 512 | 1876 | 566 | 1976 | 642 |
| 0.30 | 1035 | 164 | 1596 | 415 | 1762 | 525 | 1843 | 583 | 1947 | 656 |
| 0.40 | 1006 | 171 | 1563 | 428 | 1732 | 538 | 1815 | 596 | 1912 | 672 |
| 0.50 | 954 | 180 | 1526 | 443 | 1704 | 551 | 1782 | 613 | 1883 | 683 |
| 0.60 | 825 | 194 | 1495 | 455 | 1669 | 567 | 1750 | 627 | 1851 | 701 |
| 0.70 | 783 | 199 | 1464 | 467 | 1637 | 582 | 1722 | 641 | 1821 | 715 |
| 0.80 | 739 | 208 | 1436 | 477 | 1602 | 597 | 1691 | 655 | 1776 | 717 |
| 0.90 | 687 | 219 | 1406 | 488 | 1583 | 604 | 1643 | 656 | 1745 | 722 |

NOTE - All air data measured external to unit with dry coil and 1 inch non-pleated air filter in place.
Electric heaters have no appreciable air resistance.

INSTALLATION CLEARANCES WITH ELECTRIC HEAT

| | |
|-----------------------|---------------|
| Cabinet | 0 inch (0 mm) |
| To Plenum | 0 inch (0 mm) |
| To Outlet Duct | 0 inch (0 mm) |
| Floor | 0 inch (0 mm) |
| Service / Maintenance | See Note #1 |

¹ Front service access - 24 inches (610 mm) minimum.

NOTE - If cabinet depth is more than 24 inches (610 mm), allow a minimum of the cabinet depth plus 2 inches (51 mm).

REPLACEMENT CIRCUIT BREAKERS

| Voltage | Description | Order Number |
|--------------------|----------------|--------------|
| 208/240V - 1 Phase | 25 amp, 2 pole | 41K13 |
| | 30 amp, 2 pole | 17K70 |
| | 35 amp, 2 pole | 72K07 |
| | 40 amp, 2 pole | 49K14 |
| | 45 amp, 2 pole | 17K71 |
| | 50 amp, 2 pole | 41K12 |
| | 60 amp, 2 pole | 17K72 |

ELECTRIC HEAT DATA

CBK45UHET-024 | SINGLE PHASE

| | Electric Heat Model Number | Input | | | Blower Motor Full Load Amps | ² Minimum Circuit Ampacity | ³ Maximum Overcurrent Protection |
|---------------|---|-------|-----|-------------------|-----------------------------|---------------------------------------|---|
| | | Volt | kW | ¹ Btuh | | | |
| 4 kW | ECB45-4 (27A08) Terminal Block ECB45-4CB (27A12) 30A Circuit Breaker | 208 | 3.0 | 10,250 | 4.1 | 23 | ⁴ 25 |
| | | 220 | 3.4 | 11,450 | 4.1 | 24 | ⁴ 25 |
| | | 230 | 3.7 | 12,550 | 4.1 | 25 | ⁴ 25 |
| | | 240 | 4.0 | 13,650 | 4.1 | 26 | 30 |
| 5 kW | ECB45-5 (27A09) Terminal Block ECB45-5CB (27A13) 30A Circuit Breaker | 208 | 3.6 | 12,300 | 4.1 | 27 | 30 |
| | | 220 | 4.0 | 13,800 | 4.1 | 28 | 30 |
| | | 230 | 4.4 | 15,000 | 4.1 | 29 | 30 |
| | | 240 | 4.8 | 16,400 | 4.1 | 30 | 30 |
| 7.5 kW | ECB45-7.5 (27A10) Terminal Block ECB45-7.5CB (27A14) 45A Circuit Breaker | 208 | 5.6 | 19,200 | 4.1 | 39 | ⁴ 40 |
| | | 220 | 6.3 | 21,500 | 4.1 | 41 | 45 |
| | | 230 | 6.9 | 23,500 | 4.1 | 43 | 45 |
| | | 240 | 7.5 | 25,600 | 4.1 | 44 | 45 |
| 10 kW | ECB45-10 (27A11) Terminal Block ECB45-10CB (27A15) 60A Circuit Breaker | 208 | 7.2 | 24,600 | 4.1 | 48 | ⁴ 50 |
| | | 220 | 8.0 | 27,500 | 4.1 | 51 | 60 |
| | | 230 | 8.8 | 30,000 | 4.1 | 53 | 60 |
| | | 240 | 9.6 | 32,700 | 4.1 | 55 | 60 |

NOTE - Circuit 1 Minimum Circuit Ampacity includes the Blower Motor Full Load Amps.

¹ Electric heater capacity only - does not include additional blower motor heat capacity.

² Refer to National or Canadian Electrical Code manual to determine wire, fuse and disconnect size requirements. Use wires suitable for at least 167°F.

³ HACR type breaker or fuse.

⁴ **Bold indicates that the circuit breaker on "CB" circuit breaker models must be replaced with size shown. See table on page 10.**

ELECTRIC HEAT DATA

CBK45UHET-030 | SINGLE PHASE

| | Electric Heat Model Number | Input | | | Blower Motor Full Load Amps | ² Minimum Circuit Ampacity | | ³ Maximum Overcurrent Protection | | Single Point Power Source | |
|----------------|--|-------|------|-------------------|-----------------------------|---------------------------------------|-------|---|------------|---------------------------------------|---|
| | | Volt | kW | ¹ Btuh | | Ckt 1 | Ckt 2 | Ckt 1 | Ckt 2 | ² Minimum Circuit Ampacity | ³ Maximum Overcurrent Protection |
| 4 kW | ECB45-4 (27A08) Terminal Block | 208 | 3.0 | 10,250 | 4.1 | 23 | --- | 425 | --- | --- | --- |
| | ECB45-4CB (27A12) 30A Circuit Breaker | 220 | 3.4 | 11,450 | 4.1 | 24 | --- | 425 | --- | --- | --- |
| | | 230 | 3.7 | 12,550 | 4.1 | 25 | --- | 425 | --- | --- | --- |
| | | 240 | 4.0 | 13,650 | 4.1 | 26 | --- | 30 | --- | --- | --- |
| 5 kW | ECB45-5 (27A09) Terminal Block | 208 | 3.6 | 12,300 | 4.1 | 27 | --- | 30 | --- | --- | --- |
| | ECB45-5CB (27A13) 30A Circuit Breaker | 220 | 4.0 | 13,800 | 4.1 | 28 | --- | 30 | --- | --- | --- |
| | | 230 | 4.4 | 15,000 | 4.1 | 29 | --- | 30 | --- | --- | --- |
| | | 240 | 4.8 | 16,400 | 4.1 | 30 | --- | 30 | --- | --- | --- |
| 7.5 kW | ECB45-7.5 (27A10) Terminal Block | 208 | 5.6 | 19,200 | 4.1 | 39 | --- | 440 | --- | --- | --- |
| | ECB45-7.5CB (27A14) 45A Circuit Breaker | 220 | 6.3 | 21,500 | 4.1 | 41 | --- | 45 | --- | --- | --- |
| | | 230 | 6.9 | 23,500 | 4.1 | 43 | --- | 45 | --- | --- | --- |
| | | 240 | 7.5 | 25,600 | 4.1 | 44 | --- | 45 | --- | --- | --- |
| 10 kW | ECB45-10 (27A11) Terminal Block | 208 | 7.2 | 24,600 | 4.1 | 48 | --- | 450 | --- | --- | --- |
| | ECB45-10CB (27A15) 60A Circuit Breaker | 220 | 8.0 | 27,500 | 4.1 | 51 | --- | 60 | --- | --- | --- |
| | | 230 | 8.8 | 30,000 | 4.1 | 53 | --- | 60 | --- | --- | --- |
| | | 240 | 9.6 | 32,700 | 4.1 | 55 | --- | 60 | --- | --- | --- |
| 12.5 kW | ECB45-12.5CB (27A16) (1) 50A and (1) 25A Circuit Breaker | 208 | 9.4 | 32,000 | 4.1 | 43 | 19 | 445 | 420 | 62 | 70 |
| | | 220 | 10.5 | 35,800 | 4.1 | 45 | 20 | 445 | 420 | 65 | 70 |
| | | 230 | 11.5 | 39,200 | 4.1 | 47 | 21 | 50 | 25 | 68 | 70 |
| | | 240 | 12.5 | 42,600 | 4.1 | 49 | 22 | 50 | 25 | 70 | 70 |
| 15 kW | ECB45-15CB (27A17) (1) 60A and (1) 25A Circuit Breaker | 208 | 10.8 | 36,900 | 4.1 | 48 | 22 | 450 | 25 | 70 | 70 |
| | | 220 | 12.1 | 41,300 | 4.1 | 51 | 23 | 60 | 25 | 74 | 80 |
| | | 230 | 13.2 | 45,100 | 4.1 | 53 | 24 | 60 | 25 | 77 | 80 |
| | | 240 | 14.4 | 49,100 | 4.1 | 55 | 25 | 60 | 25 | 80 | 80 |

NOTE - Circuit 1 Minimum Circuit Ampacity includes the Blower Motor Full Load Amps.

¹ Electric heater capacity only - does not include additional blower motor heat capacity.

² Refer to National or Canadian Electrical Code manual to determine wire, fuse and disconnect size requirements. Use wires suitable for at least 167°F.

³ HACR type breaker or fuse.

⁴ Bold indicates that the circuit breaker on "CB" circuit breaker models must be replaced with size shown. See table on page 10.

ELECTRIC HEAT DATA

CBK45UHET-036 | SINGLE PHASE

| Electric Heat Model Number | Input | | | Blower Motor Full Load Amps | ² Minimum Circuit Ampacity | | ³ Maximum Overcurrent Protection | | Single Point Power Source | |
|--|-------|------|-------------------|-----------------------------|---------------------------------------|-------|---|------------|---------------------------------------|---|
| | Volt | kW | ¹ Btuh | | Ckt 1 | Ckt 2 | Ckt 1 | Ckt 2 | ² Minimum Circuit Ampacity | ³ Maximum Overcurrent Protection |
| 4 kW ECB45-4 (27A08) Terminal Block ECB45-4CB (27A12) 30A Circuit Breaker | 208 | 3.0 | 10,250 | 4.1 | 23 | --- | 425 | --- | --- | --- |
| | 220 | 3.4 | 11,450 | 4.1 | 24 | --- | 425 | --- | --- | --- |
| | 230 | 3.7 | 12,550 | 4.1 | 25 | --- | 425 | --- | --- | --- |
| | 240 | 4.0 | 13,650 | 4.1 | 26 | --- | 30 | --- | --- | --- |
| 5 kW ECB45-5 (27A09) Terminal Block ECB45-5CB (27A13) 30A Circuit Breaker | 208 | 3.6 | 12,300 | 4.1 | 27 | --- | 30 | --- | --- | --- |
| | 220 | 4.0 | 13,800 | 4.1 | 28 | --- | 30 | --- | --- | --- |
| | 230 | 4.4 | 15,000 | 4.1 | 29 | --- | 30 | --- | --- | --- |
| | 240 | 4.8 | 16,400 | 4.1 | 30 | --- | 30 | --- | --- | --- |
| 7.5 kW ECB45-7.5 (27A10) Terminal Block ECB45-7.5CB (27A14) 45A Circuit Breaker | 208 | 5.6 | 19,200 | 4.1 | 39 | --- | 440 | --- | --- | --- |
| | 220 | 6.3 | 21,500 | 4.1 | 41 | --- | 45 | --- | --- | --- |
| | 230 | 6.9 | 23,500 | 4.1 | 43 | --- | 45 | --- | --- | --- |
| | 240 | 7.5 | 25,600 | 4.1 | 44 | --- | 45 | --- | --- | --- |
| 10 kW ECB45-10 (27A11) Terminal Block ECB45-10CB (27A15) 60A Circuit Breaker | 208 | 7.2 | 24,600 | 4.1 | 48 | --- | 450 | --- | --- | --- |
| | 220 | 8.0 | 27,500 | 4.1 | 51 | --- | 60 | --- | --- | --- |
| | 230 | 8.8 | 30,000 | 4.1 | 53 | --- | 60 | --- | --- | --- |
| | 240 | 9.6 | 32,700 | 4.1 | 55 | --- | 60 | --- | --- | --- |
| 12.5 kW ECB45-12.5CB (27A16) (1) 50A and (1) 25A Circuit Breaker | 208 | 9.4 | 32,000 | 4.1 | 43 | 19 | 445 | 420 | 62 | 70 |
| | 220 | 10.5 | 35,800 | 4.1 | 45 | 20 | 445 | 420 | 65 | 70 |
| | 230 | 11.5 | 39,200 | 4.1 | 47 | 21 | 50 | 25 | 68 | 70 |
| | 240 | 12.5 | 42,600 | 4.1 | 49 | 22 | 50 | 25 | 70 | 70 |
| 15 kW ECB45-15CB (27A17) (1) 60A and (1) 25A Circuit Breaker | 208 | 10.8 | 36,900 | 4.1 | 48 | 22 | 450 | 25 | 70 | 70 |
| | 220 | 12.1 | 41,300 | 4.1 | 51 | 23 | 60 | 25 | 74 | 80 |
| | 230 | 13.2 | 45,100 | 4.1 | 53 | 24 | 60 | 25 | 77 | 80 |
| | 240 | 14.4 | 49,100 | 4.1 | 55 | 25 | 60 | 25 | 80 | 80 |

NOTE - Circuit 1 Minimum Circuit Ampacity includes the Blower Motor Full Load Amps.

¹ Electric heater capacity only - does not include additional blower motor heat capacity.

² Refer to National or Canadian Electrical Code manual to determine wire, fuse and disconnect size requirements. Use wires suitable for at least 167°F.

³ HACR type breaker or fuse.

⁴ Bold indicates that the circuit breaker on "CB" circuit breaker models must be replaced with size shown. See table on page 10.

ELECTRIC HEAT DATA

CBK45UHET-042 | SINGLE PHASE

| Electric Heat Model Number | Input | | | Blower Motor Full Load Amps | ² Minimum Circuit Ampacity | | ³ Maximum Overcurrent Protection | | Single Point Power Source | |
|---|-------|------|-------------------|-----------------------------|---------------------------------------|-------|---|-----------|---------------------------------------|---|
| | Volt | kW | ¹ Btuh | | Ckt 1 | Ckt 2 | Ckt 1 | Ckt 2 | ² Minimum Circuit Ampacity | ³ Maximum Overcurrent Protection |
| 4 kW ECB45-4 (27A08) Terminal Block ECB45-4CB (27A12) 30A Circuit Breaker | 208 | 3.0 | 10,250 | 6.0 | 26 | --- | 30 | --- | --- | --- |
| | 220 | 3.4 | 11,450 | 6.0 | 27 | --- | 30 | --- | --- | --- |
| | 230 | 3.7 | 12,550 | 6.0 | 27 | --- | 30 | --- | --- | --- |
| | 240 | 4.0 | 13,650 | 6.0 | 28 | --- | 30 | --- | --- | --- |
| 5 kW ECB45-5 (27A09) Terminal Block ECB45-5CB (27A13) 30A Circuit Breaker | 208 | 3.6 | 12,300 | 6.0 | 29 | --- | 30 | --- | --- | --- |
| | 220 | 4.0 | 13,800 | 6.0 | 30 | --- | 30 | --- | --- | --- |
| | 230 | 4.4 | 15,000 | 6.0 | 31 | --- | 35 | --- | --- | --- |
| | 240 | 4.8 | 16,400 | 6.0 | 33 | --- | 35 | --- | --- | --- |
| 7.5 kW ECB45-7.5 (27A10) Terminal Block ECB45-7.5CB (27A14) 45A Circuit Breaker | 208 | 5.6 | 19,200 | 6.0 | 41 | --- | 45 | --- | --- | --- |
| | 220 | 6.3 | 21,500 | 6.0 | 43 | --- | 45 | --- | --- | --- |
| | 230 | 6.9 | 23,500 | 6.0 | 45 | --- | 45 | --- | --- | --- |
| | 240 | 7.5 | 25,600 | 6.0 | 47 | --- | 50 | --- | --- | --- |
| 10 kW ECB45-10 (27A11) Terminal Block ECB45-10CB (27A15) 60A Circuit Breaker | 208 | 7.2 | 24,600 | 6.0 | 51 | --- | 60 | --- | --- | --- |
| | 220 | 8.0 | 27,500 | 6.0 | 53 | --- | 60 | --- | --- | --- |
| | 230 | 8.8 | 30,000 | 6.0 | 55 | --- | 60 | --- | --- | --- |
| | 240 | 9.6 | 32,700 | 6.0 | 58 | --- | 60 | --- | --- | --- |
| 12.5 kW ECB45-12.5CB (27A16) (1) 50A and (1) 25A Circuit Breaker | 208 | 9.4 | 32,000 | 6.0 | 45 | 19 | 45 | 20 | 64 | 70 |
| | 220 | 10.5 | 35,800 | 6.0 | 47 | 20 | 50 | 20 | 67 | 70 |
| | 230 | 11.5 | 39,200 | 6.0 | 49 | 21 | 50 | 25 | 70 | 70 |
| | 240 | 12.5 | 42,600 | 6.0 | 51 | 22 | 60 | 25 | 73 | 80 |
| 15 kW ECB45-15CB (27A17) (1) 60A and (1) 25A Circuit Breaker | 208 | 10.8 | 36,900 | 6.0 | 51 | 22 | 60 | 25 | 73 | 80 |
| | 220 | 12.1 | 41,300 | 6.0 | 53 | 23 | 60 | 25 | 76 | 80 |
| | 230 | 13.2 | 45,100 | 6.0 | 55 | 24 | 60 | 25 | 79 | 80 |
| | 240 | 14.4 | 49,100 | 6.0 | 58 | 25 | 60 | 25 | 83 | 90 |

NOTE - Circuit 1 Minimum Circuit Ampacity includes the Blower Motor Full Load Amps.

¹ Electric heater capacity only - does not include additional blower motor heat capacity.

² Refer to National or Canadian Electrical Code manual to determine wire, fuse and disconnect size requirements. Use wires suitable for at least 167°F.

³ HACR type breaker or fuse.

⁴ **Bold indicates that the circuit breaker on "CB" circuit breaker models must be replaced with size shown. See table on page 10.**

ELECTRIC HEAT DATA

CBK45UHET-048 | CBK45UHET-060 | SINGLE PHASE

| Electric Heat Model Number | Input | | | Blower Motor Full Load Amps | ² Minimum Circuit Ampacity | | ³ Maximum Overcurrent Protection | | Single Point Power Source | |
|--|-------|------|-------------------|-----------------------------|---------------------------------------|-------|---|------------|---------------------------------------|---|
| | Volt | kW | ¹ Btuh | | Ckt 1 | Ckt 2 | Ckt 1 | Ckt 2 | ² Minimum Circuit Ampacity | ³ Maximum Overcurrent Protection |
| 4 kW ECB45-4 (27A08) Terminal Block ECB45-4CB (27A12) 30A Circuit Breaker | 208 | 3.0 | 10,250 | 7.6 | 28 | --- | 30 | --- | --- | --- |
| | 220 | 3.4 | 11,450 | 7.6 | 29 | --- | 30 | --- | --- | --- |
| | 230 | 3.7 | 12,550 | 7.6 | 29 | --- | 30 | --- | --- | --- |
| | 240 | 4.0 | 13,650 | 7.6 | 30 | --- | 30 | --- | --- | --- |
| 5 kW ECB45-5 (27A09) Terminal Block ECB45-5CB (27A13) 30A Circuit Breaker | 208 | 3.6 | 12,300 | 7.6 | 31 | --- | 435 | --- | --- | --- |
| | 220 | 4.0 | 13,800 | 7.6 | 32 | --- | 435 | --- | --- | --- |
| | 230 | 4.4 | 15,000 | 7.6 | 33 | --- | 435 | --- | --- | --- |
| | 240 | 4.8 | 16,400 | 7.6 | 35 | --- | 435 | --- | --- | --- |
| 7.5 kW ECB45-7.5 (27A10) Terminal Block ECB45-7.5CB (27A14) 45A Circuit Breaker | 208 | 5.6 | 19,200 | 7.6 | 43 | --- | 45 | --- | --- | --- |
| | 220 | 6.3 | 21,500 | 7.6 | 45 | --- | 45 | --- | --- | --- |
| | 230 | 6.9 | 23,500 | 7.6 | 47 | --- | 450 | --- | --- | --- |
| | 240 | 7.5 | 25,600 | 7.6 | 49 | --- | 450 | --- | --- | --- |
| 10 kW ECB45-10 (27A11) Terminal Block ECB45-10CB (27A15) 60A Circuit Breaker | 208 | 7.2 | 24,600 | 7.6 | 53 | --- | 60 | --- | --- | --- |
| | 220 | 8.0 | 27,500 | 7.6 | 55 | --- | 60 | --- | --- | --- |
| | 230 | 8.8 | 30,000 | 7.6 | 57 | --- | 60 | --- | --- | --- |
| | 240 | 9.6 | 32,700 | 7.6 | 60 | --- | 60 | --- | --- | --- |
| 12.5 kW ECB45-12.5CB (27A16) (1) 50A and (1) 25A Circuit Breaker | 208 | 9.4 | 32,000 | 7.6 | 47 | 19 | 50 | 420 | 66 | 70 |
| | 220 | 10.5 | 35,800 | 7.6 | 49 | 20 | 50 | 420 | 69 | 70 |
| | 230 | 11.5 | 39,200 | 7.6 | 51 | 21 | 460 | 25 | 72 | 80 |
| | 240 | 12.5 | 42,600 | 7.6 | 53 | 22 | 460 | 25 | 75 | 80 |
| 15 kW ECB45-15CB (27A17) (1) 60A and (1) 25A Circuit Breaker | 208 | 10.8 | 36,900 | 7.6 | 53 | 22 | 60 | 25 | 75 | 80 |
| | 220 | 12.1 | 41,300 | 7.6 | 55 | 23 | 60 | 25 | 78 | 80 |
| | 230 | 13.2 | 45,100 | 7.6 | 57 | 24 | 60 | 25 | 81 | 90 |
| | 240 | 14.4 | 49,100 | 7.6 | 60 | 25 | 60 | 25 | 85 | 90 |
| 20 kW ECB45-20CB (27A18) (1) 60A and (1) 50A Circuit Breaker | 208 | 14.4 | 49,200 | 7.6 | 53 | 43 | 60 | 445 | 96 | 100 |
| | 220 | 16.1 | 55,000 | 7.6 | 55 | 46 | 60 | 50 | 101 | 110 |
| | 230 | 17.6 | 60,100 | 7.6 | 57 | 48 | 60 | 50 | 105 | 110 |
| | 240 | 19.2 | 65,500 | 7.6 | 60 | 50 | 60 | 50 | 110 | 110 |

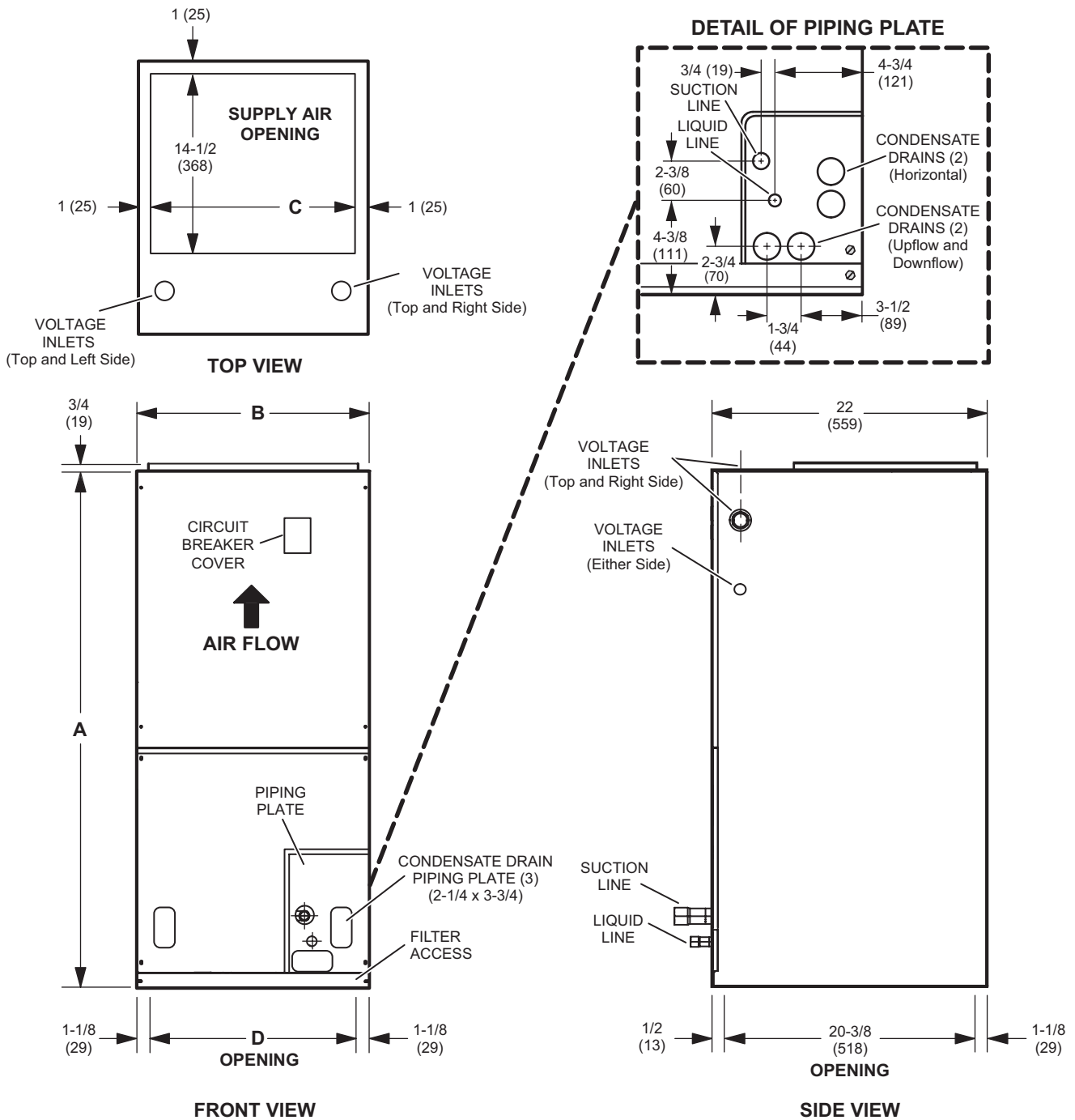
NOTE - Circuit 1 Minimum Circuit Ampacity includes the Blower Motor Full Load Amps.

¹ Electric heater capacity only - does not include additional blower motor heat capacity.

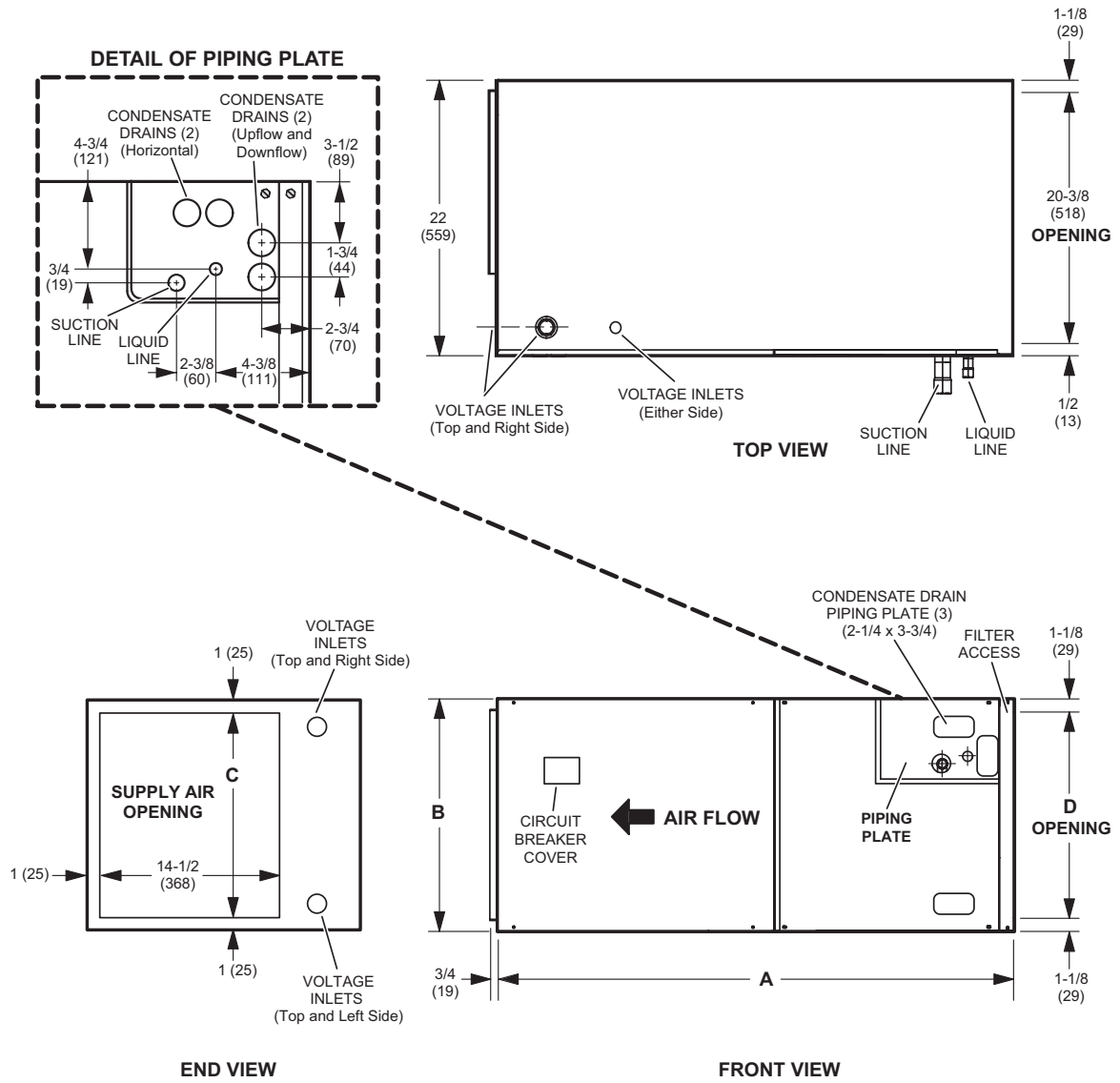
² Refer to National or Canadian Electrical Code manual to determine wire, fuse and disconnect size requirements. Use wires suitable for at least 167°F.

³ HACR type breaker or fuse.

⁴ Bold indicates that the circuit breaker on "CB" circuit breaker models must be replaced with size shown. See table on page 10.



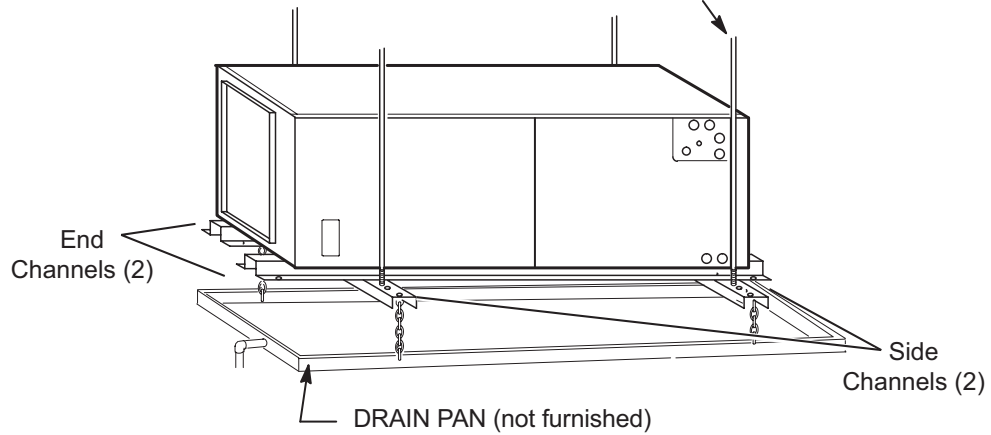
| Dimensions | 024 | | 030 | | 036, 042 | | 048 | | 060 | |
|------------|--------|------|--------|------|----------|------|--------|------|--------|------|
| | in. | mm | in. | mm | in. | mm | in. | mm | in. | mm |
| A | 45-1/2 | 1156 | 47 | 1194 | 53-5/8 | 1362 | 55 | 1397 | 59-3/4 | 1518 |
| B | 18-1/2 | 470 | 18-1/2 | 470 | 21-1/2 | 546 | 21-1/2 | 546 | 21-1/2 | 546 |
| C | 16-1/2 | 419 | 16-1/2 | 419 | 19-1/2 | 495 | 19-1/2 | 495 | 19-1/2 | 495 |
| D | 16-1/4 | 413 | 16-1/4 | 413 | 19-1/4 | 489 | 19-1/4 | 489 | 19-1/4 | 489 |



| Dimensions | 024 | | 030 | | 036, 042 | | 048 | | 060 | |
|------------|--------|------|--------|------|----------|------|--------|------|--------|------|
| | in. | mm | in. | mm | in. | mm | in. | mm | in. | mm |
| A | 45-1/2 | 1156 | 47 | 1194 | 53-5/8 | 1362 | 55 | 1397 | 59-3/4 | 1518 |
| B | 18-1/2 | 470 | 18-1/2 | 470 | 21-1/2 | 546 | 21-1/2 | 546 | 21-1/2 | 546 |
| C | 16-1/2 | 419 | 16-1/2 | 419 | 19-1/2 | 495 | 19-1/2 | 495 | 19-1/2 | 495 |
| D | 16-1/4 | 413 | 16-1/4 | 413 | 19-1/4 | 489 | 19-1/4 | 489 | 19-1/4 | 489 |

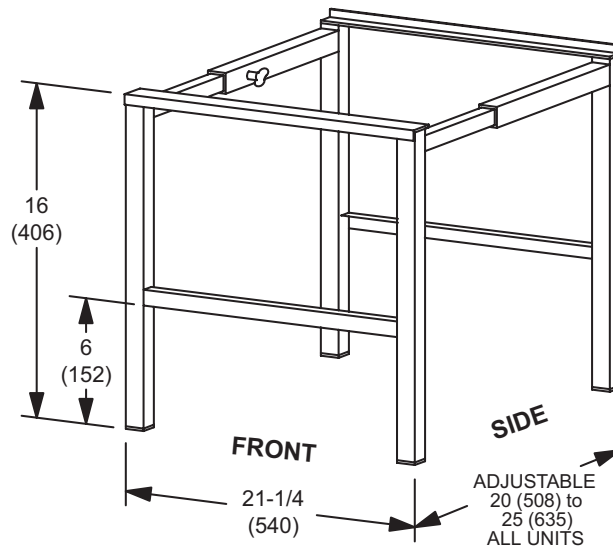
HORIZONTAL SUPPORT FRAME KIT

Suspension Rods (Not furnished)



Includes (2) 1 x 1-1/2 x 32-5/8 in. side channels and (2) 1 x 3 x 53-7/8 in. end channels.

SIDE RETURN UNIT STAND
(Upflow Only)



REVISIONS

| Sections | Description of Change |
|----------------|--|
| Specifications | Added Factory Installed Expansion Valve (TXV) data |



Visit us at www.Lennox.com

For the latest technical information, www.LennoxPros.com

Contact us at 1-800-9-LENNOX

NOTE - Due to Lennox' ongoing commitment to quality, Specifications, Ratings and Dimensions subject to change without notice and without incurring liability. Improper installation, adjustment, alteration, service or maintenance can cause property damage or personal injury. Installation and service must be performed by a qualified installer and servicing agency.

©2025 Lennox Industries, Inc.